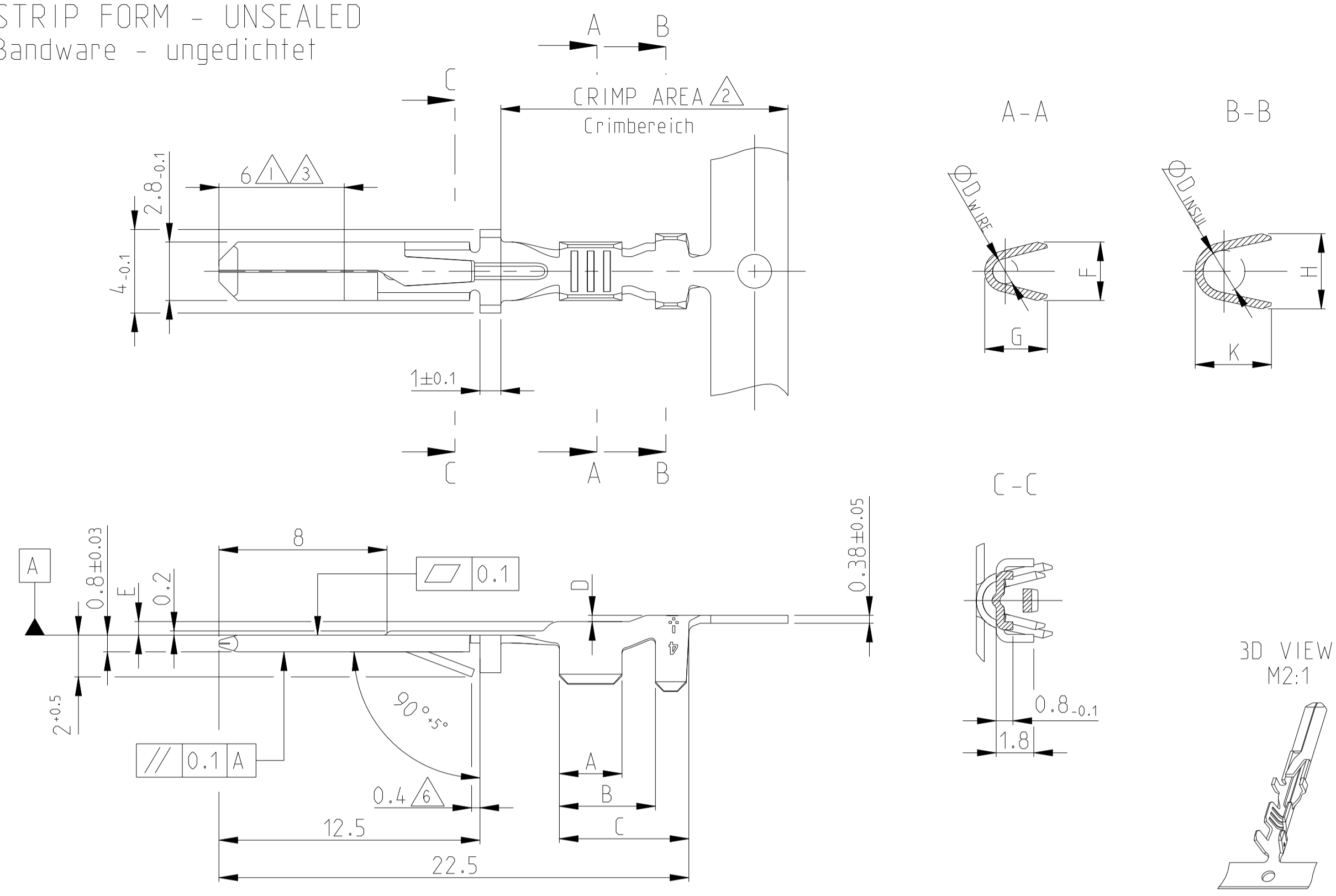
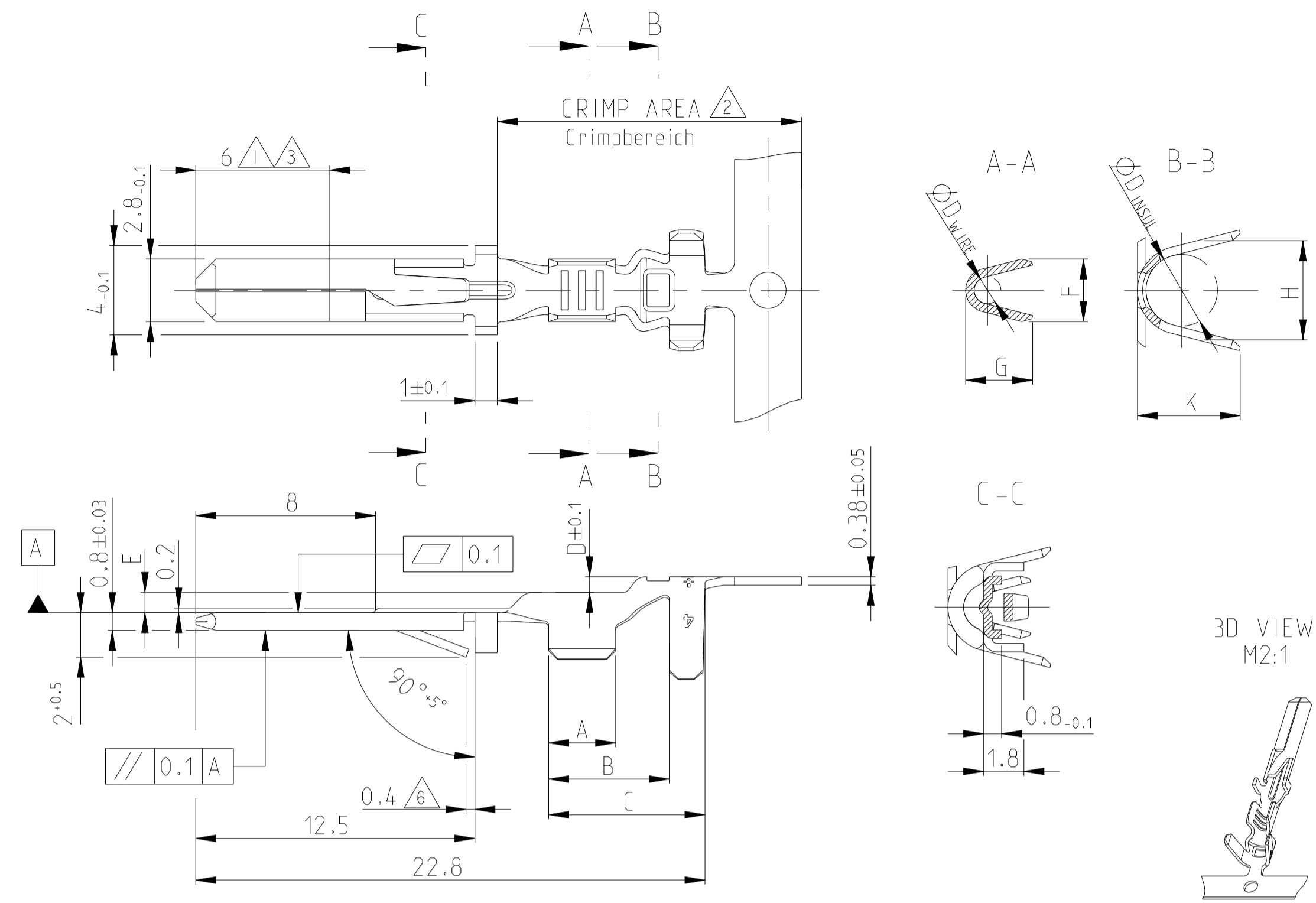


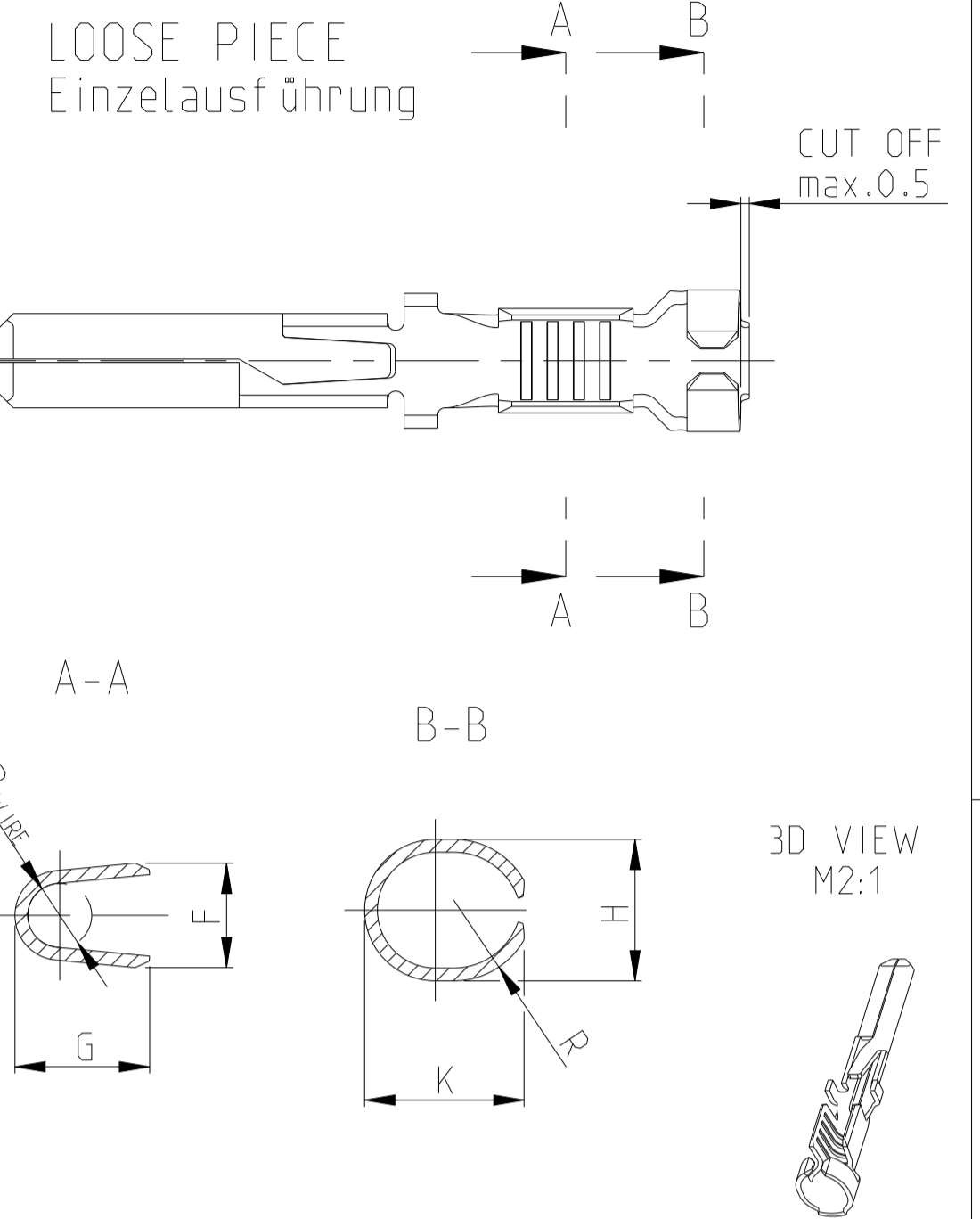
STRIP FORM - UNSEALED  
Bandware - ungedichtet



STRIP FORM - SINGLE WIRE SEAL  
Bandware - Einzel-Dichtung System



REVISIONS					
P	LTN	DESCRIPTION	DATE	DMN	APVD
A6		REVISED PER ECR-20-008867	08JUL2020	BH	E.W
A7		REVISED PER ECR-20-013815	22OCT2020	MK	E.W
AB		REVISED PER ECR-21-100862	11MAR2021	SS	E.W



HAND TOOL Handzange	APPLICATOR Anschlag-WKZ	K	H	R	G	F	D <sub>WIRE</sub>	K	H	D <sub>INSUL</sub>	G	F	D <sub>WIRE</sub>	E	D	C	B	A	REELING	INSULATION RANGE Isolations- durchmesser	WIRE RANGE DGB [mm]	FINISH Oberfläche	MATERIAL	TYCO ORDER No. LOOSE PIECE Einzelausführung	REV	TYCO ORDER No. STRIP FORM Bandware	SINGLE WIRE SEAL/ Einzel-Dichtung									
																											A	B								
N/A	N/A	4.3	4.8	2.8	4.0	3.1	1.7	4.6	5.6	3.6	4.0	3.8	1.7	0.85	0.95	7.5	5.9	3.5	B	∅3.4	1.0 - 2.5 FLR	PRETINNED min.1µm	CuSn4	8 0-965975-5	J	8 0-929949-5	SEL. GOLD PLATED <sup>1</sup> / <sub>2</sub>	CuZn30	8 0-965975-4	J	8 0-929949-4					
N/A	N/A	4.3	4.8	2.8	3.0	2.2	1.2	4.6	5.4	3.2	3.0	2.8	1.2	0.9	0.7	7.0	5.4	3.0	B	∅3.4	0.5 - 1.0 FLR	PLAIN	CuSn4	8 0-965974-7	A	8 0-929948-7	PRETINNED min.1µm	CuZn30	8 0-965975-2	J	8 0-929949-2	SEL. SILVER PLATED <sup>3</sup>	CuZn30	8 0-965975-4	J	8 0-929949-4
2-1579001-1 WITH DIE SET: mit Matrize: 1579001-2	N/A	2.5	2.5	1.4	2.2	2.0	0.8	2.8	2.8	1.4	2.2	2.2	0.8	0.65	0.2	5.7	4.1	2.5	B	∅1.15 - 1.6	0.2 - 0.5 FLR	PRETINNED min.1µm	CuSn4	8 0-963962-5	D	8 0-963961-5	SEL. GOLD PLATED <sup>1</sup> / <sub>2</sub>	CuZn30	8 0-963962-4	D	8 0-963961-4	PLAIN	CuZn30	8 0-963962-3	D	8 0-963961-3
539635-1 WITH DIE SET: mit Matrize: 539743-2	878416-0	3.7	3.1	(1.8)	3.0	2.2	1.2	4.1	3.9	1.8	3.0	2.8	1.2	0.65	0.2	6.2	4.6	3.0	B	∅1.4 - 2.3	0.5 - 1.0 FLR	PRETINNED min.1µm	CuSn4	8 0-928931-5	P	0-928930-5	SEL. GOLD PLATED <sup>1</sup> / <sub>2</sub>	CuZn30	0-928931-4	P	0-928930-4	PLAIN	CuZn30	0-928931-3	P	0-928930-3
169400 WITH DIE SET: mit Matrize: 734262 - 0	878402-0	4.4	3.8	2.3	4.0	3.1	1.8	4.9	4.7	2.6	4.0	3.8	1.8	1.15	0.3	7.2	5.6	4.0	B	∅1.8 - 2.9	1.0 - 2.5 FLR	PRETINNED min.1µm	CuSn4	0-928794-5	R	0-928781-5	SEL. GOLD PLATED <sup>1</sup> / <sub>2</sub>	CuZn30	8 0-928794-4	R	8 0-928781-4	PLAIN	CuZn30	8 0-928794-3	R	8 0-928781-3
N/A	878227-0	4.8	4.2	2.4	4.0	3.1	1.9	5.3	4.8	3.1	4.0	3.8	1.9	1.15	0.4	7.2	5.6	4.0	B	∅2.3 - 3.5 RB-Leitung	1.5 - 3 FLR	PRETINNED min.1µm	CuSn4	8 0-928924-5	R	8 0-927893-5	SEL. SILVER PLATED <sup>3</sup>	CuSn4	8 0-928924-4	R	8 0-927893-4	PLAIN	CuSn4	8 0-928924-3	R	8 0-927893-3
N/A	N/A	3.3	3.1	(1.8)	3.0	2.2	1.2	3.65	3.6	2.0	3.0	2.8	1.2	0.65	0.3	6.2	4.6	3.0	B	∅1.6 - 2.2 RB-Leitung	0.5 - 1.0 FLR	PRETINNED min.1µm	CuSn4	0-928923-5	S	0-927892-5	SEL. SILVER PLATED <sup>3</sup>	CuSn4	8 0-928923-4	S	8 0-927892-4	PLAIN	CuSn4	8 0-928923-3	S	8 0-927892-3
N/A	N/A	3.3	3.1	(1.8)	3.0	2.2	1.2	3.65	3.6	2.0	3.0	2.8	1.2	0.65	0.3	6.2	4.6	3.0	B	∅1.6 - 2.2 RB-Leitung	0.5 - 1.0 FLR	PRETINNED min.1µm	CuZn30	8 0-928924-1	R	8 0-927893-1	SEL. GOLD PLATED <sup>1</sup> / <sub>2</sub>	CuSn4	8 0-928923-2	S	8 0-927892-2	PLAIN	CuSn4	8 0-928923-1	S	8 0-927892-1

NOTES:  
Bemerkungen

- 1 CONTACT AREA min.0.75µm Au OVER min.1.25µm Ni  
Kontaktbereich min.0.75µm Au über min.1.25µm Ni
- 2 CRIMP AREA 1-2µm Sn OVER min.0.05µm Ni  
Crimbereich 1-2µm Sn über min.0.05µm Ni
- 3 Min.3µm Ag IN LOCALIZED AREA. FLASH Ag ON REMAINDER,  
BOTH OVER min.1.25µm Ni  
Min.3µm Ag im lokalisierte Bereich, Rest flashversilbert, beide über min.1.25µm Ni
- 4 ALL VERSIONS SPLICE FREE EXCEPT OF <sup>5</sup>/<sub>9</sub>  
Alle Versionen Splice-free außer <sup>5</sup>/<sub>9</sub>
- 5 SPLICE ACCORDING TO TYCO-SPEC. 118-10107 SPLICE ADDITIONAL MARK  
WITH RED SPLICE-STICKER ON THE INTERLEAVING PAPER AND ON THE REEL  
Splice nach Tyco-Spec. 118-10107 zusätzlich Splice mit rotem Splice-Aufkleber  
auf dem Zwischentagenpapier und auf dem Reel kennzeichnen
- 6 TO BE MEASURED BY DIMENSION 2 mm  
Bei Ausstellung 2 mm
- 7 REELING TYPE
- 8 OBSOLETE
- 9 NUMBER OF SERRATIONS: 4 <sup>10</sup> NUMBER OF SERRATIONS: 2

THIS DRAWING IS A CONTROLLED DOCUMENT.

DIMENSIONS: mm	TOLERANCES UNLESS OTHERWISE SPECIFIED: ISO 2768-H E	DMN T. Konecny 21AUG2006	CHK P.Hasek 60CT2006	<b>TE</b> TE Connectivity	
MATERIAL: see table siehe Tabelle	FINISH: see table siehe Tabelle	APVD R.Vlcek 90CT2006	PRODUCT SPEC 108-18299	NAME PRODUCT GROUP DRAWING FOR 2.8 mm FASTIN-FASTON <sup>®</sup> TAB	RESTRICTED TO
CUSTOMER DRAWING		SCALE 5:1	WEIGHT -	SHEET 1	OF 1 REV A8

# Mouser Electronics

Authorized Distributor

Click to View Pricing, Inventory, Delivery & Lifecycle Information:

[TE Connectivity:](#)

[963961-2](#)