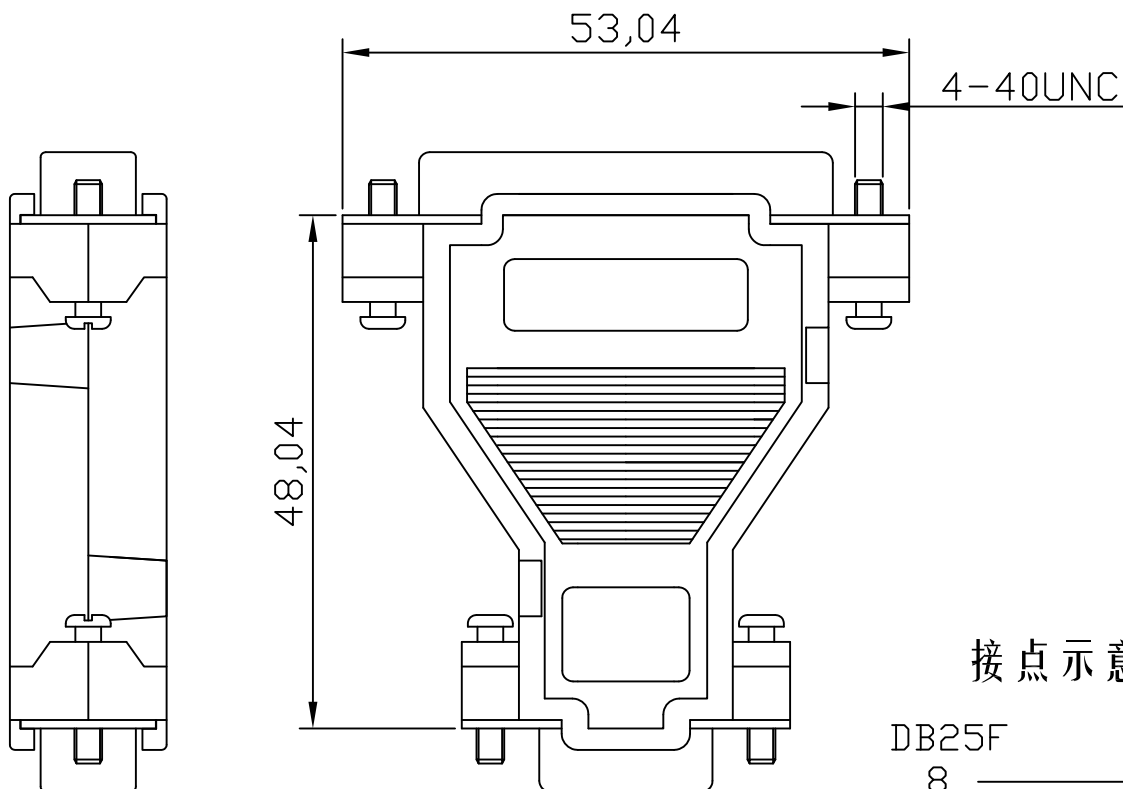
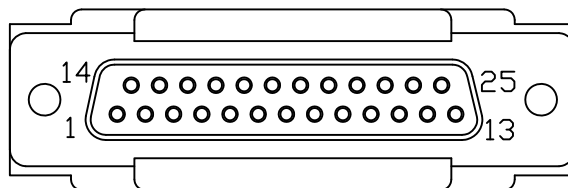


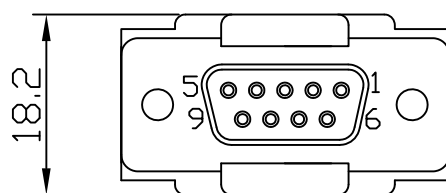
DB25F



接点示意

DB25F	DB9F
8	1
3	2
2	3
20	4
7	5
6	6
4	7
5	8
22	9
SHELL	SHELL

DB9F



NOTE:

1、DB25F、DB9F: Blue plastic core

设计/Designed by	绘图/Drawing by	审核/Checked by	批准/Approved by	未注公差 General Tolerance	
		图名/File name	文件编号/File No.	x. ±0.2	x.° ±2°
		XYA005-B DB9F/25F ASSY adaptor	页序/Sheet	.x ±0.1	.x° ±1°
		备注/Remark	XYA005-B	.xx ±0.05	.xx° ±0.5°
				.xxx ±0.01	
				单位/units: mm	