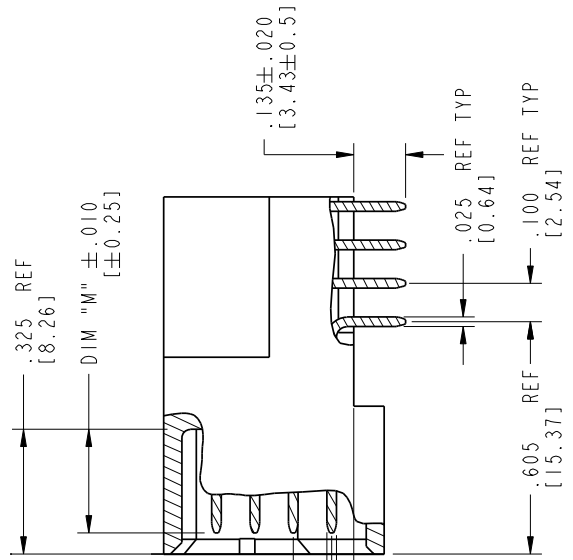
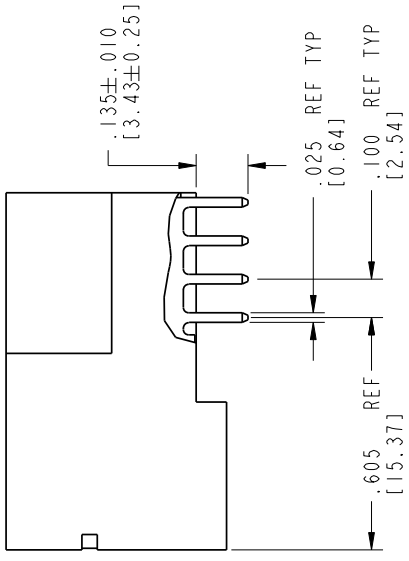


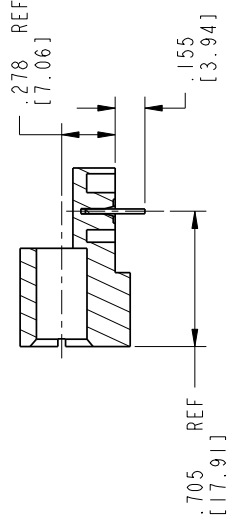
PRODUCT NUMBER
51862-001--
NOTE: 3



BROKEN-OUT SECTION A-A
SCALE 2:1



BROKEN-OUT SECTION B-B
SCALE 2:1



SECTION C-C

mat'l code		SEE NOTE 2		Tolerances unless otherwise specified		CUSTOMER					
lir	ecn no.	dr	date	linear	angles	dr	engr	chr	appa	revision	sheet
C				.XX±.01/0.X±0.3	0°±2°						
				.XXX±.005/0.XX±0.13							
				.XXX±.0020/0.XXX±0.051							
				J. SHAFFER 05-20-02							
				M. MOSTOLLER 05-20-02							
				M. MOSTOLLER 05-20-02							
				M. MOSTOLLER 05-20-02							
sheet index											

1 | 2
3 | 4
A
B

Tous droits strictement reserves. Reproduction ou communication a des tiers interdite sans quelque forme que ce soit sans autorisation ecrite du proprietaire. Propriete de c FCI. Droits de reproduction FCI.



All rights strictly reserved. Reproduction or issue to third parties in any form whatever is not permitted without written authority from the proprietor. Property of FCI. Copyright FCI.

Pro/E

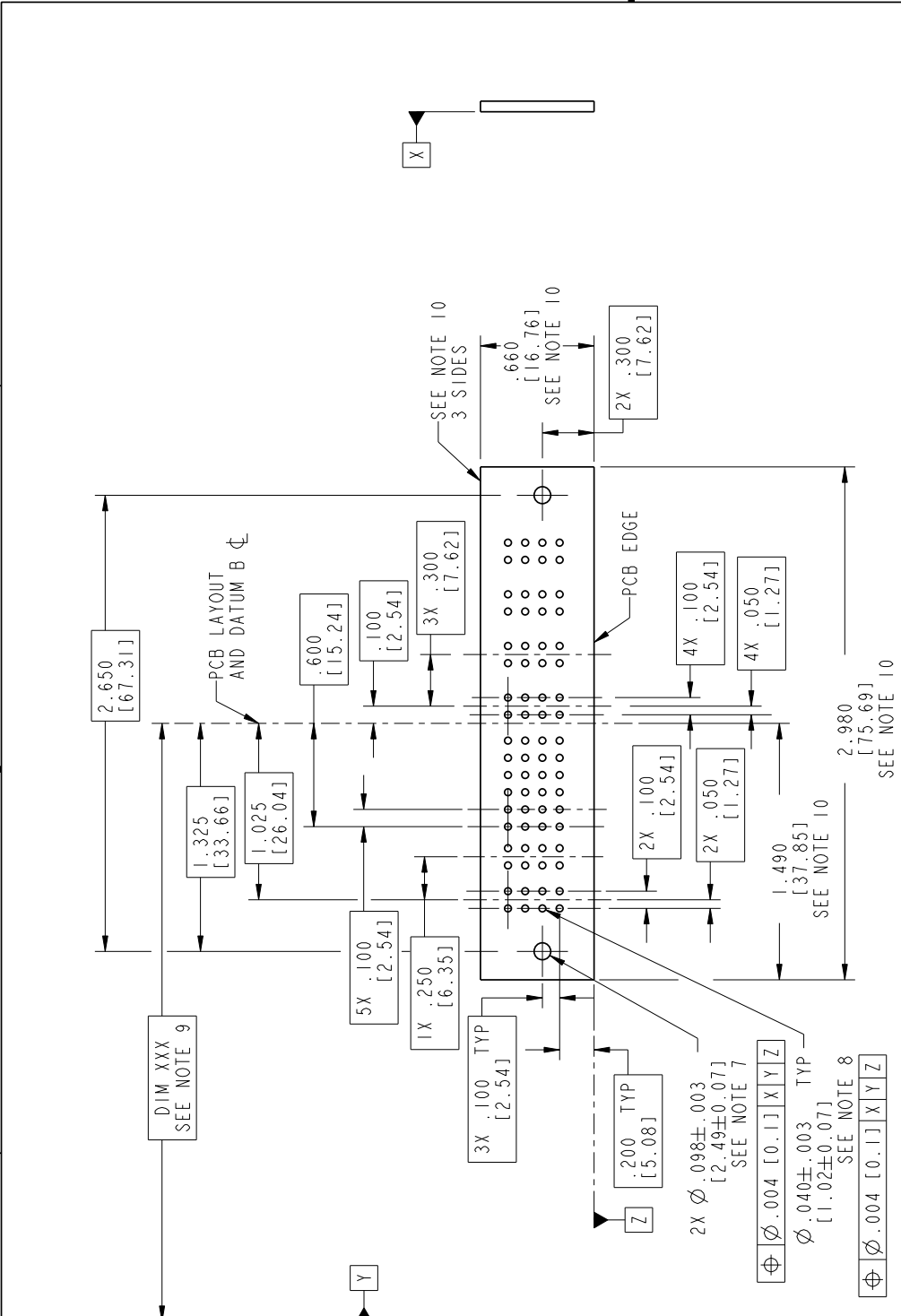
PDM: Rev:0

STATUS: Released

Printed: Dec 20, 2010

PRODUCT NUMBER
51862-001--
NOTE: 3

Tous droits strictement reserves. Reproduction ou communication a des tiers interdite
sous quelque forme que ce soit sans autorisation écrite du propriétaire.
Propriete de c FCI. Droits de reproduction FCI.



RECOMMENDED PCB LAYOUT

mat'l code		SEE NOTE 2		tolerances unless otherwise specified		CUSTOMER	
lir	ecn no.	dr	date	linear	angles	dr	engr
C				.XX±.01/0.X±0.3	0°±2°		
				.XX±.005/0.X±0.13			
				.XX±.0020/0.XX±0.051			
				J. SHAFFER 05-20-02			
				M. MOSTOLLER 05-20-02			
				M. MOSTOLLER 05-20-02			
				M. MOSTOLLER 05-20-02			
sheet index	revision	sheet					

A		FCI		www.fciconnect.com	
title	2P + 24S + 4P	product family	PwrBlade	code	213
RIGHT ANGLE SOLDER HEADER		size	51862-001	sheet	3 of 4

