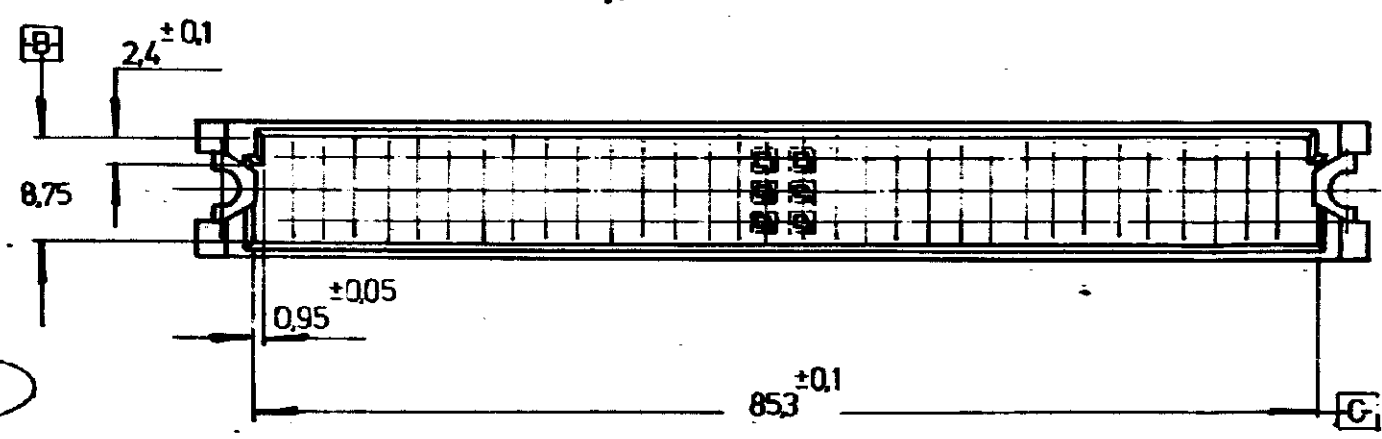
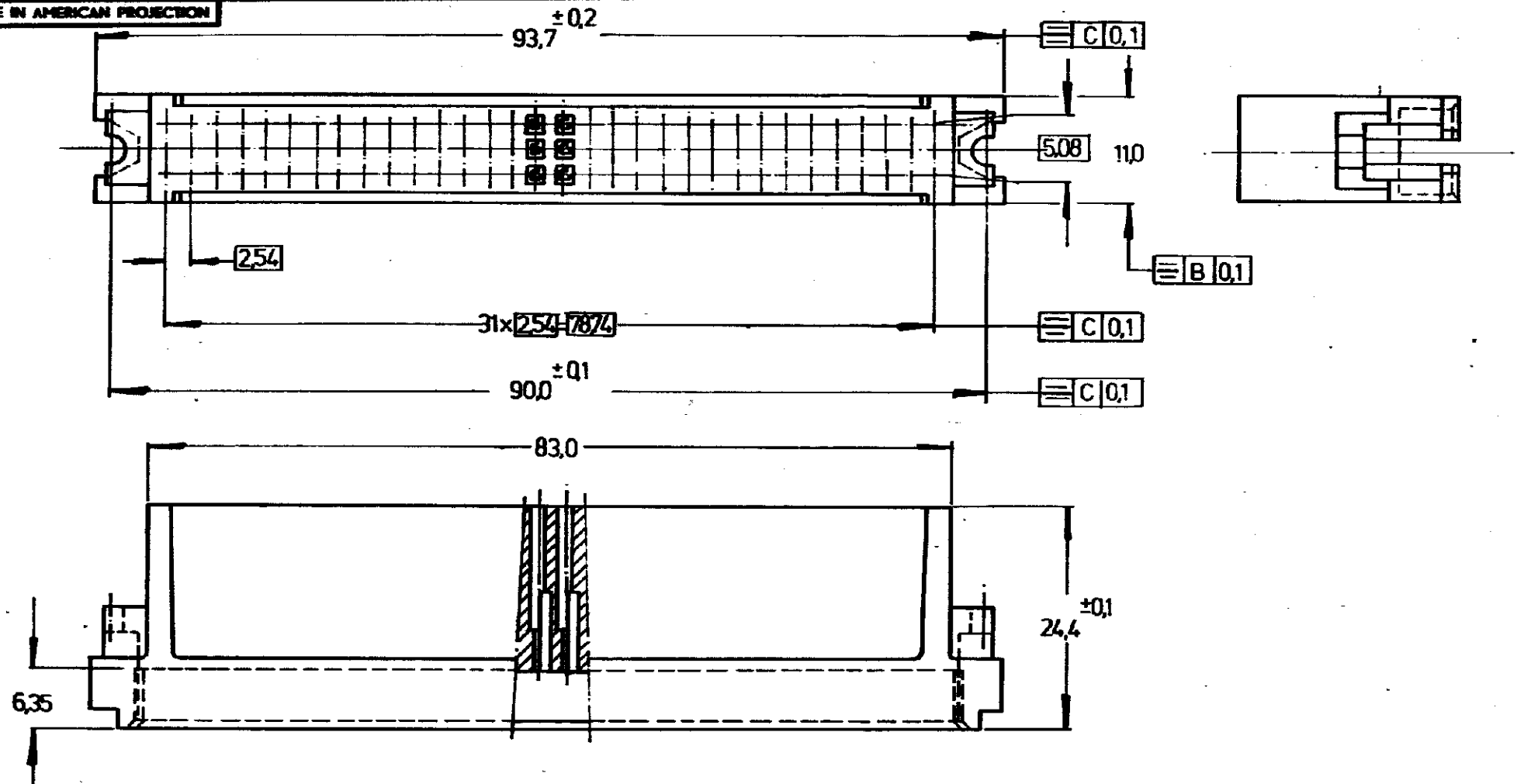


DRAWING MADE IN AMERICAN PROJECTION



DIMENSIONS IN M.M. DO NOT SCALE PRINT

166467-1	Glassfilled Polyester	Steel
ORDER NO.	MATERIAL	PLATING
CUSTOMER COPY FOR REFERENCE ONLY		
DR <i>C.F. Swinson 30th June 60</i>	DATE	© 1960 BY AMP-HOLLAND N.V. ALL RIGHTS RESERVED A-MP PRODUCTS COVERED BY PATENTS AND/OR PATENTS PENDING.
CHK	DATE	
DE	DATE	AMP
APP <i>[Signature]</i>	DATE 30.6.60	AMP - HOLLAND N.V. 's-Hertogenbosch
WIRE-RANGE	INSUL-RANGE	FIRST USED
SCALE 2:1	SIZE B	NO C_166467_E
NAME 96 POC. I.E.C. C MALE "COSI" HSG		REV 8

NUMBER
C_166467-E

AMP 12534 8 7 6 5 4 3 2 1

NOT the LATEST REVISION