

PLEASE CHECK WWW.MOLEX.COM FOR LATEST PART INFORMATION

Part Number: [0008700042](#)
Status: **Active**
Description: 4.80mm Pitch Crimp Terminal, Female, Bag

Documents:

Drawing (PDF)	Product Specification PS-5025-002 (PDF)
Product Specification PS-5025-001 (PDF)	RoHS Certificate of Compliance (PDF)

General

Product Family	Crimp Terminals
Series	5005
Application	Power
Crimp Quality Equipment	Yes
Product Name	N/A
UPC	800753619081

Physical

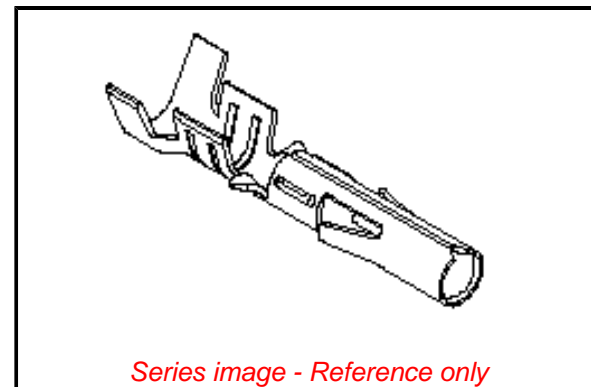
Gender	Female
Material - Metal	Brass
Material - Plating Mating	Tin
Material - Plating Termination	Tin
Net Weight	150.200/mg
Packaging Type	Bag
Plating min - Mating	0.889µm
Plating min - Termination	0.889µm
Termination Interface: Style	Crimp or Compression
Wire Insulation Diameter	1.30-3.00mm
Wire Size AWG	18, 20, 22, 24
Wire Size mm ²	N/A

Material Info

Engineering Number	5005TL
--------------------	--------

Reference - Drawing Numbers

Crimp Specification	CS-5005~5006
Product Specification	PS-5025-001, PS-5025-002
Sales Drawing	SD-5005X



EU ELV

Not Relevant

EU RoHS

Compliant

REACH SVHC

Not Contained Per
-ED/88/2018 (15
January 2019)

Halogen-Free

Status

Low-Halogen

For more information, please visit [Contact US](#)

China ROHS

ELV

RoHS Phthalates

China RoHS

Green Image

Not Relevant

Not Contained

Search Parts in this Series

[5005 Series](#)

Mates With

[5006](#)

Use With

[5025 Receptacle](#)

Application Tooling | FAQ

Tooling specifications and manuals are found by selecting the products below. Crimp Height Specifications are then contained in the Application Tooling Specification document.

Global

Description	Product #
--------------------	------------------

Hand Crimp Tool for	638191300
Standard 1.57mm	
Pin and Socket	
Crimp Terminals,	
18-24 AWG	

This document was generated on 02/27/2019

PLEASE CHECK WWW.MOLEX.COM FOR LATEST PART INFORMATION