

SIZE 1 ASSY KIT .200 ✓ ACTIVE

AMPLIMITE | AMPLIMITE Kit

TE Part # 5745171-2

TE Internal #: 5745171-2

[View on TE.com >](#)



Connectors > D-Shaped Connectors > D-Sub Accessories > D-Sub Backshells & Clamps



Accessory Type: **Cable Clamp**

Cable Clamp Type: **Two-Piece RFI/EMI Shield**

Number of Positions: **9**

Shell Size: **1**

Shielded: **Yes**

Features

Product Type Features

Grommets	Without
Product Type	Accessory
Accessory Type	Cable Clamp
Shell Size	1
Shielded	Yes
Connector & Contact Terminates To	Wire & Cable

Configuration Features

Number of Positions	9
---------------------	---

Body Features

Shield Plating Material	Nickel over Copper
Cable Clamp Material	Die Cast
Shield Plating Finish	Bright
Cable Clamp Type	Two-Piece RFI/EMI Shield
Cable Exit Angle	180

Mechanical Attachment



Screw & Hole Thread Size	4-40
--------------------------	------

Dimensions

Cable Insulation Diameter	5.08 mm[.2 in]
---------------------------	----------------

Packaging Features

Packaging Quantity	1
Packaging Method	Bag

Other

Comment	All parts are packaged unassembled., Jackscrews must be purchased separately., Shielded cable clamps will not accept connector housings with clinch nuts.
---------	---

Long Turnable Jackscrew Part Number	747784-3
-------------------------------------	----------

Product Compliance

[For compliance documentation, visit the product page on TE.com>](#)

EU RoHS Directive 2011/65/EU	Compliant
EU ELV Directive 2000/53/EC	Compliant
China RoHS 2 Directive MIIT Order No 32, 2016	No Restricted Materials Above Threshold
EU REACH Regulation (EC) No. 1907/2006	Current ECHA Candidate List: JAN 2019 (197) Candidate List Declared Against: JAN 2019 (197)
Halogen Content	BFR/CFR/PVC Free, but Br/Cl >900 ppm in other sources.
Solder Process Capability	Not applicable for solder process capability

Product Compliance Disclaimer

This information is provided based on reasonable inquiry of our suppliers and represents our current actual knowledge based on the information they provided. This information is subject to change. The part numbers that TE has identified as EU RoHS compliant have a maximum concentration of 0.1% by weight in homogenous materials for lead, hexavalent chromium, mercury, PBB, PBDE, DBP, BBP, DEHP, DIBP, and 0.01% for cadmium, or qualify for an exemption to these limits as defined in the Annexes of Directive 2011/65/EU (RoHS2). Finished electrical and electronic equipment products will be CE marked as required by Directive 2011/65/EU. Components may not be CE marked. Additionally, the part numbers that TE has identified as EU ELV compliant have a maximum concentration of 0.1% by weight in homogenous materials for lead, hexavalent chromium, and mercury, and 0.01% for cadmium, or qualify for an exemption to these limits as defined in the Annexes of Directive 2000/53/EC (ELV). Regarding the REACH Regulations, TE's information on SVHC in articles for this part number is still based on the European Chemical Agency (ECHA) 'Guidance on requirements for substances in articles' (Version: 2, April 2011), applying the 0.1% weight on weight concentration threshold at the finished product level. TE is aware of the European Court of Justice ruling of September 10th, 2015 also known as O5A (Once An Article Always An Article) stating that, in case of 'complex object', the threshold for a SVHC must be applied to both the product as a whole and simultaneously to each of the articles forming part of its composition. TE has evaluated this ruling based on the new ECHA "Guidance on requirements for substances in articles" (June 2017, version 4.0) and will be updating its statements accordingly.

Compatible Parts

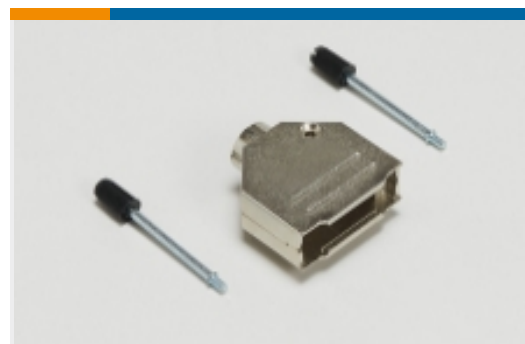


TE Part # 745255-2
SPRING LATCH 2/BAG



TE Part # 745508-2
FERRULE SPLIT RING, HD

Also in the Series | AMPLIMITE Kit



D-Sub Backshells & Clamps
(140)



D-Sub Contact Accessories
(1)



D-Sub Covers(3)



D-Sub Locking & Mounting
(122)

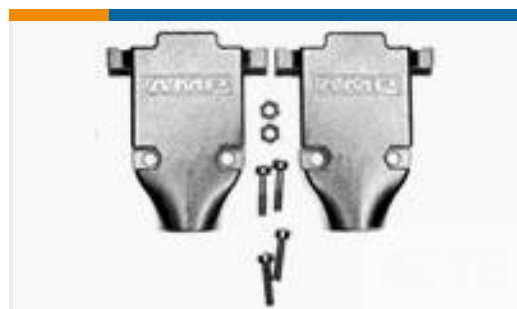
Customers Also Bought



TE Part #5745173-5
CABLE CLAMP KIT,SZ 3



TE Part #1658641-2
HDP-20,PLUG,SIZE 5, 50
POSN



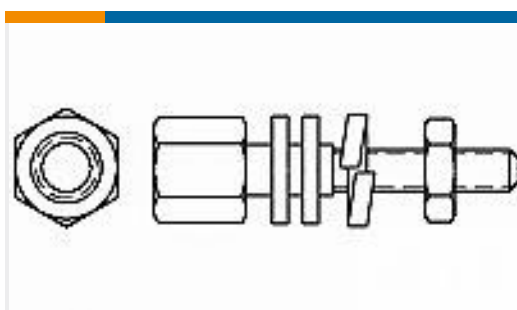
TE Part #5745172-2
15 POS STRAIN RELIEF KIT



TE Part #5745171-1
SIZE 1 ASSY KIT .250



TE Part #205204-8
HDP-20,PLUG,SIZE 1, 9
POSN



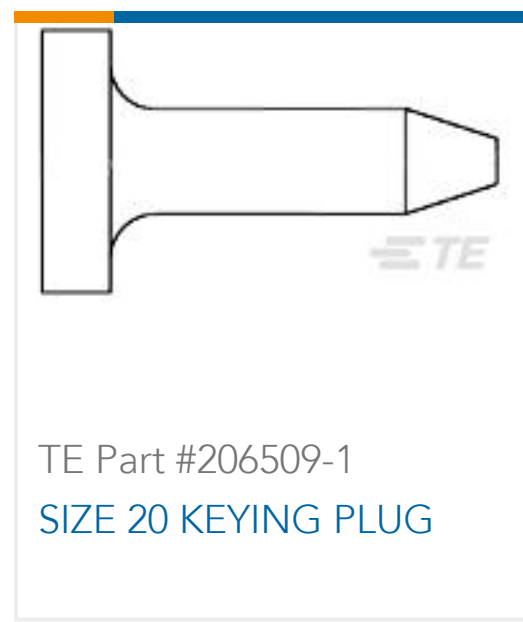
TE Part #5747223-3
AMPLI FEM S'LOCK KIT



TE Part #1658642-1
HDP-20,PLUG,SIZE 1, 9
POSN,CLI



TE Part #747784-8
JACKSCREW KIT,4-40,
BULK



Documents

Product Drawings

[SIZE 1 ASSY KIT .200](#)

English

CAD Files

Customer View Model

[ENG_CVM_5745171-2_O1.2d_dxf.zip](#)

English

Customer View Model

[ENG_CVM_5745171-2_O1.3d_igs.zip](#)

English

Customer View Model

[ENG_CVM_5745171-2_O1.3d_stp.zip](#)

English

3D PDF

English

Datasheets & Catalog Pages

[AMPLIMITE Subminiature D Connectors - Cable Connectors](#)

English

Product Specifications

[Product Specification](#)

English

Product Environmental Compliance

[TE Material Declaration](#)

English

Instruction Sheets

[Instruction Sheet \(U.S.\)](#)

English