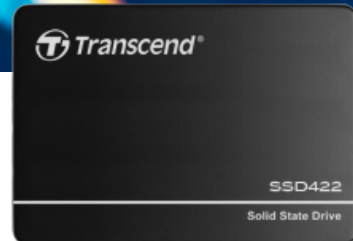


Embedded Solutions



2.5" SATA SSDs

SSD422K

Featuring the SATA III 6Gb/s interface, a powerful controller, and top-tier MLC NAND flash chips, Transcend's SSD422K ensures impeccable performance and reliability.

Hardware Features

- Compliant with RoHS 2.0 standards
- MLC NAND flash
- DDR3 DRAM Cache embedded

Firmware Features

- Supports S.M.A.R.T. function to conduct health monitoring, analysis, and reporting for storage devices
- Built-in BCH ECC (Error Correction Code) functionality
- Advanced Global Wear-Leveling and Block management for reliability
- Power-saving DevSleep (Device Sleep) mode

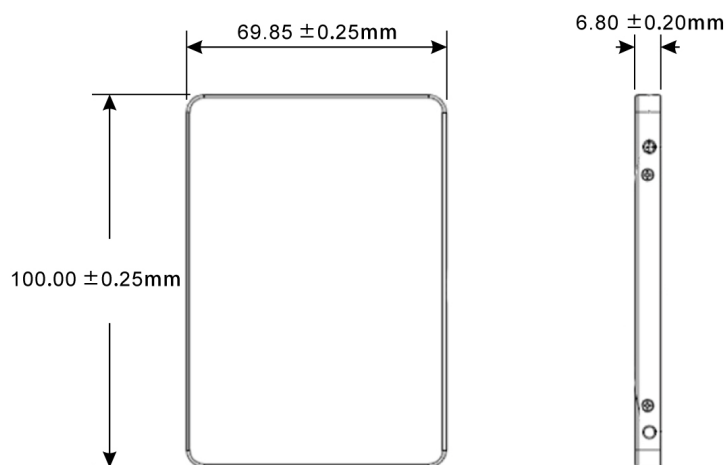
Ordering Information

32GB	TS32GSSD422K
64GB	TS64GSSD422K
128GB	TS128GSSD422K
256GB	TS256GSSD422K
512GB	TS512GSSD422K
1TB	TS1TSSD422K

Specifications

Appearance	Dimensions	100 mm x 69.85 mm x 6.8 mm (3.94" x 2.75" x 0.27")
	Weight	63 g (2.22 oz)
	Form Factor	2.5"
Interface	Bus Interface	SATA III 6Gb/s
Storage	Flash Type	MLC NAND flash
	Capacity	32 GB / 64 GB / 128 GB / 256 GB / 512 GB / 1 TB
Operating Environment	Operating Voltage	5V±5%
	Operating Temperature	Standard 0°C (32°F) ~ 70°C (158°F)
	Storage Temperature	-40°C (-40°F) ~ 85°C (185°F)
	Humidity	0% ~ 95%
	Shock	1500 G, 0.5 ms, 3 axis
	Vibration (Operating)	20 G (peak-to-peak), 7 Hz ~ 2000 Hz (frequency)
Power	Power Consumption (Operation)	3.2 watt(s)
	Power Consumption (Sleep)	0.6 watt(s)
Performance	Sequential Read/Write (CrystalDiskMark)	Read: up to 550 MB/s Write: up to 460 MB/s
	4K Random Read/Write (IOMeter)	Read: up to 68,000 IOPS Write: up to 68,000 IOPS
	Mean Time Between Failures (MTBF)	2,000,000 hour(s)
	Terabytes Written (TBW)	up to 2940 TBW
	Drive Writes Per Day (DWPD)	2.6 (3 yrs)
Warranty	Certificate	CE / FCC / BSMI / UKCA
	Warranty	Three-year Limited Warranty

Mechanical Dimensions



Product specifications are subject to change without notice. Pictures shown may differ from actual products. Total accessible capacity varies depending on operating environment. Due to the complexity and variety of industrial applications, Transcend cannot guarantee 100% compatibility with all platforms and under all scenarios. For special applications and environments, it is strongly suggested that you contact Transcend beforehand for clarification.