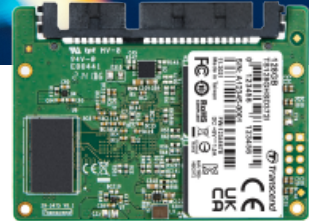


Embedded Solutions



Half-Slim SSDs

HSD372M & HSD372I

Equipped with the SATA III 6Gb/s interface and a powerful controller, Transcend's HSD372M Half-Slim SSDs deliver outstanding transfer speeds in a compact form factor. Following the MO-297 standard set by JEDEC, SATA III 6Gb/s half-slim SSD modules undergo extensive reliability testing to ensure the utmost quality and performance, best suited to read-heavy applications and space-limited mobile devices such as industrial control systems, medical equipment, mobile devices, and POS terminals.

Transcend also offers the HSD372I with wide temperature (-40°C ~ 85°C) capabilities to ensure sustained functionality, enhanced endurance and optimal reliability in mission-critical applications.

Hardware Features

- MLC NAND flash
- DDR3 DRAM Cache embedded
- Promised operational reliability in a wide temperature range (from -40°C to 85°C)
- Compliant with RoHS 2.0 standards
- Key components fortified by default with Corner Bond technology

Firmware Features

- NCQ command for better performance
- TRIM command for better performance
- Built-in BCH ECC (Error Correction Code) functionality
- Supports S.M.A.R.T. function to conduct health monitoring, analysis, and reporting for storage devices
- Advanced Garbage Collection

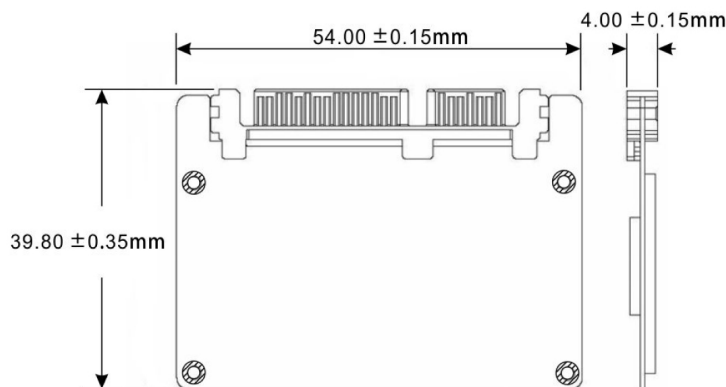
Ordering Information

16GB	TS16GHSD372I TS16GHSD372M
32GB	TS32GHSD372I TS32GHSD372M
64GB	TS64GHSD372I TS64GHSD372M
128GB	TS128GHSD372I TS128GHSD372M

Specifications

Appearance	Dimensions	54 mm x 39.8 mm x 4 mm (2.13" x 1.57" x 0.15")
	Weight	9 g (0.32 oz)
	Pin Count	7+15 pin
	Form Factor	Half-slim (MO-297)
Interface	Bus Interface	SATA III 6Gb/s
Storage	Flash Type	MLC NAND flash
	Capacity	16 GB / 32 GB / 64 GB / 128 GB
Operating Environment	Operating Voltage	5V±5%
	Operating Temperature	Standard Temp. 0°C (32°F) ~ 70°C (158°F)
		Wide Temp. -40°C (-40°F) ~ 85°C (185°F)
	Storage Temperature	-40°C (-40°F) ~ 85°C (185°F)
	Humidity	5% ~ 95%
	Shock	1500 G, 0.5 ms, 3 axis
	Vibration (Operating)	20 G (peak-to-peak), 7 Hz ~ 2000 Hz (frequency)
Power	Power Consumption (Operation)	1.85 watt(s)
	Power Consumption (Sleep)	0.38 watt(s)
Performance	Sequential Read/Write (CrystalDiskMark)	Read: up to 530 MB/s Write: up to 200 MB/s
	4K Random Read/Write (IOMeter)	Read: up to 70,000 IOPS Write: up to 50,000 IOPS
	Mean Time Between Failures (MTBF)	2,500,000 hour(s)
	Terabytes Written (TBW)	up to 360 TBW
	Drive Writes Per Day (DWPD)	2.6 (3 yrs)
Warranty	Certificate	CE / FCC / BSMI / UKCA
	Warranty	Three-year Limited Warranty

Mechanical Dimensions



Product specifications are subject to change without notice. Pictures shown may differ from actual products. Total accessible capacity varies depending on operating environment. Due to the complexity and variety of industrial applications, Transcend cannot guarantee 100% compatibility with all platforms and under all scenarios. For special applications and environments, it is strongly suggested that you contact Transcend beforehand for clarification.