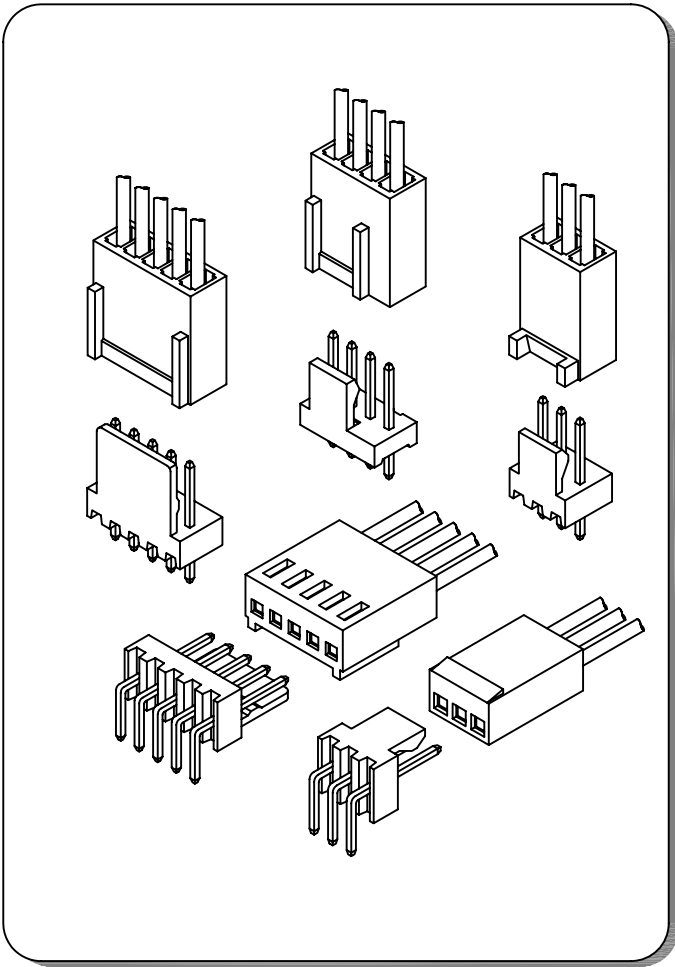


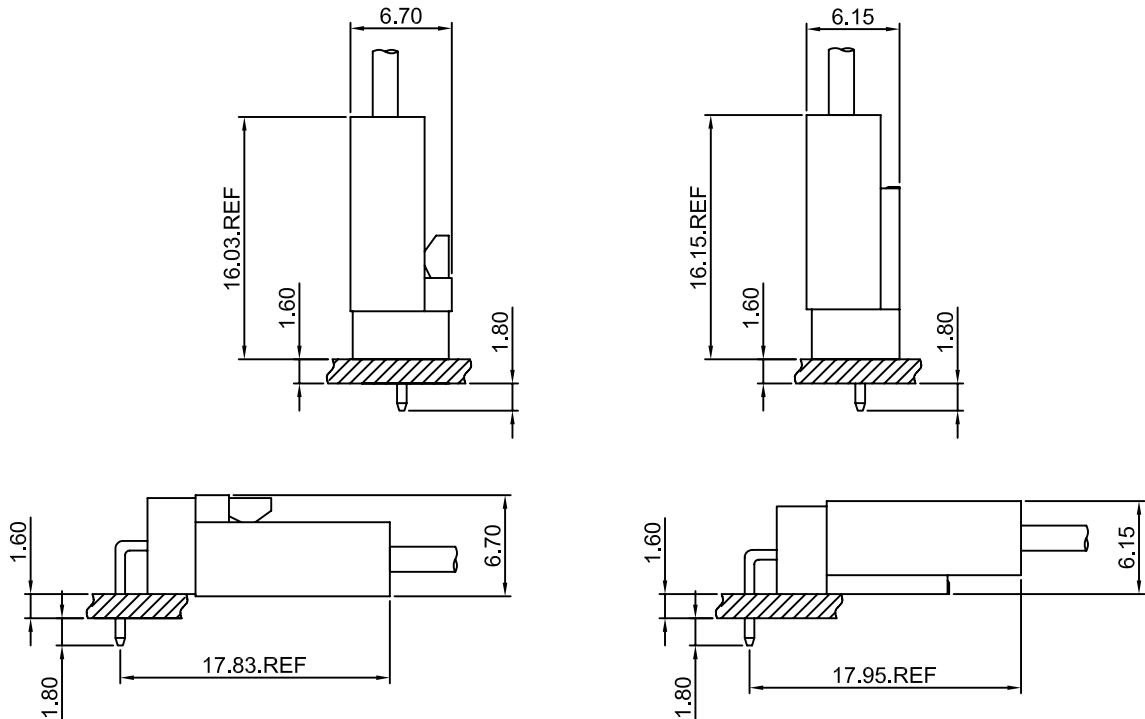
Specifications

- Current rating:4A AC,DC
- Voltage rating:250V AC,DC
- Temperature range:-40°C~+105°C
- Contact resistance:10mΩMax.
- Insulation resistance:1000MΩMin.
- Withstanding voltage:1000V AC/minute
- *Compliant with RoHS and REACH*
- *Meet the HF/Halogen Free,need to customize*
- *Contact CJT for details*

Standards



Assembly layout



CJT_{CONN} A2543 SERIES

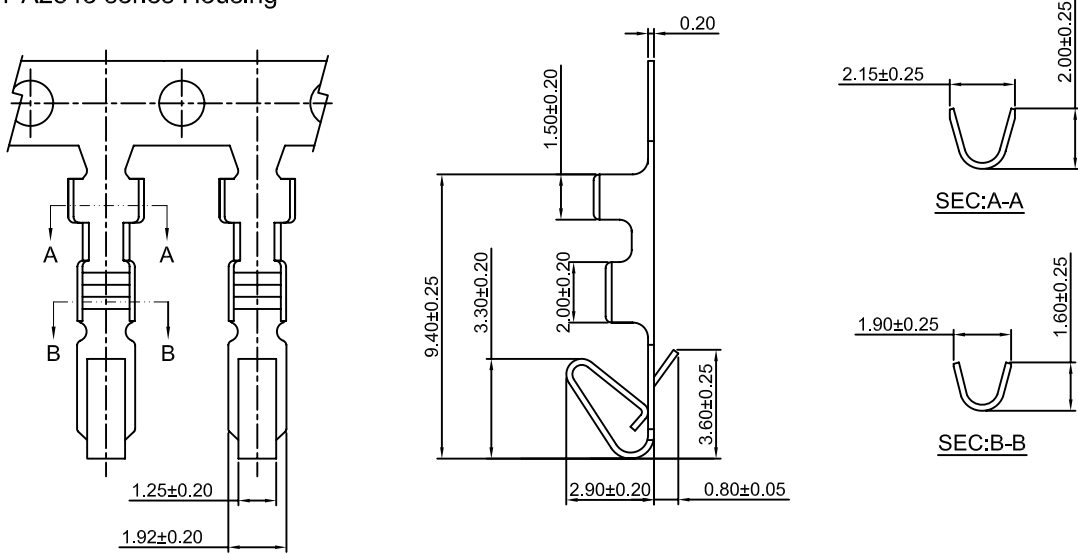
2.54mm pitch wire to board connector

A2543-T

2.54mm Pitch Crimp Terminal

Reference Informations:

*Used in CJT A2543 series Housing



Ordering information & Specifications:

Unit:mm

Part NO.	Wire Range	Insulation O.D.	Material	Finish	Qty/reel
A2543-TB	AWG#22-#28	1.90mm(max)	Brass	Tin over Nickel	10,000 PCS
A2543-TP	AWG#22-#28	1.90mm(max)	Phosphor Bronze	Tin over Nickel	10,000 PCS
A2543-GB	AWG#22-#28	1.90mm(max)	Brass	Gold over Nickel	10,000 PCS
A2543-GP	AWG#22-#28	1.90mm(max)	Phosphor Bronze	Gold over Nickel	10,000 PCS

Optional Gold plating available but MOQ requested

A2543H-XP

2.54mm Pitch Housing

Reference Informations:

*Material:Nylon 66 ,UL94V-0

*Suitable CJT A2543 series Terminal

*Mates with CJT A2543 series Wafer

*Color:Beige or White

Ordering Information:

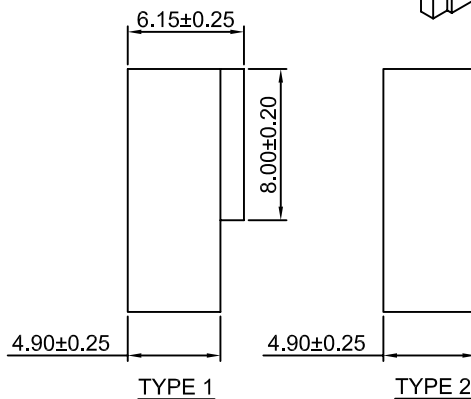
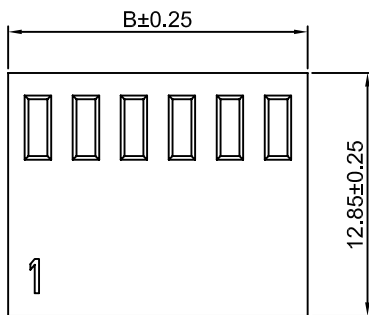
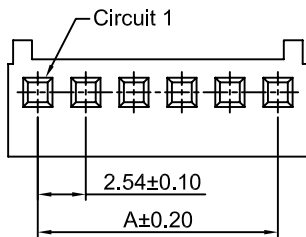
A2543H-XP - **

1.Part No.

2.Style:

(blank) :Type 1/Beige

2 :Type 2/White



Ordering Information & Dimensions:

PART NO.	Dimensions	
	A	B
2P	2.54	5.68
3P	5.08	8.22
4P	7.62	10.76
5P	10.16	13.30
6P	12.70	15.84
7P	15.24	18.38
8P	17.78	20.92
9P	20.32	23.46
10P	22.86	26.00
11P	25.40	28.54
12P	27.94	31.08
13P	30.48	33.62
14P	33.02	36.16
15P	35.56	38.70
16P	38.10	41.24
17P	40.64	43.78
18P	43.18	46.32
19P	45.72	48.86
20P	48.26	51.40
21P	50.80	53.94
22P	53.34	56.48
23P	55.88	59.02
24P	58.42	61.56
25P	60.96	64.10

Unit: mm

CJTconn A2543 SERIES

2.54mm pitch wire to board connector

A2543HA-XP

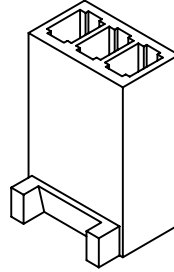
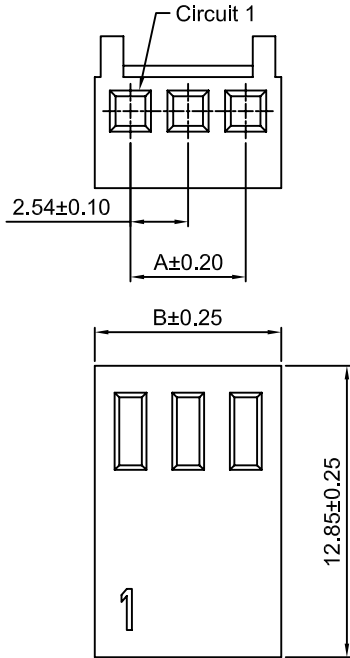
2.54mm Pitch Housing

Reference Informations:

- *Material:Nylon 66 ,UL94V-0
- *Suitable CJT A2543 series Terminal
- *Mates with CJT A2543 series Wafer
- *Color: Brown

Ordering Information:

- A2543HA-XP - **
1 2
- 1.Part No.
 - 2.Color:
(blank):Brown
WH:White



Ordering Information & Dimensions:

PART NO.	Dimensions	
	A	B
2P	2.54	5.68
3P	5.08	8.22
4P	7.62	10.76
5P	10.16	13.30
6P	12.70	15.84
7P	15.24	18.38
8P	17.78	20.92
9P	20.32	23.46
10P	22.86	26.00
11P	25.40	28.54
12P	27.94	31.08
13P	30.48	33.62
14P	33.02	36.16
15P	35.56	38.70
16P	38.10	41.24
17P	40.64	43.78
18P	43.18	46.32
19P	45.72	48.86
20P	48.26	51.40
21P	50.80	53.94
22P	53.34	56.48
23P	55.88	59.02
24P	58.42	61.56
25P	60.96	64.10

Unit: mm

A2543HB-XP

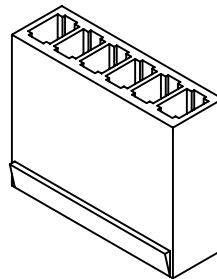
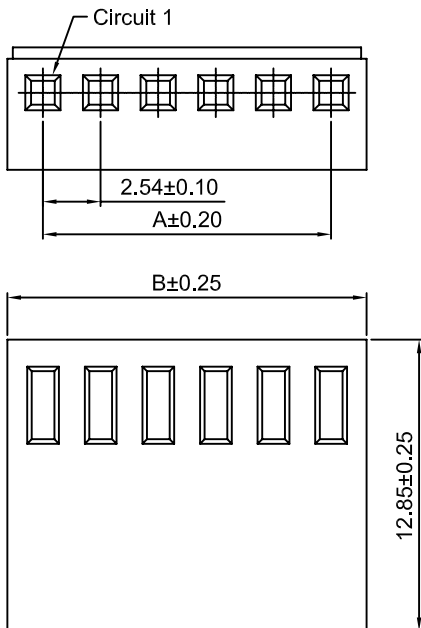
2.54mm Pitch Housing

Reference Informations:

- *Material:Nylon 66 ,UL94V-0
- *Suitable CJT A2543 series Terminal
- *Mates with CJT A2543 series Wafer
- *Color:Brown

Ordering Information:

- A2543HB-XP - **
1 2
- 1.Part No.
 - 2.Color:
(blank):Brown
WH:White



Ordering Information & Dimensions:

PART NO.	Dimensions	
	A	B
2P	2.54	5.68
3P	5.08	8.22
4P	7.62	10.76
5P	10.16	13.30
6P	12.70	15.84
7P	15.24	18.38
8P	17.78	20.92
9P	20.32	23.46
10P	22.86	26.00
11P	25.40	28.54
12P	27.94	31.08
13P	30.48	33.62
14P	33.02	36.16
15P	35.56	38.70
16P	38.10	41.24
17P	40.64	43.78
18P	43.18	46.32
19P	45.72	48.86
20P	48.26	51.40
21P	50.80	53.94
22P	53.34	56.48
23P	55.88	59.02
24P	58.42	61.56
25P	60.96	64.10

Unit: mm

CJT_{CONN} A2543 SERIES

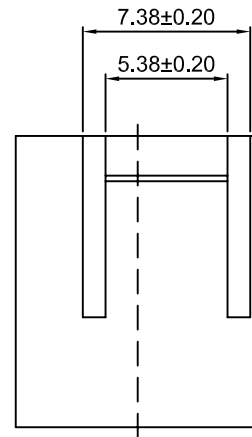
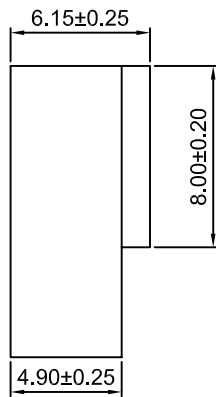
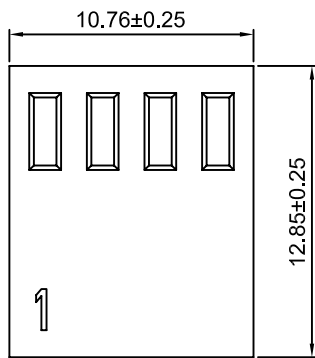
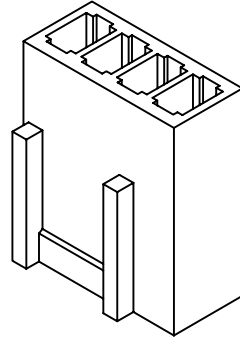
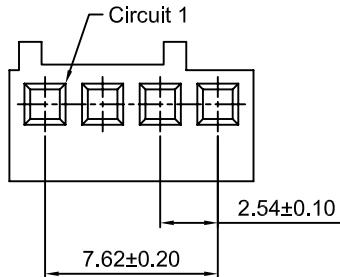
2.54mm pitch wire to board connector

A2543HC-4P

2.54mm Pitch Housing

Reference Informations:

- *Material:Nylon 66 ,UL94V-0
- *Suitable CJT A2543 series Terminal
- *Mates with CJT A2543WVC series Wafer
- *Color:Beige



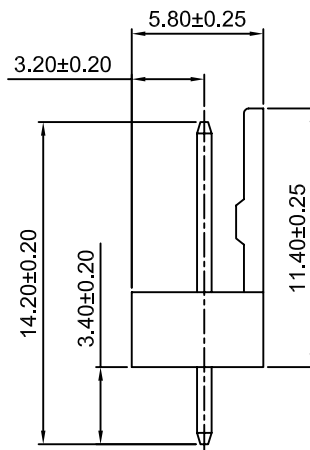
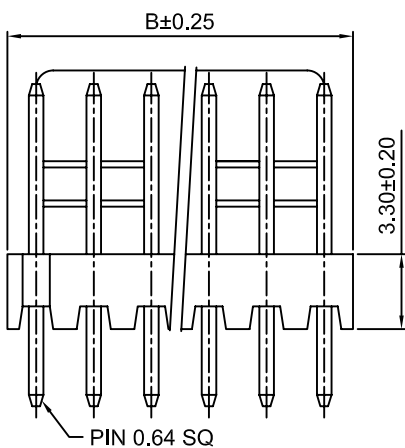
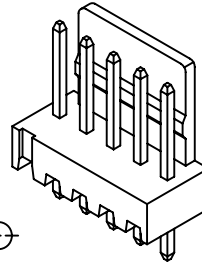
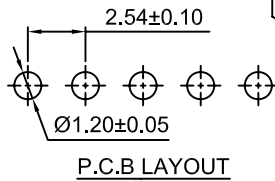
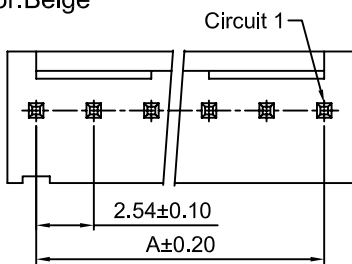
Unit: mm

A2543WV-XP

2.54mm pitch 180° Wafer

Reference Informations:

- *Material:Pin:Brass/Tin over Nickel
Insulator:Nylon 66 ,UL94V-0
- *Mates with CJT A2543 series Housing
- *Color:Beige



Ordering Information & Dimensions:

PART NO.	Dimensions	
	A	B
2P	2.54	5.08
3P	5.08	7.62
4P	7.62	10.16
5P	10.16	12.70
6P	12.70	15.24
7P	15.24	17.78
8P	17.78	20.32
9P	20.32	22.86
10P	22.86	25.40
11P	25.40	27.94
12P	27.94	30.48
13P	30.48	33.02
14P	33.02	35.56
15P	35.56	38.10
16P	38.10	40.64
17P	40.64	43.18
18P	43.18	45.72
19P	45.72	48.26
20P	48.26	50.80
21P	50.80	53.34
22P	53.34	55.88
23P	55.88	58.42
24P	58.42	60.96
25P	60.96	63.50
26P	63.50	66.04
27P	66.04	68.58
28P	68.58	71.12

Unit: mm

CJT_{CONN} A2543 SERIES

2.54mm pitch wire to board connector

A2543WR-XP

2.54mm pitch 90° Wafer

Reference Informations:

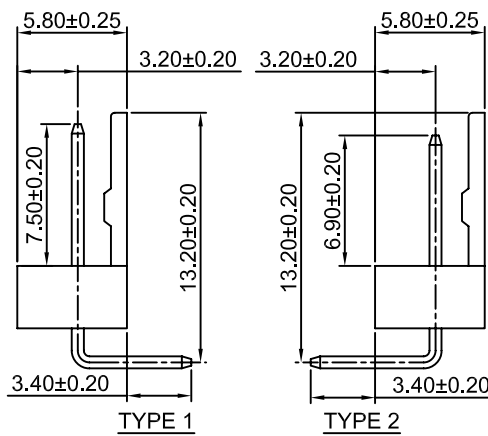
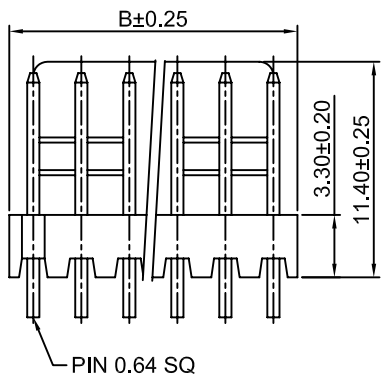
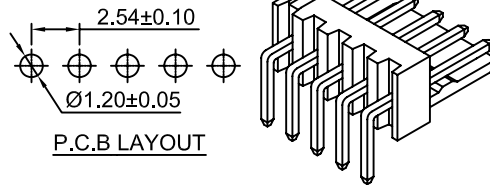
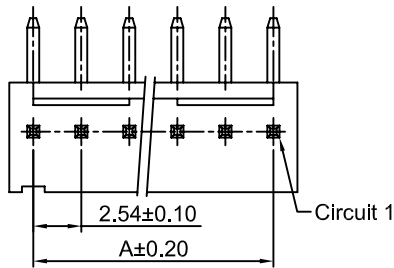
- *Material:Pin:Brass/Tin over Nickel
Insulator:Nylon 66,UL94V-0
- *Mates with CJT A2543 series Housing
- *Color:Beige

Ordering Information:

- A2543WR-XP - **
- 1
2
- 1.Part No.
2.Style:
(blank) :Type 1
2 :Type 2

Ordering Information & Dimensions:

PART NO.	Dimensions	
	A	B
2P	2.54	5.08
3P	5.08	7.62
4P	7.62	10.16
5P	10.16	12.70
6P	12.70	15.24
7P	15.24	17.78
8P	17.78	20.32
9P	20.32	22.86
10P	22.86	25.40
11P	25.40	27.94
12P	27.94	30.48
13P	30.48	33.02
14P	33.02	35.56
15P	35.56	38.10
16P	38.10	40.64
17P	40.64	43.18
18P	43.18	45.72
19P	45.72	48.26
20P	48.26	50.80
21P	50.80	53.34
22P	53.34	55.88
23P	55.88	58.42
24P	58.42	60.96
25P	60.96	63.50
26P	63.50	66.04
27P	66.04	68.58
28P	68.58	71.12



Unit: mm

A2543WR-XP-L

2.54mm pitch 90° Wafer

Reference Informations:

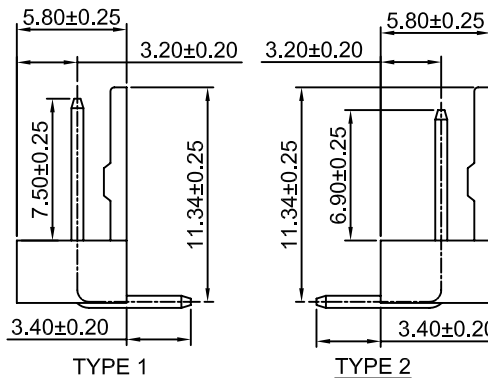
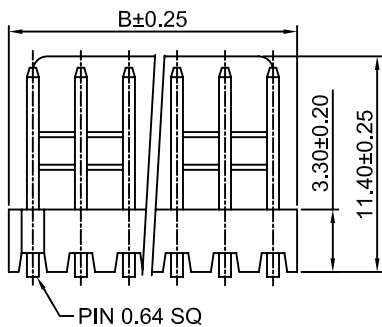
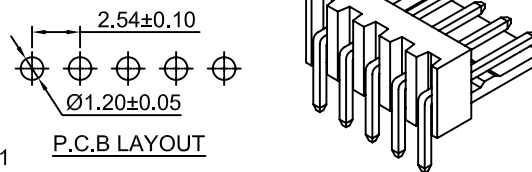
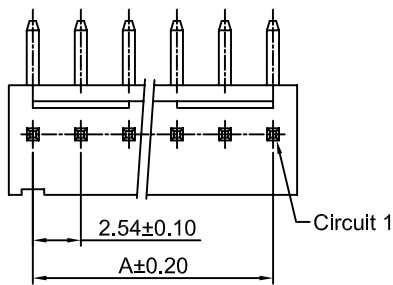
- *Material:Pin:Brass/Tin over Nickel
Insulator:Nylon 66 ,UL94V-0
- *Mates with CJT A2543 series Housing
- *Color:Beige

Ordering Information:

- A2543WR-XP-L - **
- 1
2
- 1.Part No.
2.Style:
(blank) :Type 1
2 :Type 2

Ordering Information & Dimensions:

PART NO.	Dimensions	
	A	B
2P	2.54	5.08
3P	5.08	7.62
4P	7.62	10.16
5P	10.16	12.70
6P	12.70	15.24
7P	15.24	17.78
8P	17.78	20.32
9P	20.32	22.86
10P	22.86	25.40
11P	25.40	27.94
12P	27.94	30.48
13P	30.48	33.02
14P	33.02	35.56
15P	35.56	38.10
16P	38.10	40.64
17P	40.64	43.18
18P	43.18	45.72
19P	45.72	48.26
20P	48.26	50.80
21P	50.80	53.34
22P	53.34	55.88
23P	55.88	58.42
24P	58.42	60.96
25P	60.96	63.50
26P	63.50	66.04
27P	66.04	68.58
28P	68.58	71.12



Unit: mm

CJT_{CONN} A2543 SERIES

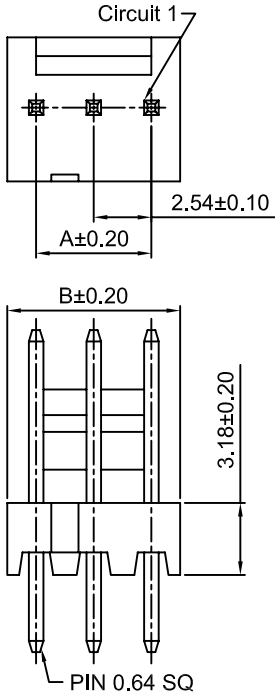
2.54mm pitch wire to board connector

A2543WVA-XP

2.54mm pitch 180° Wafer

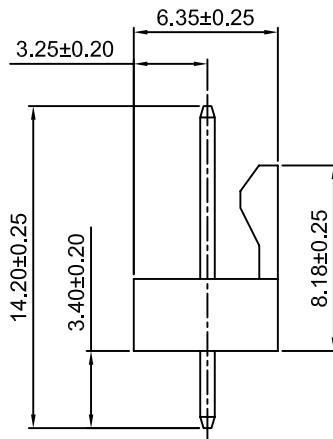
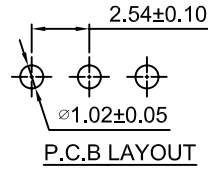
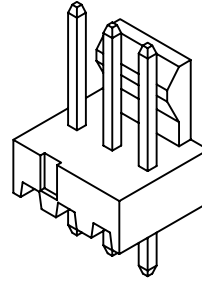
Reference Informations:

- *Material:Pin:Brass/Tin over Nickel
Insulator:Nylon 66 ,UL94V-0
- *Mates with CJT A2543 series Housing
- *Color:Brown



Ordering Information:
A2543WVA-XP - **
1 2

- 1.Part No.
- 2.Color:
(blank):Brown
WH:White



Ordering Information & Dimensions:

PART NO.	Dimensions	
	A	B
2P	2.54	5.08
3P	5.08	7.62
4P	7.62	10.16
5P	10.16	12.70
6P	12.70	15.24
7P	15.24	17.78
8P	17.78	20.32
9P	20.32	22.86
10P	22.86	25.40
11P	25.40	27.94
12P	27.94	30.48
13P	30.48	33.02
14P	33.02	35.56
15P	35.56	38.10
16P	38.10	40.64
17P	40.64	43.18
18P	43.18	45.72
19P	45.72	48.26
20P	48.26	50.80
21P	50.80	53.34
22P	53.34	55.88
23P	55.88	58.42
24P	58.42	60.96
25P	60.96	63.50
26P	63.50	66.04
27P	66.04	68.58
28P	68.58	71.12

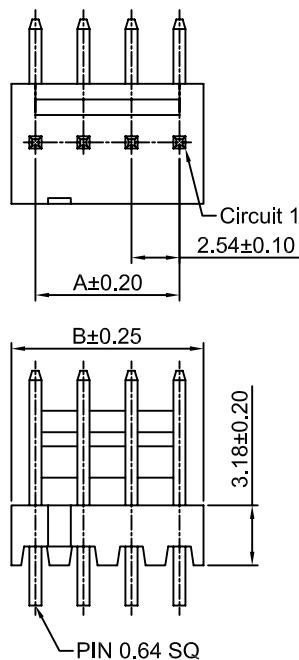
Unit: mm

A2543WRA-XP

2.54mm Pitch 90° Wafer

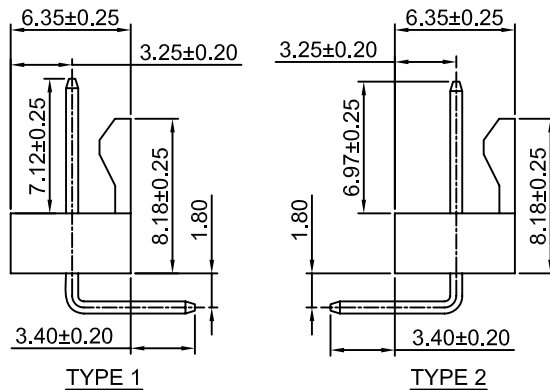
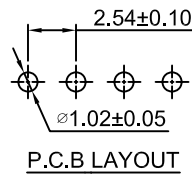
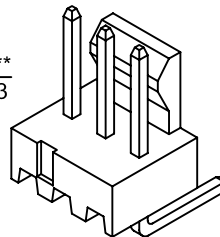
Reference Informations:

- *Material:Pin:Brass/Tin over Nickel
Insulator:Nylon 66 ,UL94V-0
- *Mates with CJT A2543 series Housing
- *Color:Brown or White



Ordering Information:
A2543WRA-XP - * - **
1 2 3

- 1.Part No.
- 2.Style:
(blank) :Type 1
2 :Type 2
- 3.Color:
(blank):Brown
WH:White



Ordering Information & Dimensions:

PART NO.	Dimensions	
	A	B
2P	2.54	5.08
3P	5.08	7.62
4P	7.62	10.16
5P	10.16	12.70
6P	12.70	15.24
7P	15.24	17.78
8P	17.78	20.32
9P	20.32	22.86
10P	22.86	25.40
11P	25.40	27.94
12P	27.94	30.48
13P	30.48	33.02
14P	33.02	35.56
15P	35.56	38.10
16P	38.10	40.64
17P	40.64	43.18
18P	43.18	45.72
19P	45.72	48.26
20P	48.26	50.80
21P	50.80	53.34
22P	53.34	55.88
23P	55.88	58.42
24P	58.42	60.96
25P	60.96	63.50
26P	63.50	66.04
27P	66.04	68.58
28P	68.58	71.12

Unit: mm

CJTconn A2543 SERIES

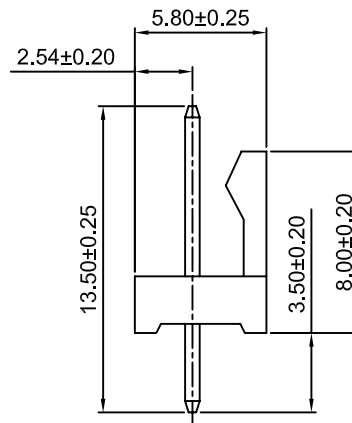
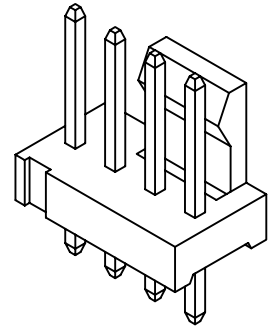
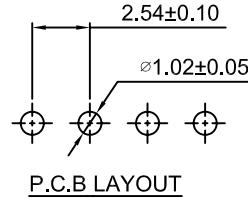
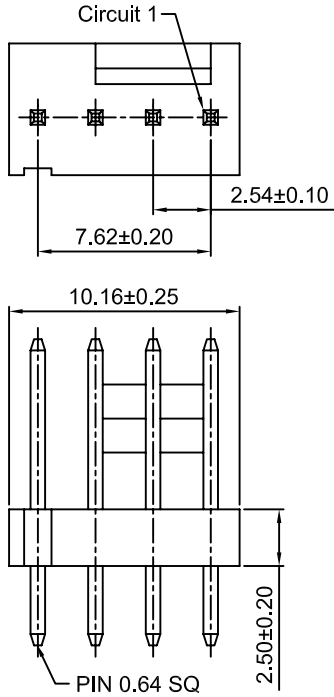
2.54mm pitch wire to board connector

A2543WVC-4P

2.54mm pitch 180° Wafer

Reference Informations:

- *Material:Pin:Brass/Tin over Nickel
Insulator:Nylon 66 ,UL94V-0
- *Mates with CJT A2543HC series Housing
- *Color:Beige



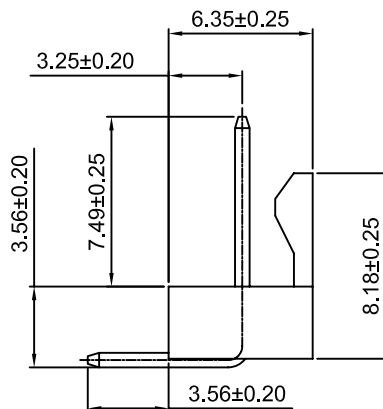
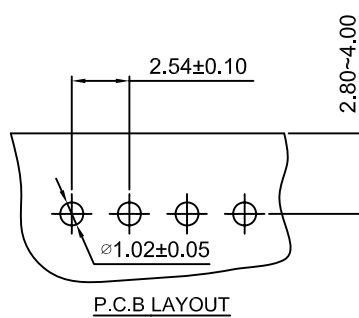
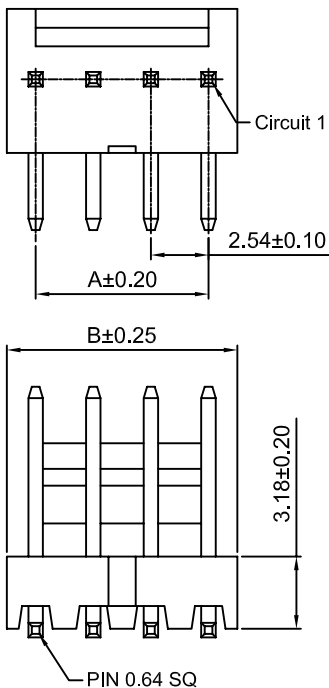
Unit: mm

A2543WRD-XP

2.54mm Pitch 90° Wafer

Reference Informations:

- *Material:Pin:Brass/Tin over Nickel
Insulator:Nylon 66 ,UL94V-0
- *Mates with CJT A2543 series Housing
- *Color:White



Ordering Information & Dimensions:

PART NO.	Dimensions	
	A	B
2P	2.54	5.08
3P	5.08	7.62
4P	7.62	10.16
5P	10.16	12.70
6P	12.70	15.24
7P	15.24	17.78
8P	17.78	20.32
9P	20.32	22.86
10P	22.86	25.40
11P	25.40	27.94
12P	27.94	30.48
13P	30.48	33.02
14P	33.02	35.56
15P	35.56	38.10
16P	38.10	40.64
17P	40.64	43.18
18P	43.18	45.72
19P	45.72	48.26
20P	48.26	50.80

Unit: mm

CJT_{CONN} A2543 SERIES

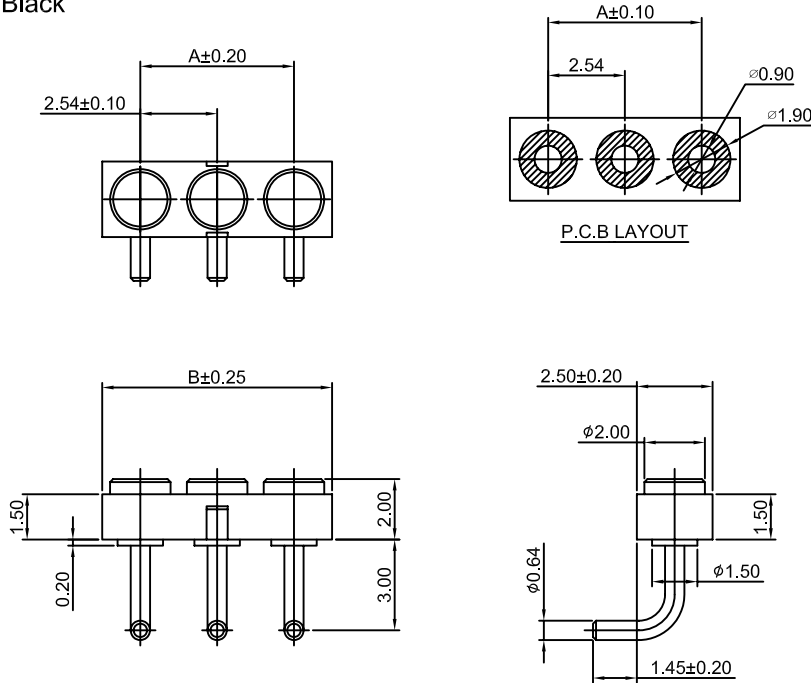
2.54mm pitch wire to board connector

A2543WRE-XP

2.54mm Pitch 90° Wafer

Reference Informations:

- *Material:Pin:Brass/Gold over Nickel
Insulator:Nylon 66 ,UL94V-0
- *Mates with CJT A2543 series Housing
- *Color:Black



Ordering Information & Dimensions:

PART NO.	Dimensions	
	A	B
2P	2.54	5.06
3P	5.08	7.60
4P	7.62	10.14
5P	10.16	12.68
6P	12.70	15.22
7P	15.24	17.76
8P	17.78	20.30
9P	20.32	22.84
10P	22.86	25.38
11P	25.40	27.92
12P	27.94	30.46
13P	30.48	33.00
14P	33.02	35.54
15P	35.56	38.08
16P	38.10	40.62
17P	40.64	43.16
18P	43.18	45.70
19P	45.72	48.24
20P	48.26	50.78

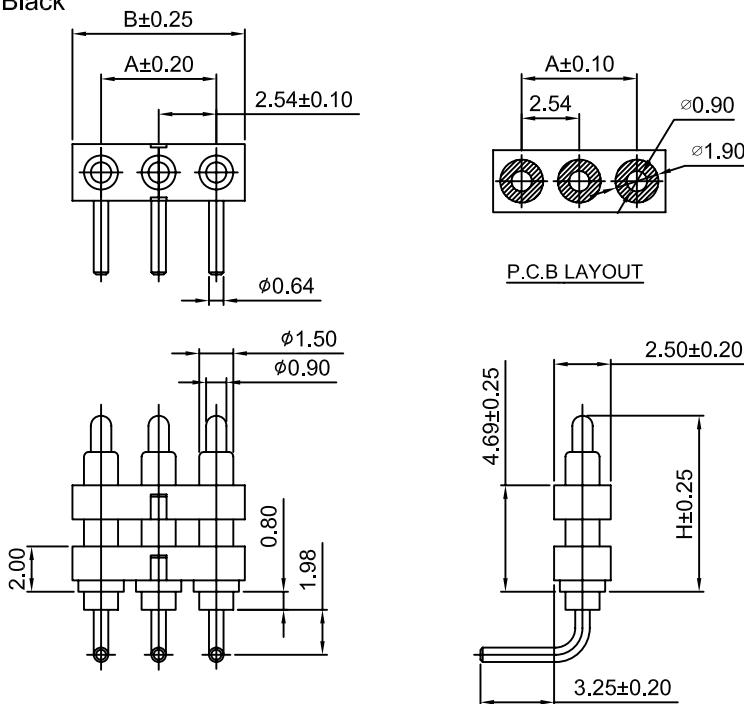
Unit: mm

A2543WREA-XP

2.54mm Pitch 90° Wafer

Reference Informations:

- *Material:Pin:Brass/Gold over Nickel
Insulator:Nylon 66 ,UL94V-0
- *Mates with CJT A2543 series Housing
- *Color:Black



Ordering Information:
A2543WREA-XP - **
1 2

- 1.Part No.
- 2.Size(H):
(Blank): 7.76mm
H64: 6.36mm
H66: 6.56mm
H67: 6.76mm

Ordering Information & Dimensions:

PART NO.	Dimensions	
	A	B
2P	2.54	5.06
3P	5.08	7.60
4P	7.62	10.14
5P	10.16	12.68
6P	12.70	15.22
7P	15.24	17.76
8P	17.78	20.30
9P	20.32	22.84
10P	22.86	25.38
11P	25.40	27.92
12P	27.94	30.46
13P	30.48	33.00
14P	33.02	35.54
15P	35.56	38.08
16P	38.10	40.62
17P	40.64	43.16
18P	43.18	45.70
19P	45.72	48.24
20P	48.26	50.78

Unit: mm

CJT_{CONN} A2543 SERIES

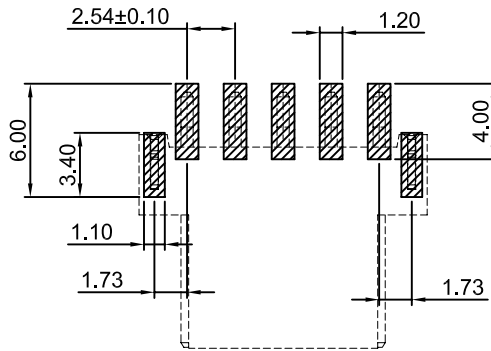
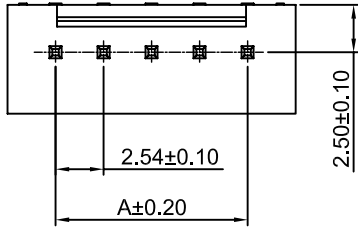
2.54mm pitch wire to board connector

A2543WR-S-XP

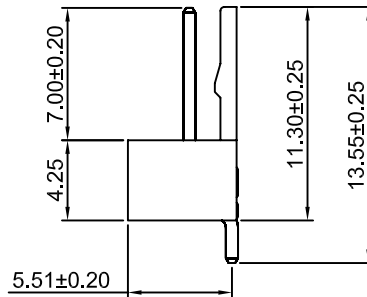
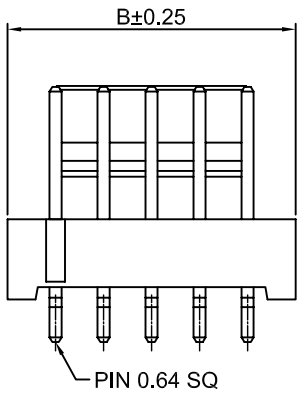
2.54mm Pitch 90° Wafer - SMT TYPE

Reference Informations:

- *Material:Pin:Brass/Tin over Nickel
Insulator:PA9T ,UL94V-0
- *Mates with CJT A2543 series Housing
- *Color:Natural



P.C.B LAYOUT



Ordering Information & Dimensions:

PART NO.	Dimensions	
	A	B
2P	2.54	7.62
4P	7.62	12.70
5P	12.70	15.24

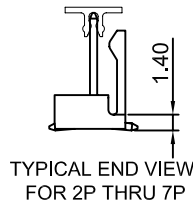
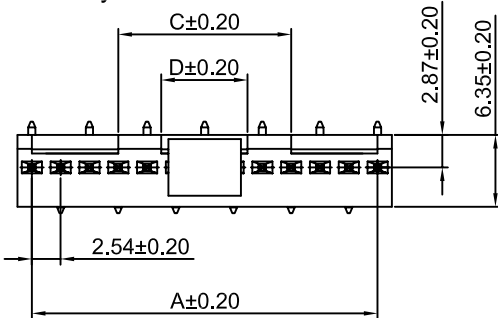
Unit: mm

A2543WVB-S-XP

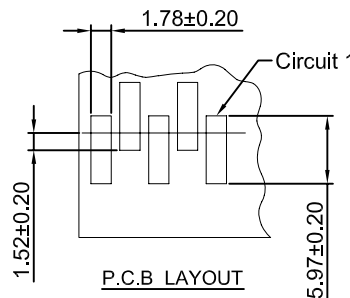
2.54mm pitch 180° Wafer - SMT TYPE

Reference Informations:

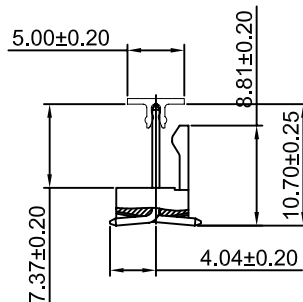
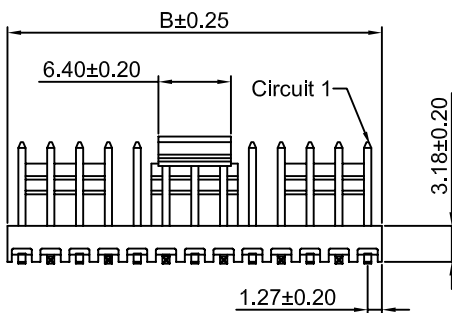
- *Material:Pin:Brass/Tin over Nickel
Insulator:LCP ,UL94V-0
- *Mates with CJT A2543 series Housing
- *Color:Ivory



TYPICAL END VIEW FOR 2P THRU 7P



P.C.B LAYOUT



Ordering Information:
A2543WVB-S-XP - * - *
1 2 3

- Part No.
- Color:
(blank)- Ivory
BK - Black
- Finish
(blank)- Tin over Nickel
G - Gold over Nickel

Ordering Information & Dimensions:

PART NO.	Dimensions			
	A	B	C	D
2P	2.54	5.08	----	----
3P	5.08	7.62	----	----
4P	7.62	10.16	----	----
5P	10.16	12.70	----	----
6P	12.70	15.24	----	----
7P	15.24	17.78	----	----
8P	17.78	20.32	----	----
9P	20.32	22.86	2.54	----
10P	22.86	25.40	5.08	----
11P	25.40	27.94	7.62	----
12P	27.94	30.48	10.16	7.62
13P	30.48	33.02	12.70	7.62
14P	33.02	35.56	15.24	12.70
15P	35.56	38.10	17.78	12.70
16P	38.10	40.64	20.32	12.70
17P	40.64	43.18	22.86	12.70
18P	43.18	45.72	25.40	12.70

Unit: mm