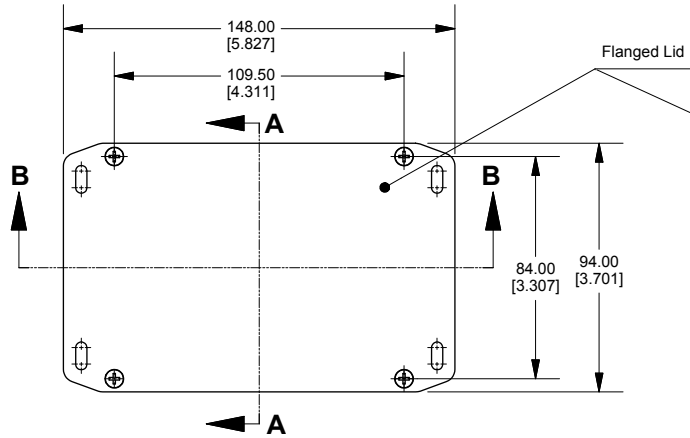
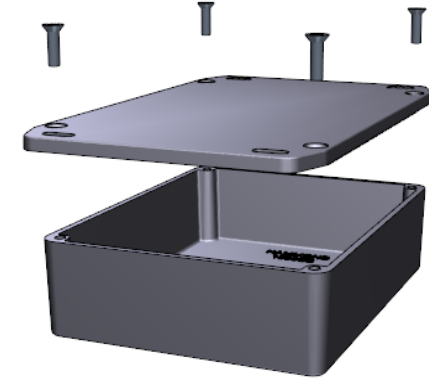
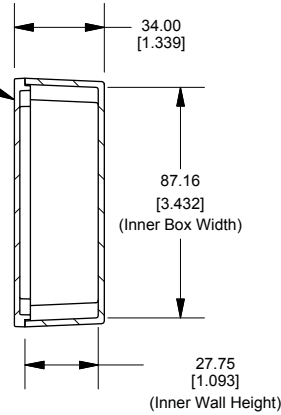


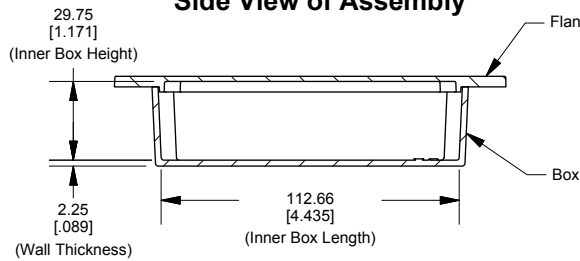
**Top View of Assembly**



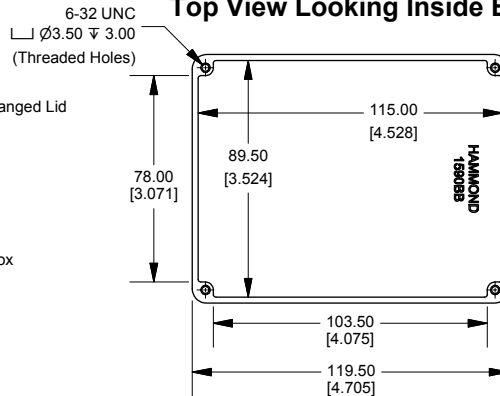
**SECTION A-A  
End View of Assembly**



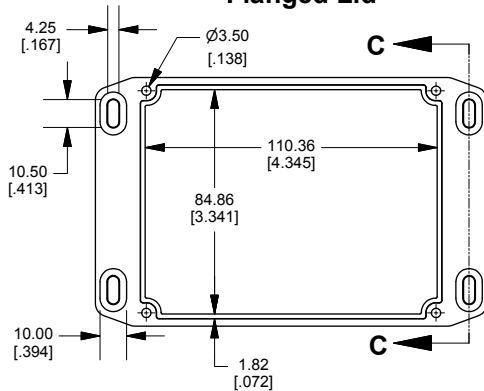
**SECTION B-B  
Side View of Assembly**



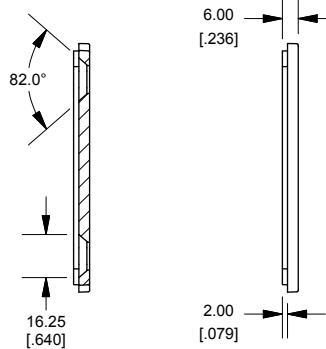
**Top View Looking Inside Box**



**Flanged Lid**



**Side View of Slot  
SECTION C-C**



Enclosures can be Factory Modified ( Milling, Drilling, Printing etc.)  
Contact Factory [mjm@hammondmfg.com](mailto:mjm@hammondmfg.com) for quotes  
Solid models of this enclosure available in STEP or IGES.

**NOTE**

Purchased assembly includes box, lid and 4 cover screws.  
Box and lid are made from Diecast Aluminum Alloy.  
Silicone Gasket supplied with liquid resistant enclosure.

**PART NUMBERS**

<b>1590BBFL Enclosure</b>	
Natural Finish Enclosure	1590BBFL
Black Textured Enclosure	1590BBFLBK
<b>1590BBFL Liquid Resistant Enclosure (Silicone Gasket)</b>	
Natural Finish Enclosure	1590WBBFL
Black Textured Enclosure	1590WBBFLBK

**ACCESSORIES**

**Recommended Torque: 75 ozf.in / 55 cN.m**

**Liquid Resistant Cover Screws**

<b>Stainless Steel Cover Screws (Pkg 100)</b> [6-32 x 1/2" With O-Ring]	1590WMS100
<b>Black Stainless Steel Cover Screws (Pkg 100)</b> [6-32 x 1/2" With O-Ring]	1590WMS100BK

**Standard Cover Screws**

<b>Plated Cover Screws (Pkg 100)</b> [6-32 x 1/2"]	1590MS100
<b>Black Cover Screws (Pkg 100)</b> [6-32 x 1/2"]	1590MS100BK

**Dimensions:**  
mm  
[inches]