

Glasfaser Patchkabel OS2 9/125μ

Fiber Patch Cord OS2 9/125μ

Technical Features

Duplex jumper 9/125μ Singlemode, APC 8° polish

Fiber: I-VH-2E 9/125μ OS2 G.657.A2

Jacket: LSZH, yellow, Ø3.0 x 6.0mm

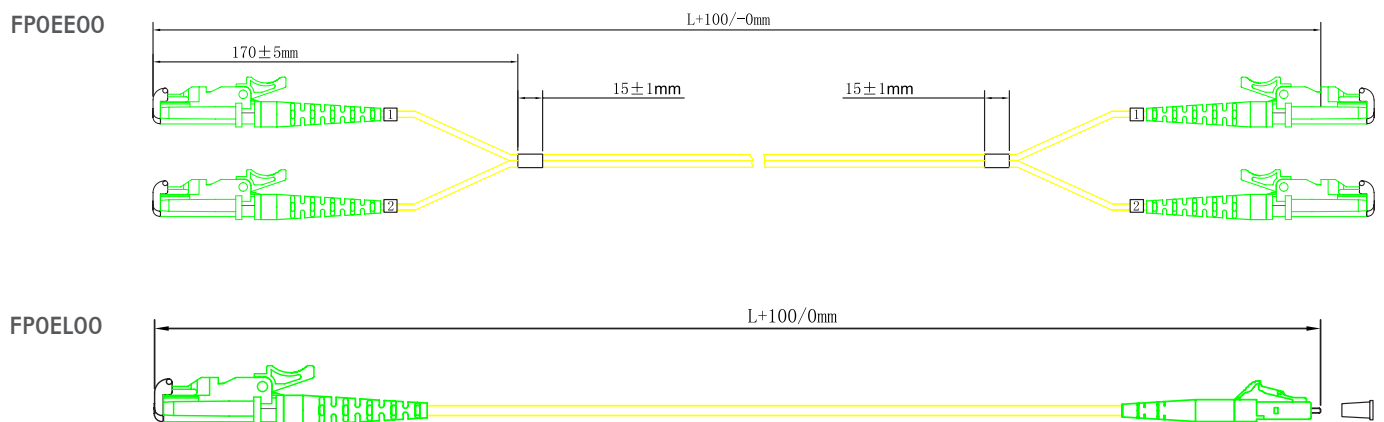
Connector: LSH APC, green

Application: Up to 100 Gbps / 125m

Standard: IEC 61754-15, IEC 61754-20

Quality: Each cable includes a measure protocol

Technical Drawings



www.logilink.de



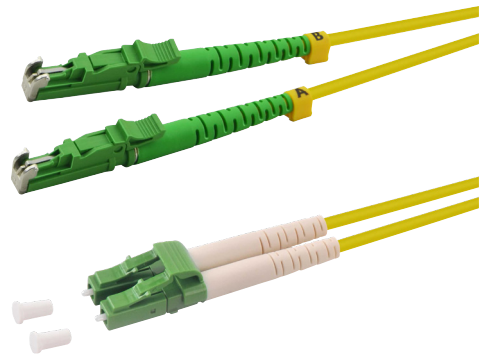
RoHS
compliant



Length	LSH – LSH	EAN Code
0.50 m	FPOEE00	4052792047288
1.00 m	FPOEE01	4052792047295
2.00 m	FPOEE02	4052792047301
3.00 m	FPOEE03	4052792047318
5.00 m	FPOEE05	4052792047325
7.50 m	FPOEE07	4052792047332
10.00 m	FPOEE10	4052792047349
15.00 m	FPOEE15	4052792047356
20.00 m	FPOEE20	4052792047363



Length	LSH – LC	EAN Code
0.50 m	FPOEL00	4052792047370
1.00 m	FPOEL01	4052792047387
2.00 m	FPOEL02	4052792047394
3.00 m	FPOEL03	4052792047400
5.00 m	FPOEL05	4052792047417
7.50 m	FPOEL07	4052792047424
10.00 m	FPOEL10	4052792047431
15.00 m	FPOEL15	4052792047448
20.00 m	FPOEL20	4052792047455



Package Contents

1 x Fiber Patch Cord OS2 9/125 μ

Packaging Informations

Packing Dimension	180 x 180mm (0.5m - 1m items) / 220 x 220mm (2m - 10m items) / 250 x 270mm (15m - 20m items)
Packing Weight	0.03kg (0.5m items) / 0.04kg (1m items) / 0.07kg (2m items) / 0.1kg (3m items) / 0.15kg (5m items) / 0.22kg (7.5m items) / 0.29kg (10m items) / 0.42kg (15m items) / 0.56kg (20m items)
Carton Dimension	217 x 217 x 220mm
Carton Q'ty	105pcs (0.5m items) / 100pcs (1m - 2m items) / 80pcs (3m items) / 50pcs (5m items) / 40pcs (7.5m items) / 35pcs (10m items) / 25pcs (15m items) / 20pcs (20m items)
Carton Weight	2.56kg (FPOEE00) / 3.46kg (FPOEE01) / 3.71kg (FPOEE02) / 5.06kg (FPOEE03) / 4.72kg (FPOEE05) / 5.63kg (FPOEE07) / 4.46kg (FPOEE10) / 4.38kg (FPOEE15) / 5.73kg (FPOEE20) 2.48kg (FPOEL00) / 3.38kg (FPOEL01) / 3.66kg (FPOEL02) / 5.01kg (FPOEL03) / 4.69kg (FPOEL05) / 5.61kg (FPOEL07) / 4.45kg (FPOEL10) / 4.37kg (FPOEL15) / 5.72kg (FPOEL20)

