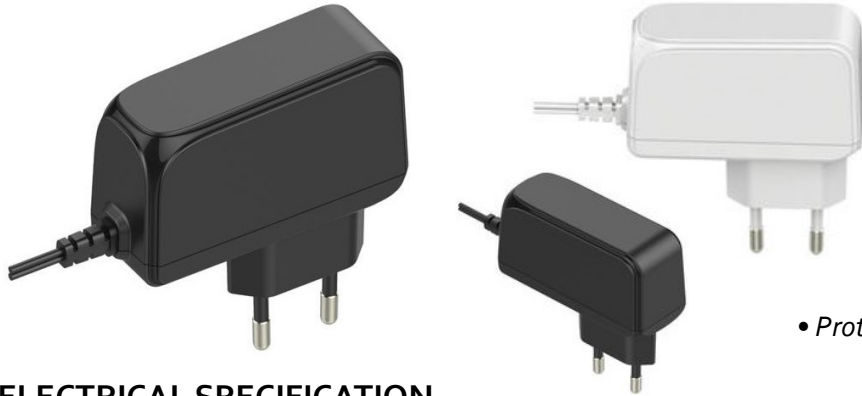


# POS12120A series

12V / 1.2A Wall mounted type AC/DC adaptor



## ■ Features:

- Universal AC input / Full range
- ErP step II / CEC level VI compliance
- No load power consumption  $P < 0.075W$
- Protections: Overload / Short circuit / Over Voltage



## ELECTRICAL SPECIFICATION

MODEL	POS 12120A
-------	------------

### OUTPUT

Rated Voltage	12V
Rated Current	1.2A
Current Range	0 ÷ 1.2A
Rated Power	14.4W
Line Regulation	± 1%
Load Regulation	± 5%
Tolerance [3]	± 8%
Ripple & Noise (max.) [2]	200mV <sub>p-p</sub>
Setup, Rise Time [4]	5000ms, 30ms / 230VAC at full load
Hold up Time (typ.)	4ms / 230VAC at full load

### INPUT

Voltage Range	90 ÷ 264VAC
Frequency Range	47 ÷ 63Hz
Efficiency (typ.)	84.28 %
AC Current (typ.)	0.5A / 230VAC
No load Power Consumption (max.)	0.075W

### PROTECTIONS

Overload	Range: 105-200% Auto-recovery.
Short Circuit	Type: hiccup mode, auto-recovery.
Over Voltage	Type: auto-recovery.

# POS12120A series

12V / 1.2A Wall mounted type AC/DC adaptor



## WORKING ENVIRONMENT

<b>Working Temperature</b>	0°C ÷ 40°C
<b>Working Humidity</b>	10 ÷ 90% RH non-condensing
<b>Storage Temperature and Humidity</b>	-20°C ÷ 85°C, 5 ÷ 90% RH non-condensing

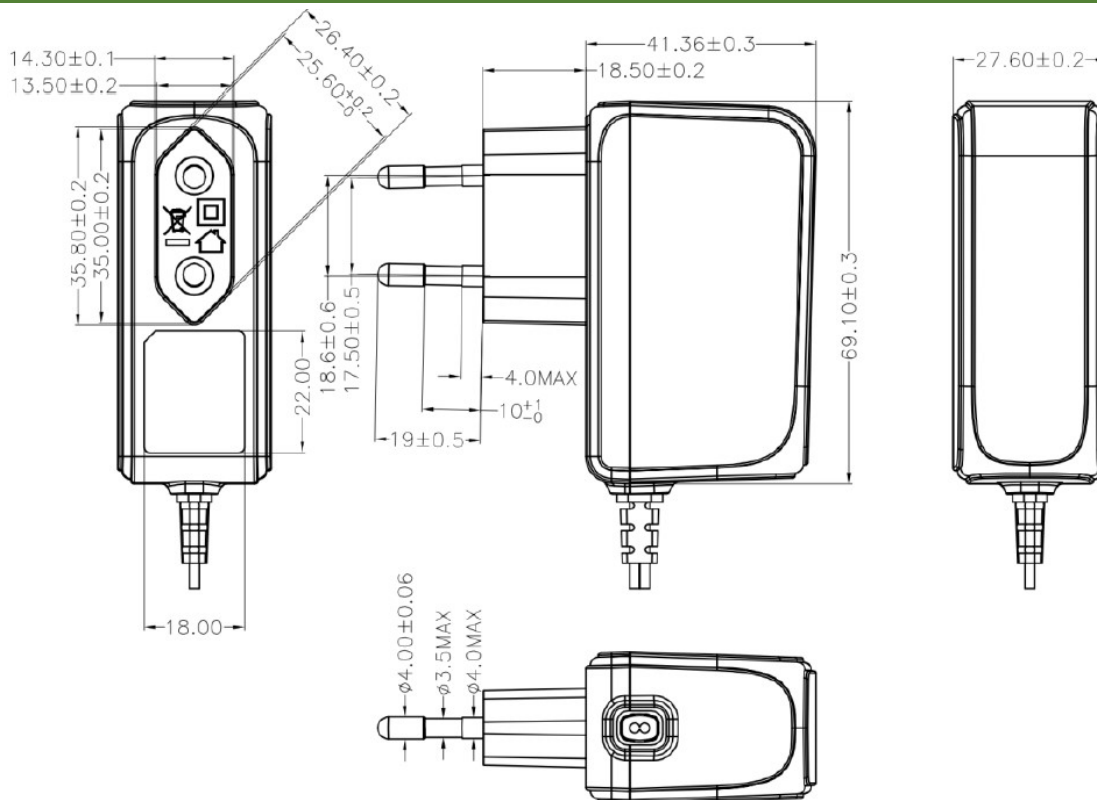
## SAFETY and EMC REGULATIONS

<b>Safety Standards</b>	Compliance to EN 60950-1
<b>Withstand Voltage</b>	IN/OUT: 3.6kVAC
<b>Isolation Resistance</b>	IN/OUT: 10MΩ/500VDC/25°C/70%
<b>EMC Emission</b>	Compliance to EN55032
<b>EMC Immunity</b>	Compliance to EN61000-4-2, -3, -4, -5
<b>Harmonic Current</b>	Compliance to EN61000-3-3; EN61000-3-2

## OTHERS

<b>DC wire and plug</b>	Wire: 24AWG*2C, length = 1500mm	Plug: 2.1/5.5, positive inside
<b>Net Weight</b>	124.6g	

## MECHANICAL SPECIFICATION



# POS12120A series

12V / 1.2A Wall mounted type AC/DC adaptor



## MECHANICAL SPECIFICATION: DC wire and plug

