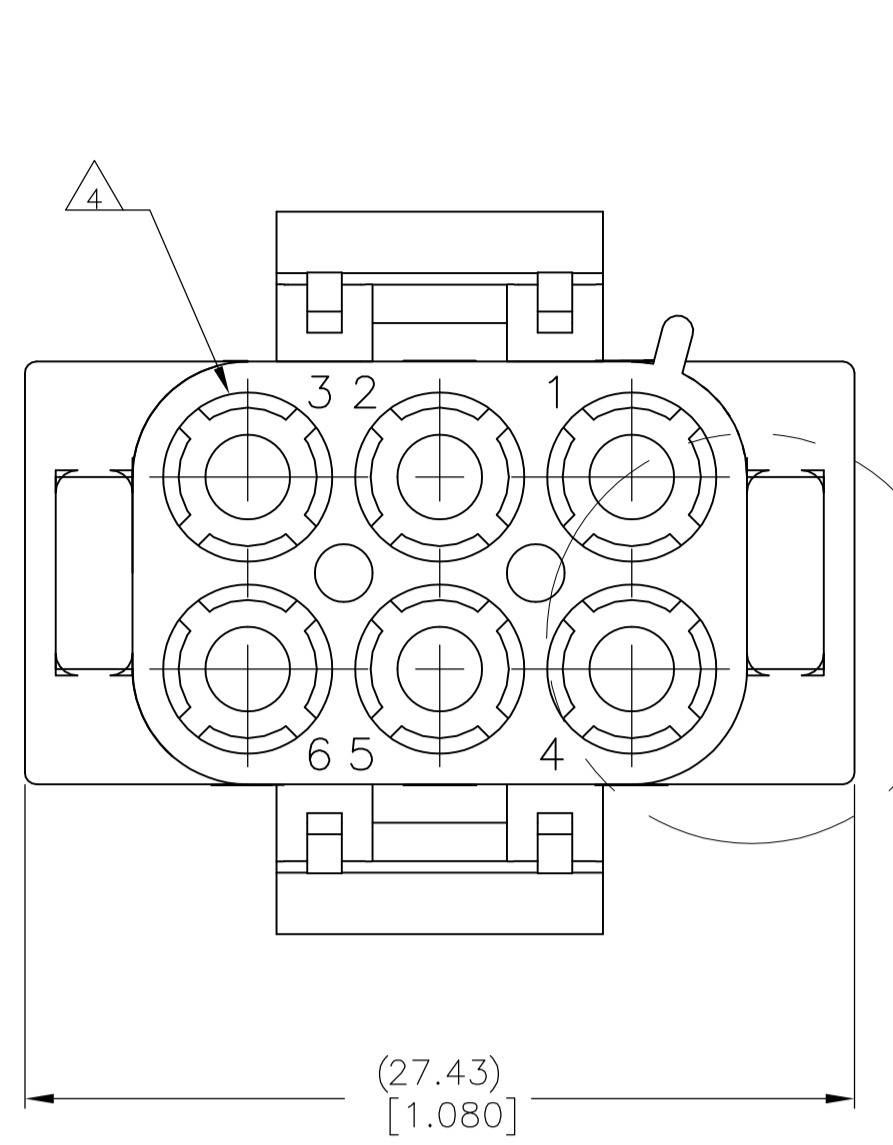
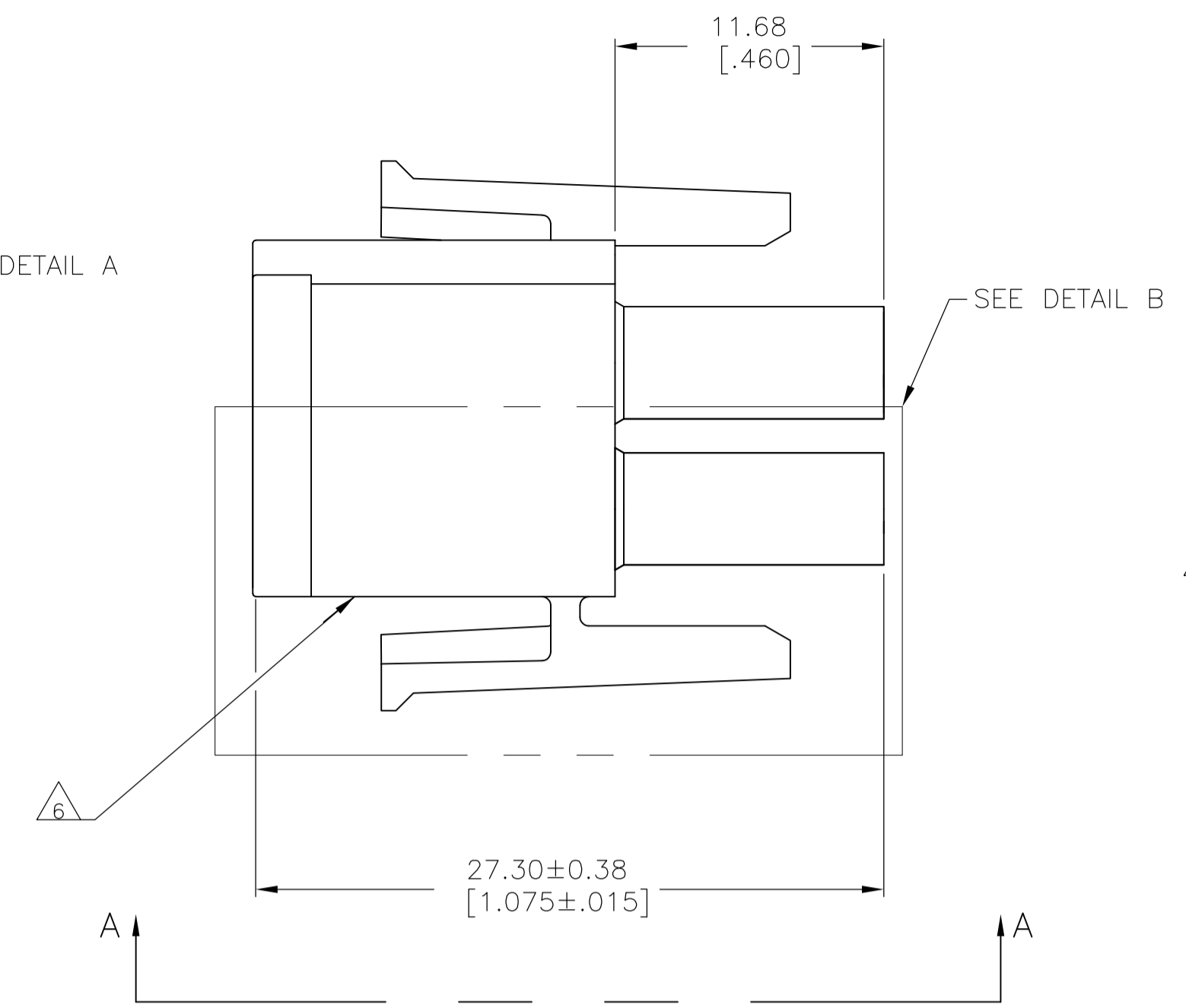


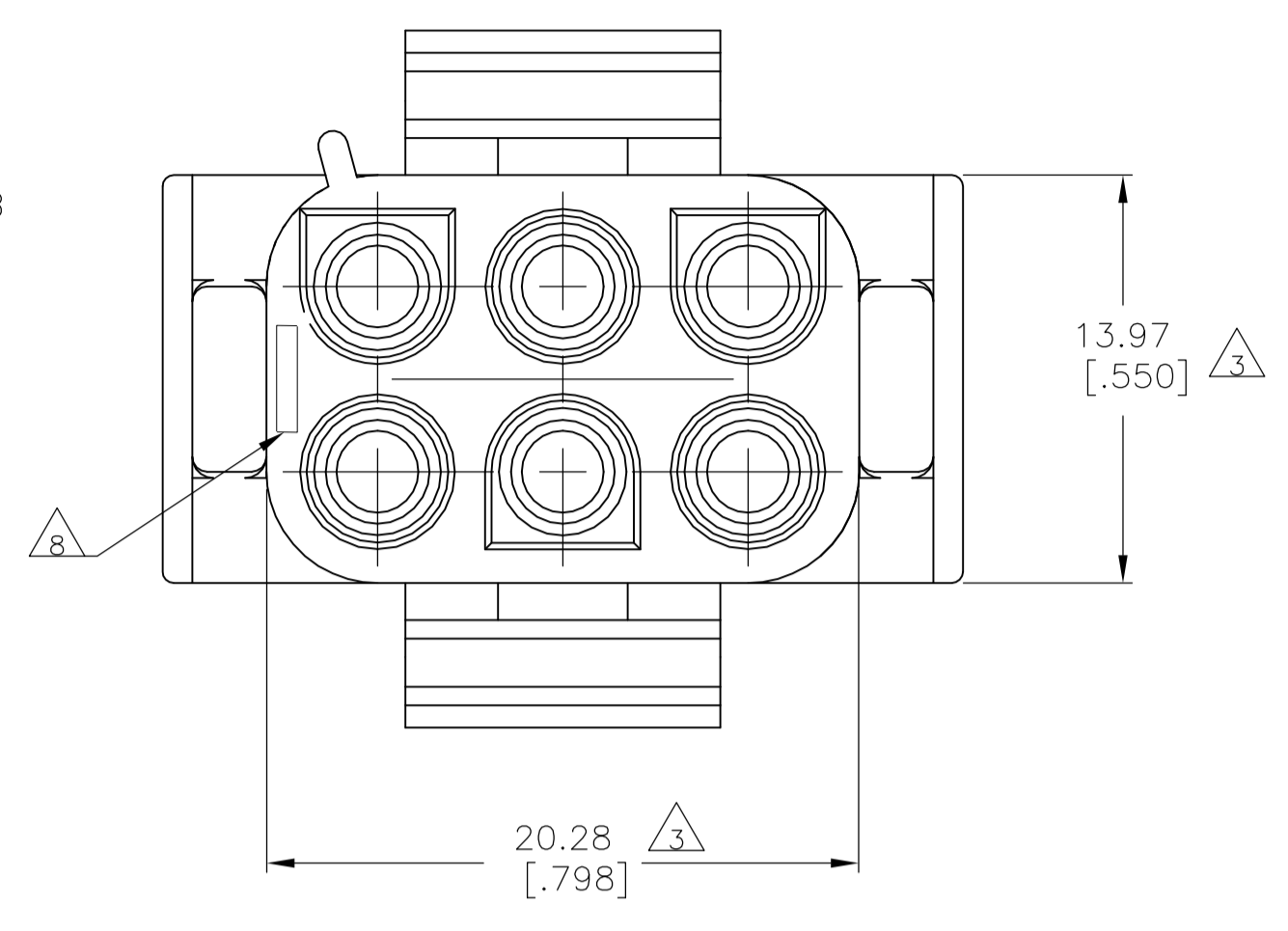
LOC		DIST		REVISIONS			
CM	00	REV	DATE	BY	CHK	APPV	REV
		Y2	11MAR11	ECO-11-004587	RK	HMR	



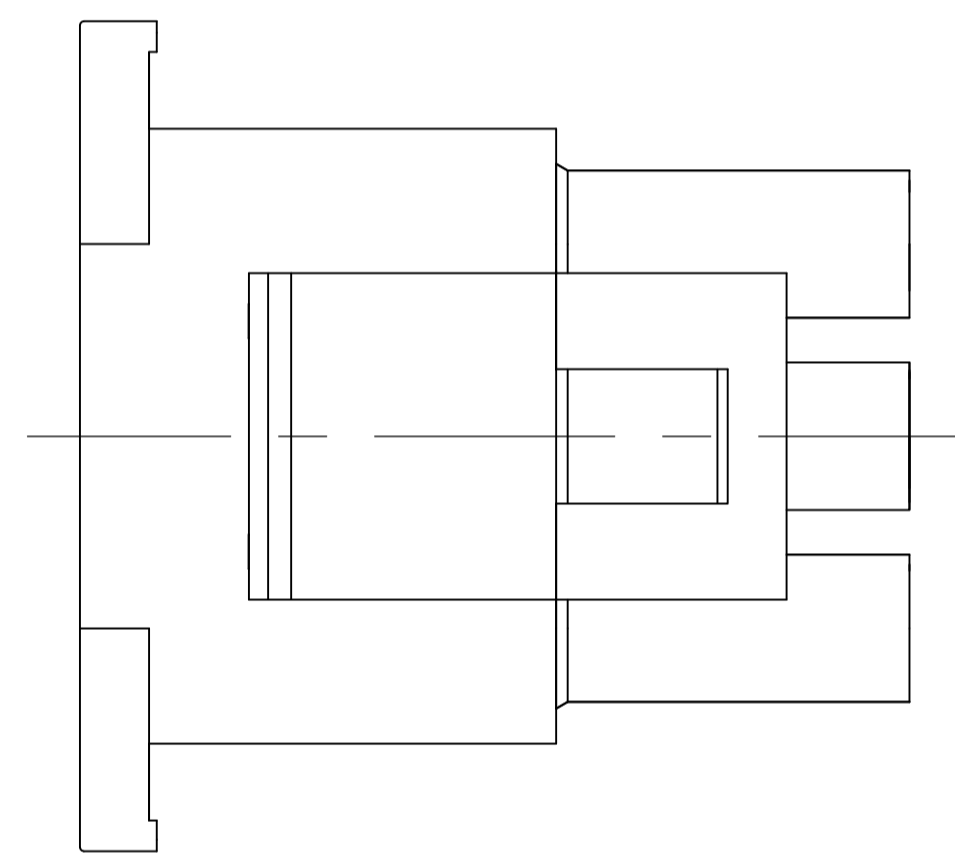
SEE DETAIL A



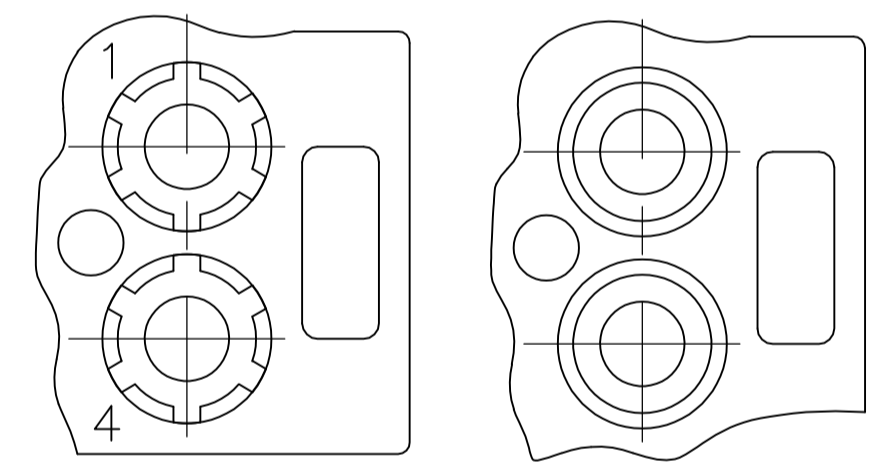
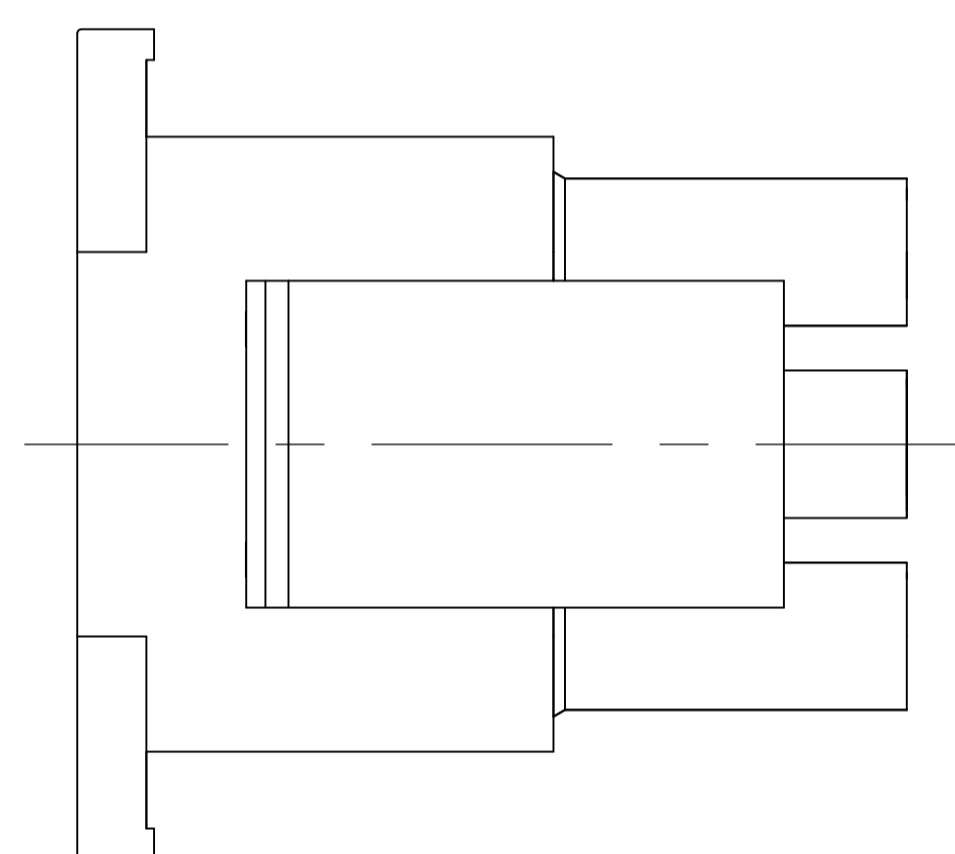
SEE DETAIL B



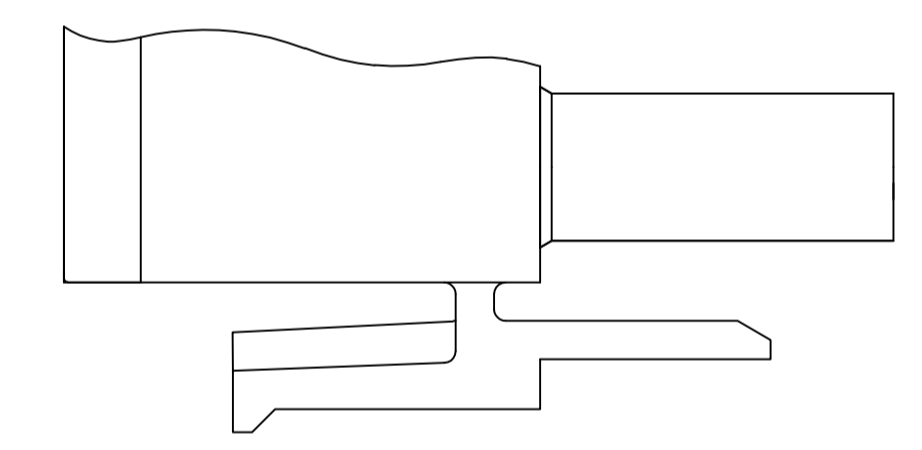
- MATES WITH APPROPRIATE UNIVERSAL MATE-N-LOK™ CAP OR HEADER.
- SMALL NICKS ARE PERMITTED ON THE CIRCUIT TOWERS WHICH COULD INCREASE THE INITIAL HOUSING MATING FORCE BY UP TO 4.4 NEWTONS [1.0 LBS]. NO INDIVIDUAL NICKED TOWER SHALL INCREASE THIS FORCE BY OVER 2.2 NEWTONS [.5 LBS].
- △ DIMENSION INDICATED IS AS MOLDED. ADDITIONAL GROWTH DUE TO SUBSEQUENT MOISTURE ABSORPTION MAY OCCUR.
- △ FOUR RIBS EQUALLY SPACED, NO SPECIFIC ORIENTATION. NO RIBS OR SIX RIBS EQUALLY SPACED, NO SPECIFIC ORIENTATION, OPTIONAL.
- △ NOT MANUFACTURED IN U.S.
- △ UNDERWRITERS RECOGNIZED COMPONENT LOGO AND CSA CERTIFICATION LOGO TO BE LOCATED ONCE EACH ON SIDE OF HOUSING.
- MANUFACTURING LOCATION ID ON SIDE OF HOUSING (OPTIONAL).
- △ TRADEMARK LOCATION (AMP OR TE CONNECTIVITY).



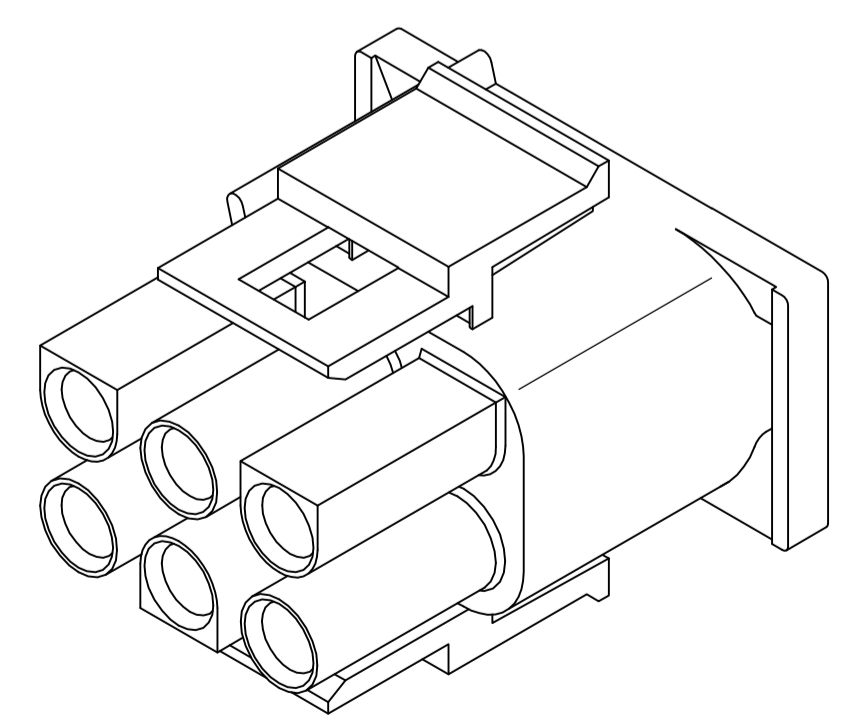
VIEW A-A  
350715-4 ONLY



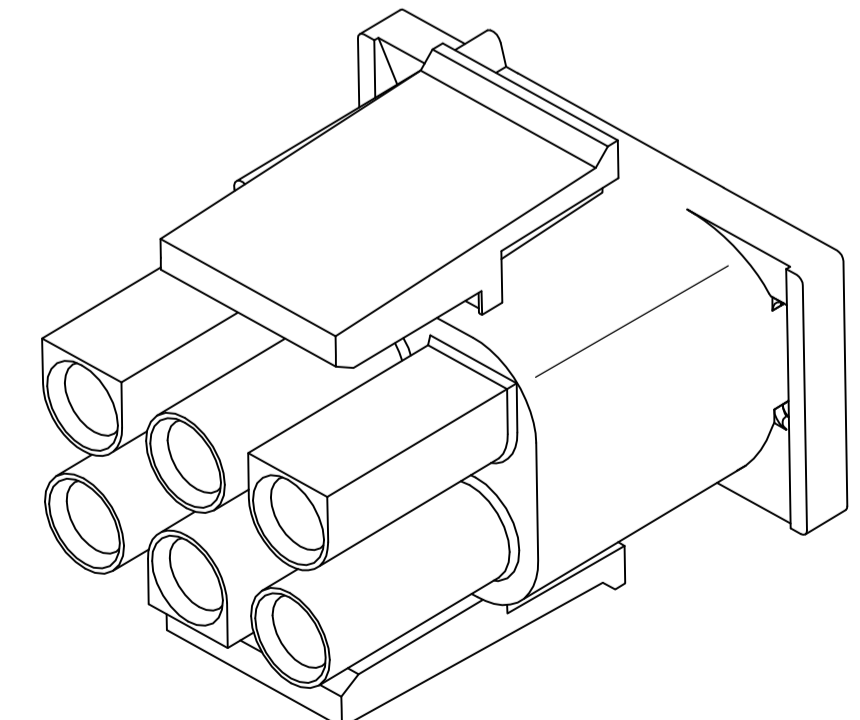
DETAIL A  
OPTIONAL CONSTRUCTION



DETAIL B  
350715-4 ONLY



350715-4 3-DIMENSIONAL MODEL  
NTS



3-DIMENSIONAL MODEL  
NTS

BLACK	1-350715-9
GRAY	1-350715-8
BLUE	1-350715-6
GREEN	1-350715-5
YELLOW	1-350715-4
ORANGE	1-350715-3
RED	1-350715-2
BROWN	1-350715-1
△	350715-4
NATURAL	350715-1
COLOR	PART NUMBER

METRIC

THIS DRAWING IS A CONTROLLED DOCUMENT.		DIN S. HOOVER 14APR04		TE Connectivity	
DIMENSIONS: mm [INCHES]		CHK S. RIDGILL 14APR04		NAME	
TOLERANCES UNLESS OTHERWISE SPECIFIED:		APPV S. RIDGILL 14APR04		PRODUCT SPEC	
0. PLC	± -	APPLICATION SPEC		SIZE	
1. PLC	± -	WEIGHT		CAGE CODE	
2. PLC	± 0.13 [.005]	A1 00779		DRAWING NO	
3. PLC	± -	CUSTOMER DRAWING		RESTRICTED TO	
4. PLC	± -	SCALE 4:1		SHEET 1 OF 1	
ANGLES	± -	REV Y2			
MATERIAL NYLON, UL 94V-0	FINISH -				