

THIS DRAWING IS UNPUBLISHED.

RELEASED FOR PUBLICATION

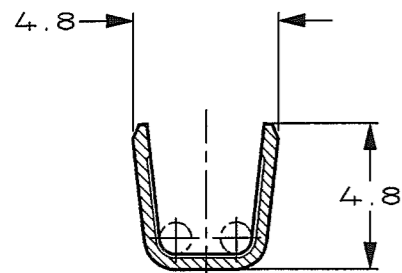
,1997

© COPYRIGHT 1995

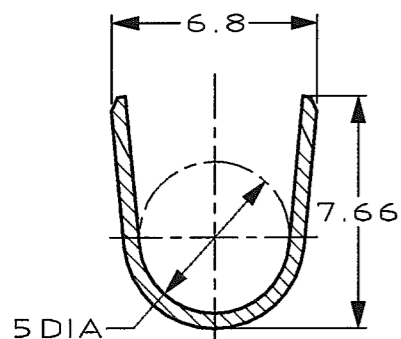
BY AMP INCORPORATED, ALL RIGHTS RESERVED.

LOC	DIST
J	

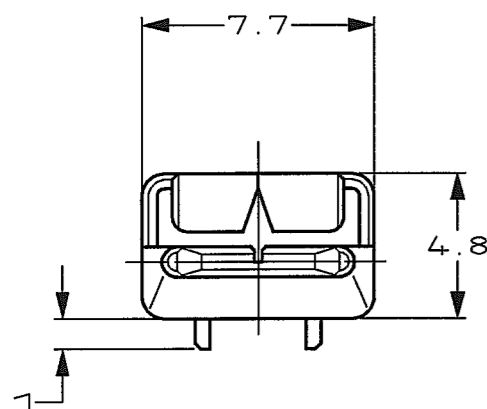
REVISIONS						
REV	P	LTR	DESCRIPTION	ECN	DATE	APVD
0			RELEASED	FJ00-0992-97	27/JUN/97	K.I.I.H
A			REVISED	FJ00-2467-02	10/DEC/02	T.S.S.M



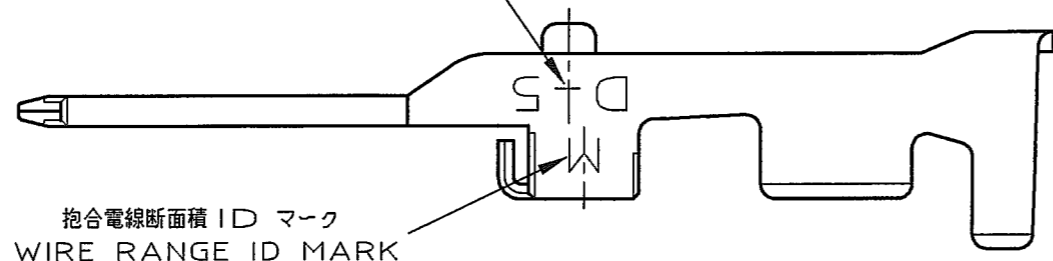
断面 "A"- "A"
SECT "A"- "A"



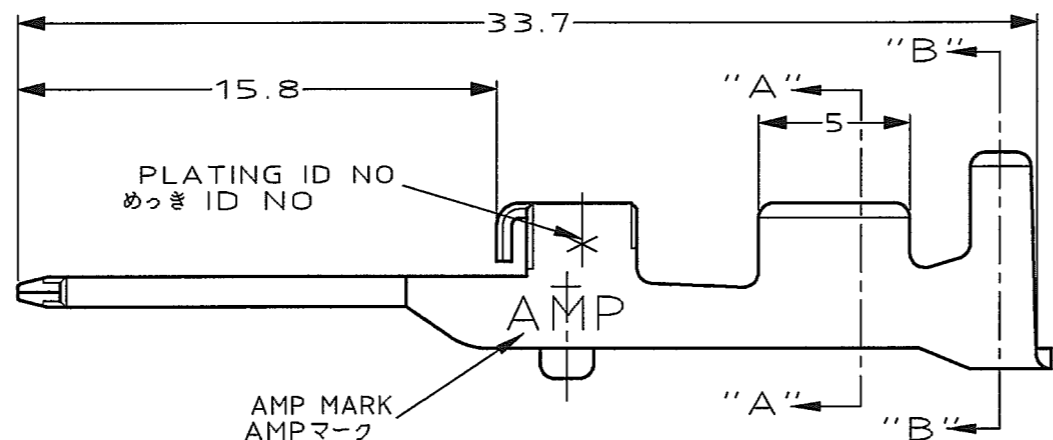
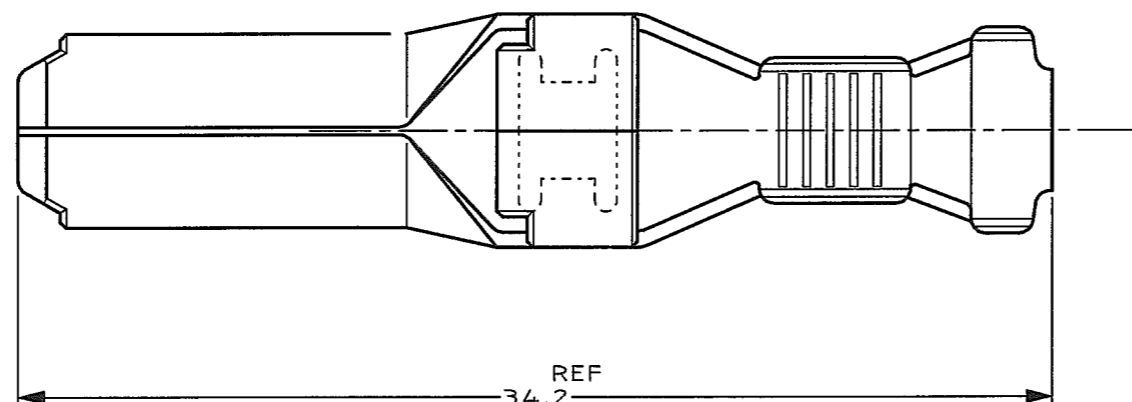
断面 "B"- "B"
SECT "B"- "B"



コンタクトIDマーク
CONTACT ID MARK



抱合電線断面積 ID マーク
WIRE RANGE ID MARK



注記

- ① めっき: コンタクト: 全面Ni下地
接触部: 0.38μm MIN金めっき
- ② めっき: コンタクト: 全面Ni下地
接触部: 0.76μm MIN金めっき
- ③ めっき: コンタクト: 全面Ni下地
全面: 2.54μm MIN銀めっき

NOTES

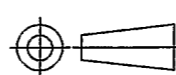
- ① FINISH(CONTACT AREA): 0.38μm MIN GOLD PLATING OVER NI PLATING
- ② FINISH(CONTACT AREA): 0.76μm MIN GOLD PLATING OVER NI PLATING
- ③ FINISH(CONTACT AREA): 2.54μm MIN SILVER PLATING OVER NI PLATING

6	③	917805-6
3	②	917805-3
2	①	917805-2
めっき ID NO PL ID CODE	仕上 FINISH	バラ状 L/P (P/N)型番

WIRE RANGE 抱合電線断面積	3.08/5.5sq AWG #12/#10	INSULATION DIA 被覆外径	4/5.2 mm φ
DWN 26/JUN/'97 K.IKEDA CHK 27/JUN/'97 N.MATSUBARA APVD 27/JUN/'97 I.HASEGAWA		Tyco Electronics AMP K.K. Kawasaki, Japan	
PRODUCT SPEC 製品規格 108-5453			
APPLICATION SPEC 取付適用規格 114-5206			
SIZE	CAGE CODE	DRAWING NO	
A3	00779	917805	
SCALE 尺度		SHEET 1 OF 1	
4-1		REV A	

THIS DRAWING IS A CONTROLLED DOCUMENT FOR AMP INCORPORATED. IT IS SUBJECT TO CHANGE AND THE CONTROLLING ENGINEERING ORGANIZATION SHOULD BE CONTACTED FOR THE LATEST REVISION.

DIMENSIONS:
単位 寸
mm



TOLERANCES UNLESS OTHERWISE SPECIFIED

一般公差	1% : ±0.3
3%	>10 : ±0.35
10%	>30 : ±0.4
ANGLE	±3°

MATERIAL
材料
銅合金
(COPPER ALLOY)

FINISH
仕上
SEE TABLE
表参照

WEIGHT
1.85g
CUSTOMER DRAWING

Mouser Electronics

Authorized Distributor

Click to View Pricing, Inventory, Delivery & Lifecycle Information:

[TE Connectivity:](#)

[917805-3](#)