

THIS DRAWING IS UNPUBLISHED.

RELEASED FOR PUBLICATION

ALL RIGHTS RESERVED.

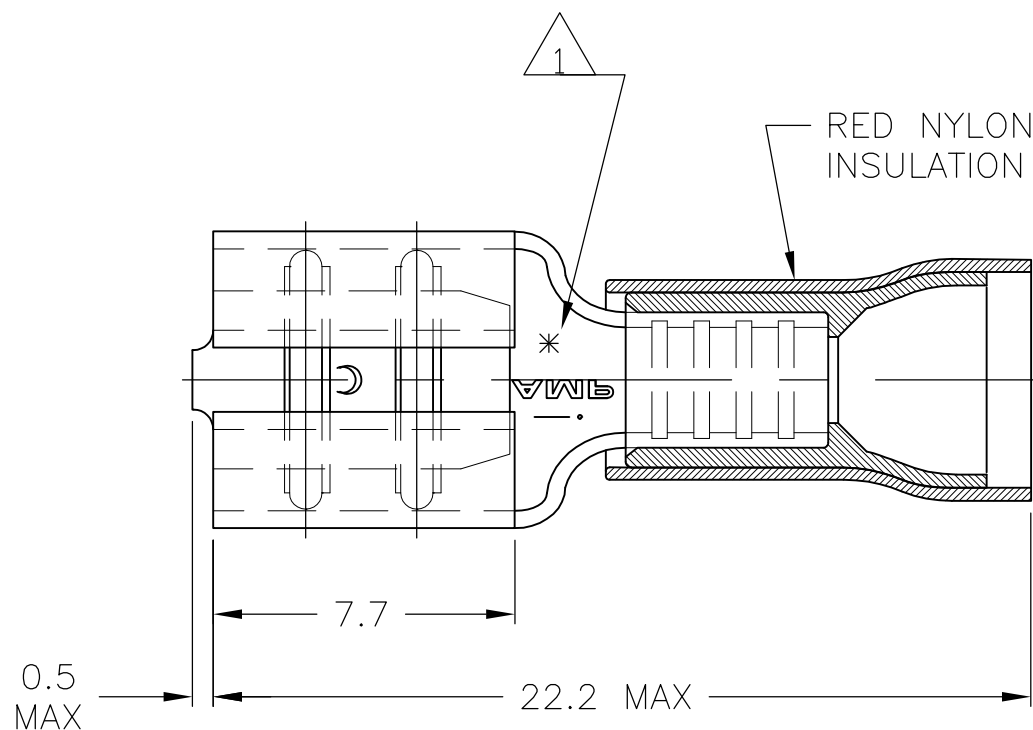
© COPYRIGHT - By -

LOC  
G

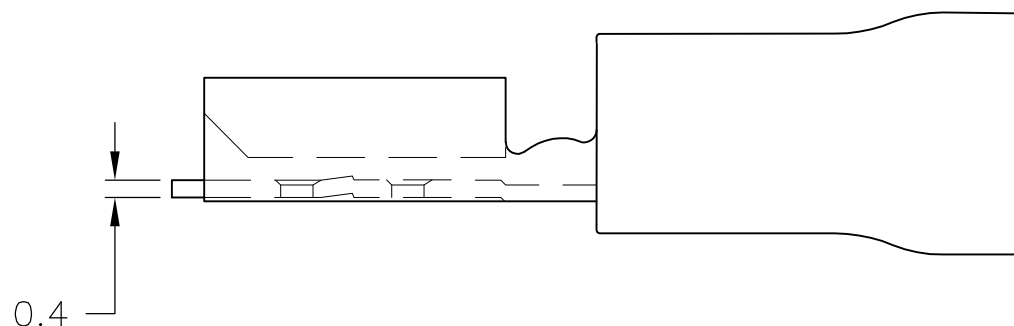
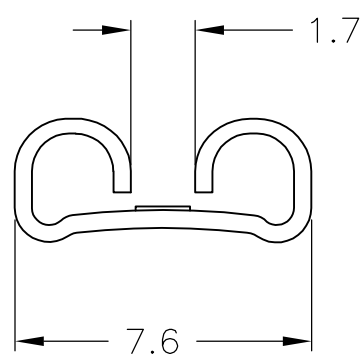
DIST  
86

REVISIONS

P	LTR	DESCRIPTION	DATE	DWN	APVD
	L5	REVISED PER ECO-11-004587	11MAR11	RK	HMR



- △ 1 ASTERISK \* FOR PHOS BRONZE VERSION ONLY.
- 2 WIRE RANGE: 0,3-1,5mm<sup>2</sup>
- 3 INSULATION RANGE: 3,5mm MAX DIA.
- 4 MATING TAB THK IS 0,8
- △ 5 SUPERSEDED BY 9-160583-5
- △ 6 SUPERSEDED BY 9-160583-6
- △ 7 SUPERSEDED BY 5-160583-2
- △ 8 SUPERSEDED BY 5-160583-5



PACKAGE TYPE	FINISH	MATERIAL	PART NO.
TAPE MOUNTED	GOLD PLATED	△ 1 PHOS. BRONZE	5-160583-7 △ 8
	SILVER PLATED	△ 1 PHOS. BRONZE	5-160583-6 △ 8
	TIN PLATED	△ 1 PHOS. BRONZE	5-160583-5
	GOLD PLATED	BRASS	5-160583-4 △ 7
	SILVER PLATED	BRASS	5-160583-3 △ 7
	TIN PLATED	BRASS	5-160583-2
LOOSE PIECE	TIN-LEAD	△ 1 PHOS. BRONZE	9-160583-8 △ 5
	GOLD PLATED	△ 1 PHOS. BRONZE	9-160583-7 △ 6
	SILVER PLATED	△ 1 PHOS. BRONZE	9-160583-6
	TIN PLATED	△ 1 PHOS. BRONZE	9-160583-5
	GOLD PLATED	BRASS	9-160583-4 △ 6
	SILVER PLATED	BRASS	9-160583-3 △ 6
	TIN PLATED	BRASS	9-160583-2

THIS DRAWING IS A CONTROLLED DOCUMENT.		DWN JR RUTH 25AUG2004	<b>STE</b> TE Connectivity	
DIMENSIONS: mm		CHK T MICHELUTTI 25AUG04		
TOLERANCES UNLESS OTHERWISE SPECIFIED:		APVD T MICHELUTTI 25AUG04	NAME RECEPTACLE, FASTON, P.I.D.G., .250 SERIES	
0 PLC ± -		PRODUCT SPEC	SIZE	
1 PLC ± -		APPLICATION SPEC	CAGE CODE	DRAWING NO
2 PLC ± 0.38		WEIGHT	RESTRICTED TO	
3 PLC ± -			A3 00779 C-160583	
4 PLC ± -			SCALE	SHEET
ANGLES ± -			4:1	1 OF 1
FINISH			REV	L5
MATERIAL			CUSTOMER DRAWING	

# Mouser Electronics

Authorized Distributor

Click to View Pricing, Inventory, Delivery & Lifecycle Information:

[TE Connectivity:](#)

[9-160583-2](#)