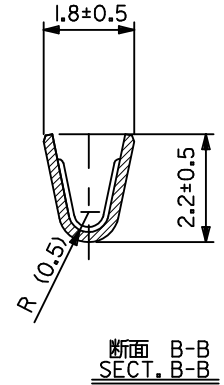
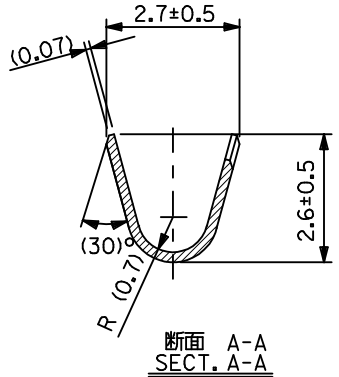
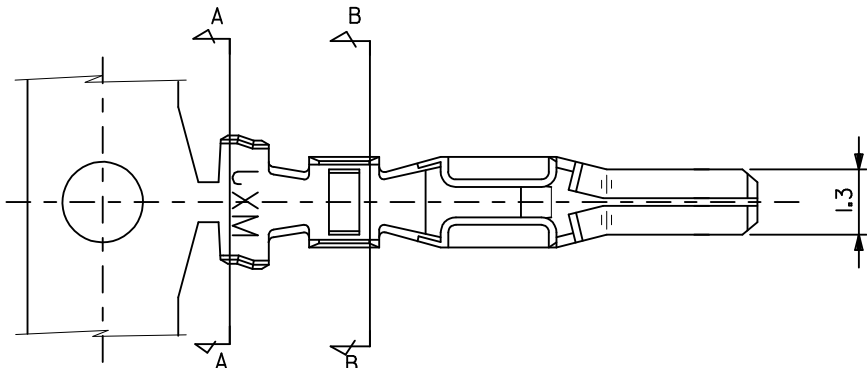
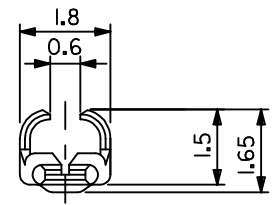
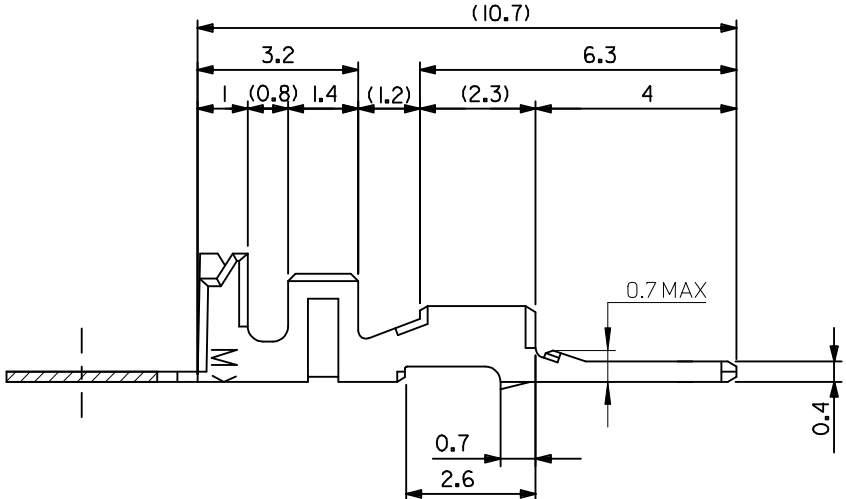


10 9 8 7 6 5 4 3 2 1



注記
NOTES

1. 適合ハウジング アッセンブリ; 52266-***
APPLICABLE HS'G ASS'Y; 52266-***
2. 嵌合相手; 50148-8*00
MATES WITH; 50148-8*00



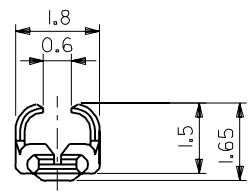
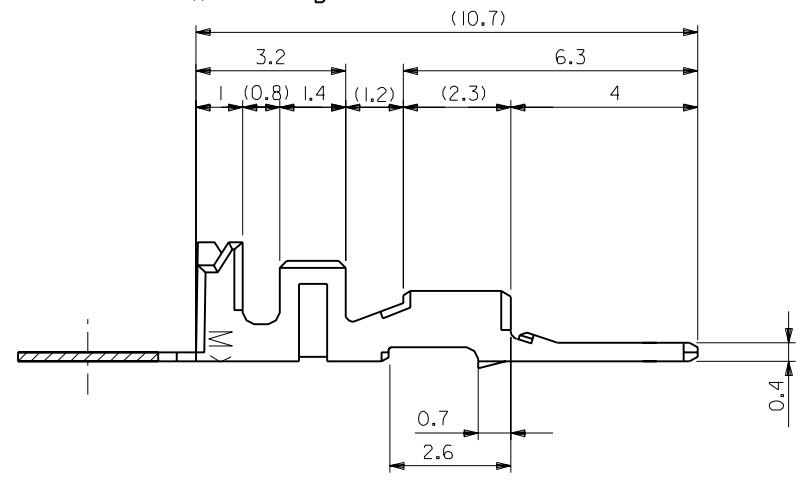
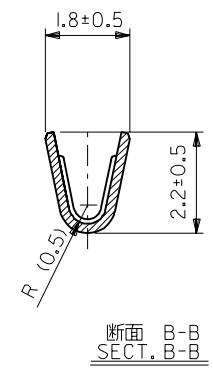
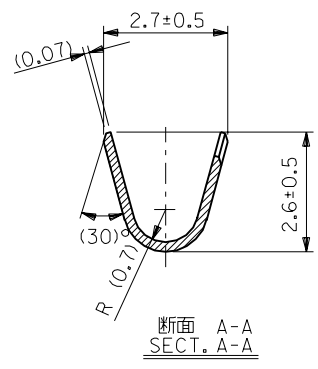
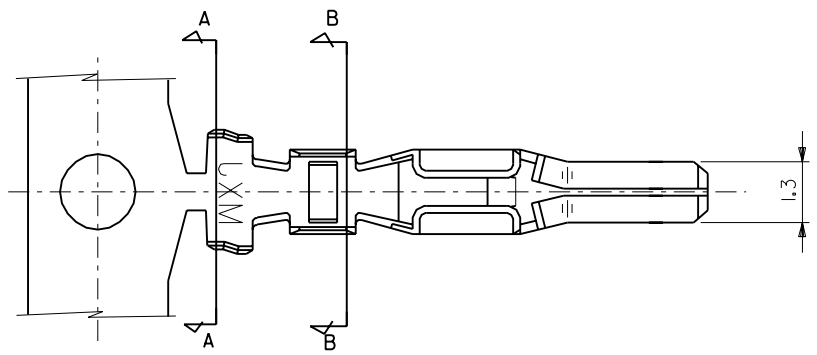
50147-8100	バラ状 LOOSE
50147-8000	連鎖状 CHAIN
製品番号 ENG.NO.	端子形状 FORM

材料 MATERIAL	リン青銅 錫メッキ(±0.2) PHOSPHOR BRONZE TIN PLATING(±0.2)
適用電線範囲 WIRE RANGE	AVSS-0.3 AVSS-0.5 CAVS-0.3 CAVS-0.5
被覆外径 INS. RANGE	φ1.4-1.7

REVISED & REDRAWN EC NO: JTR2010-0004 DRM: NISHIBATA 2009/07/28 CHKD: TAITO 2009/07/28 APPR: MAYAMOTO 2009/07/28	GENERAL TOLERANCES (UNLESS SPECIFIED)	DIMENSION STYLE MM ONLY	SCALE 10:1	DESIGN UNITS METRIC	THIRD ANGLE PROJECTION
	10 UNDER ±0.3	DRAWN BY M. SANO	DATE 1991/7/17	TITLE 2.5 MINI SPLASH PROOF CONN. CRIMP PIN.	
	10 OVER 30 UNDER ±0.25	CHECKED BY M. SAKANO	DATE 1992/8/6		
	30 OVER ±0.2	APPROVED BY M. ENOMOTO	DATE 1992/8/6		
ANGULAR ±3°	MATERIAL NO.	DOCUMENT NO.			
DRAFT WHERE APPLICABLE MUST REMAIN WITHIN DIMENSIONS	SEE CHART	MOLEX INCORPORATED		SD-50147-8*00	
	SIZE A3	THIS DRAWING CONTAINS INFORMATION THAT IS PROPRIETARY TO MOLEX INCORPORATED AND SHOULD NOT BE USED WITHOUT WRITTEN PERMISSION			

DIMENSIONS IN METRIC DO NOT SCALE DRAWING

EDP NO. ENG. NO. SD-50147-8*00



- 注記**
NOTES
1. 適合ハウジング アッセンブリ; 52266-*** |
APPLICABLE HS'G ASS'Y; 52266-*** |
 2. 嵌合相手; 50148-8*00
MATES WITH; 50148-8*00

50147-8100	バラ状 LOOSE
50147-8000	連鎖状 CHAIN
製品番号 ENG.No.	端子形状 FORM

材料 MATERIAL	リン青銅 錫メッキ (t=0.2) PHOSPHOR BRONZE TIN PLATING (t=0.2)
仕上げ FINISH	
適用電線範囲 WIRE RANGE	AVSS-0.3 AVSS-0.5 CAVS-0.3 CAVS-0.5
被覆外径 INS. RANGE	φ 1.4-1.7
DRAWN BY	9/17/17 M.SANO
CHK'D BY	9/28/16 M.SAKANO
APP'D BY	9/28/16 M.ENOMOTO
尺度	10-1

MOLEX-JAPAN CO.,LTD. 日本モレックス株式会社	
EDP. NO.	
ENG. NO.	REV
SD-50147-8*00	A
TITLE 名称 2.5 MINI SPLASH PROOF CONN. CRIMP PIN.	

角度 ANGLE	±3°
30以上 OVER	+0.3
10以上 30未満 OVER UNDER	+0.25
10未満 UNDER	+0.2
一般公差 GENERAL TOLERANCES	

REVISION RECORD

記号 LTR	変更内容 REVISION RECORD	DR. CHK.	日付 DATE
A	変更 REVISED (J20708)	M.S.	'92/8/6
O	新規作成 PROPOSED (J10601)	M.S.	9/18/20

THIS DRAWING CONTAINS INFORMATION THAT IS PROPRIETARY TO MOLEX(JAPAN) AND SHOULD NOT BE USED WITHOUT WRITTEN PERMISSION
本図面は日本モレックス(株)の所有する情報を含むもので 当社の許可なく複製を禁止する。