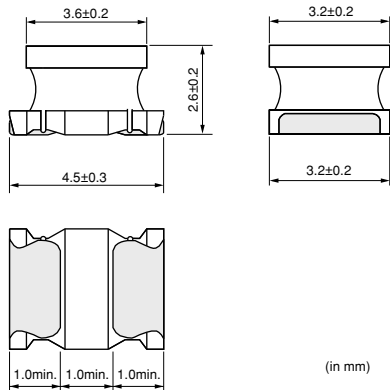


Chip Inductor (Chip Coil) Power Inductor (Wire Wound Type)

LQH43P_26 Series (1812 Size)

■ Dimensions



■ Packaging

Code	Packaging	Minimum Quantity
L	180mm Embossed Tape	500
K	330mm Embossed Tape	2500

■ Rated Value (□: packaging code)

Part Number	Inductance	Rated Current (Based on Inductance Change)	Rated Current (Based on Temperature Rise)	DC Resistance	Self Resonance Frequency (min.)
LQH43PN1R0N26□	1.0μH ±30%	3400mA	3300mA	0.026ohm ±20%	100MHz
LQH43PN2R2M26□	2.2μH ±20%	2300mA	2500mA	0.042ohm ±20%	45MHz
LQH43PN3R3M26□	3.3μH ±20%	1800mA	2100mA	0.052ohm ±20%	40MHz
LQH43PN4R7M26□	4.7μH ±20%	1400mA	1600mA	0.075ohm ±20%	35MHz
LQH43PN6R8M26□	6.8μH ±20%	1200mA	1400mA	0.098ohm ±20%	30MHz
LQH43PN8R2M26□	8.2μH ±20%	1100mA	1300mA	0.128ohm ±20%	25MHz
LQH43PN100M26□	10μH ±20%	1050mA	1170mA	0.147ohm ±20%	20MHz
LQH43PN220M26□	22μH ±20%	700mA	780mA	0.327ohm ±20%	15MHz
LQH43PN470M26□	47μH ±20%	470mA	520mA	0.718ohm ±20%	8MHz
LQH43PN101M26□	100μH ±20%	320mA	320mA	1.538ohm ±20%	4MHz
LQH43PN151M26□	150μH ±20%	280mA	260mA	2.362ohm ±20%	3MHz
LQH43PN221M26□	220μH ±20%	220mA	240mA	2.900ohm ±20%	2MHz

Test Frequency: 1MHz Class of Magnetic Shield: Magnetic shield of magnetic powder in resin

Operating Temperature Range (Self-temperature rise is not included): -40 to +85°C

■ Notice (Rated Current)

When Rated Current is applied to the Products,
Inductance will be within ±30% of nominal
Inductance value.

When Rated Current is applied to the Products,
self-generation of heat will rise to 40°C or less.

Continued on the following page.

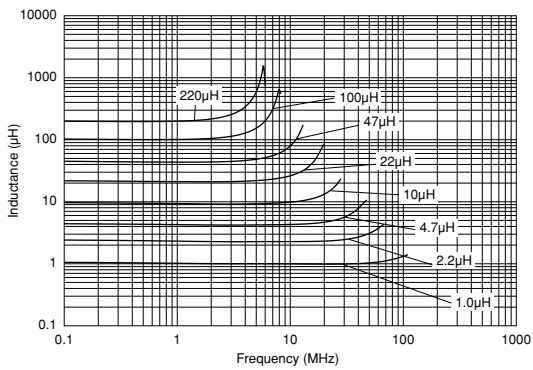
● This data sheet is applied for CHIP INDUCTORS (CHIP COILS) used for General Electronics equipment for your design.

⚠ Note:

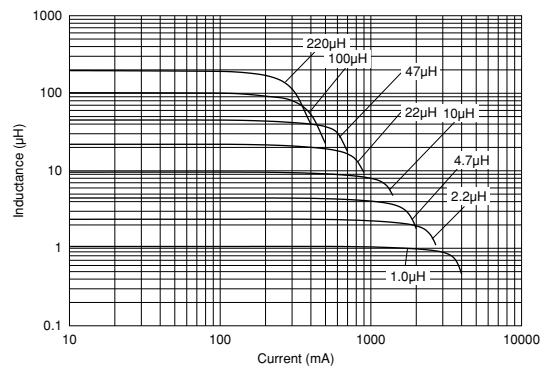
- This datasheet is downloaded from the website of Murata Manufacturing co., Ltd. Therefore, it's specifications are subject to change or our products in it may be discontinued without advance notice. Please check with our sales representatives or product engineers before ordering.
- This datasheet has only typical specifications because there is no space for detailed specifications. Therefore, please approve our product specifications or transact the approval sheet for product specifications before ordering.

Continued from the preceding page.

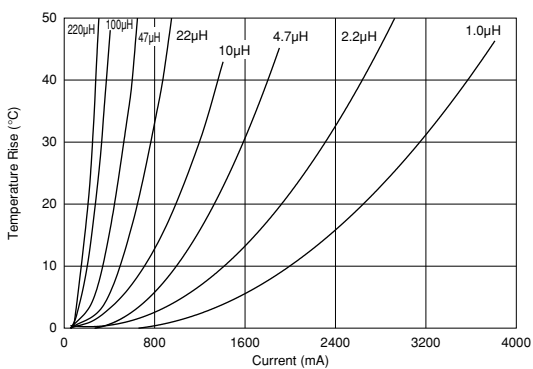
Inductance-Frequency Characteristics (Typ.)



Inductance-Current Characteristics (Typ.)



Temperature Rise Characteristics (Typ.)



Caution/Notice

Caution (Rating)

Do not use products beyond the rated current as this may create excessive heat.

Notice

Solderability of Tin plating termination chip might be deteriorated when low temperature soldering profile where peak solder temperature is below the Tin melting point is used. Please confirm the solderability of Tin plating termination chip before use.

● This data sheet is applied for CHIP INDUCTORS (CHIP COILS) used for General Electronics equipment for your design.

Note:

1. This datasheet is downloaded from the website of Murata Manufacturing Co., Ltd. Therefore, its specifications are subject to change or our products in it may be discontinued without advance notice. Please check with our sales representatives or product engineers before ordering.
2. This datasheet has only typical specifications because there is no space for detailed specifications. Therefore, please approve our product specifications or transact the approval sheet for product specifications before ordering.