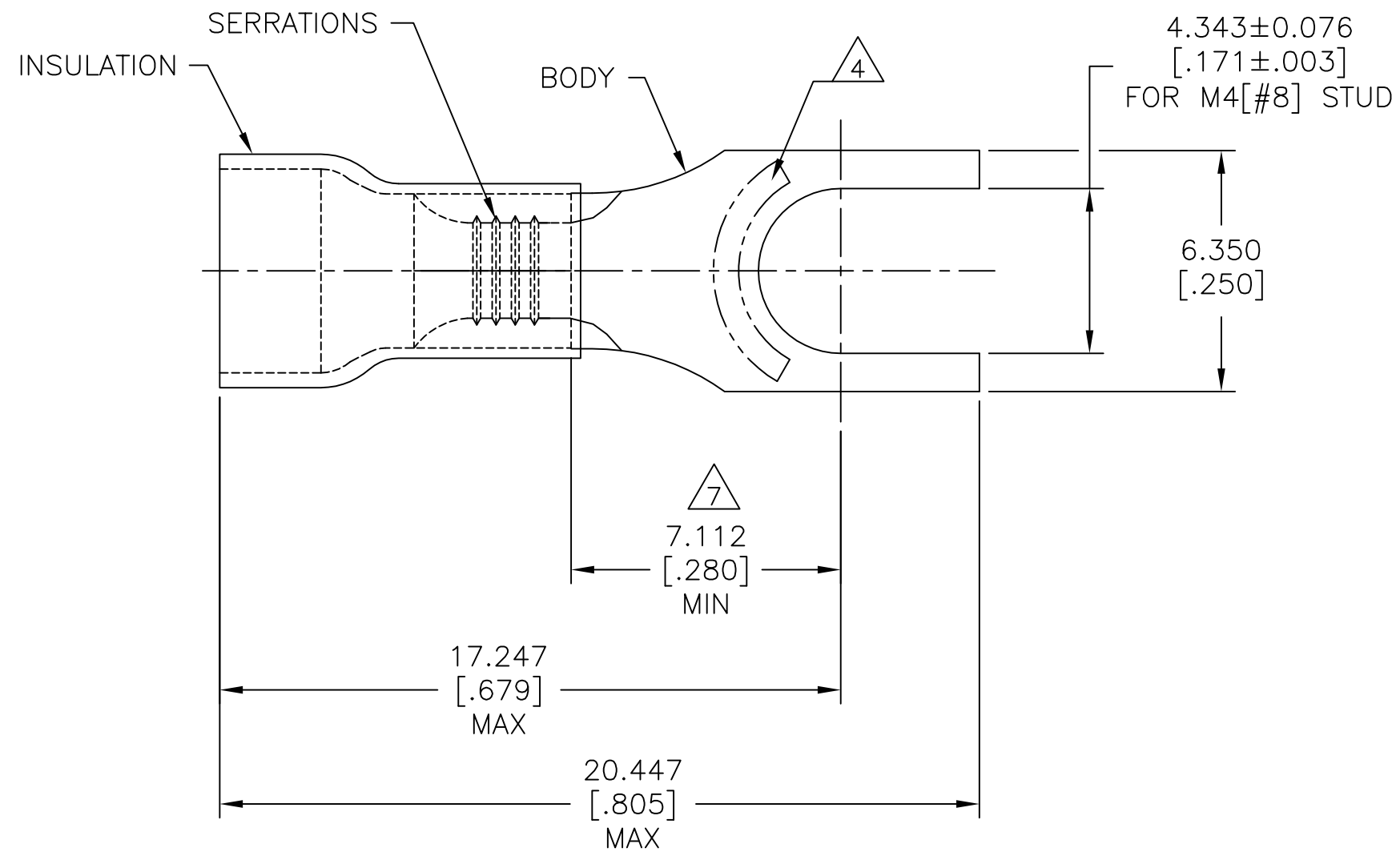


REVISIONS					
P	LTR	DESCRIPTION	DATE	DWN	APVD
	C2	REVISED PER ECO-18-000057	05JAN2018	RS	DR

- 1 NOTE DELETED.
- 2 NOTE DELETED.
- 3 BODY MATERIAL THICKNESS:  
0.787±0.051[.031±.002]
- △4 STAMP AMP 16-14\* APPROX AS SHOWN.
- △5 MATERIAL:  
BODY: COPPER PER ASTM B152  
INSULATION: PVC.
- △6 FINISH:  
BODY: TIN PER ASTM B152  
INSULATION: COLOR - BLUE.
- △7 APPLIES FROM CENTER OF STUD HOLE TO  
EDGE OF METAL WIRE BARREL.



5000	ON TAPE	ø3.048-4.953[ø.120-.195]	2-165012-0
1000	LOOSE PIECE	ø3.048-4.953[ø.120-.195]	165012
QTY.	PACKAGE TYPE	INSUL-RANGE	PART NUMBER

CUSTOMER SERVICE SYSTEMS		MAX RECOMMENDED OPERATING TEMPERATURE: 105°C [221°F]	THIS DRAWING IS A CONTROLLED DOCUMENT.		DWN RAVI S 05JAN2018	TE Connectivity PLASTI-GRIP, TERMINAL, SPADE, 16-14 AWG				
FOR ADDITIONAL PRODUCT INFORMATION OR COPIES OF DRAWINGS AND TECHNICAL DOCUMENTS	PRODUCT INFORMATION CENTER 1-800-522-6752	VOLTAGE RATING: 600 V	DIMENSIONS: mm [INCHES]	TOLERANCES UNLESS OTHERWISE SPECIFIED:	CHK ROHDE DANIEL F 05JAN2018					NAME
FOR APPLICATION TOOLING INFORMATION	TOOLING ASSISTANCE CENTER 1-800-722-1111	CIRCULAR MIL AREA: 1.04-2.62mm²[2,050-5,180] SOLID OR STRANDED		0 PLC ± - 1 PLC ± - 2 PLC ± - 3 PLC ± 0.127[.005] 4 PLC ± - ANGLES ± -	APVD ROHDE DANIEL F 05JAN2018	PRODUCT SPEC UL 486 A-B			RESTRICTED TO	
FOR ORDER ENTRY	1-800-526-5142	THIS DRAWING IS A CONTROLLED DOCUMENT FOR AMP INCORPORATED. IT IS SUBJECT TO CHANGE AND THE CONTROLLING ENGINEERING ORGANIZATION SHOULD BE CONTACTED FOR THE LATEST REVISION.	MATERIAL △5	FINISH △6	APPLICATION SPEC 114-2161			SIZE A3	CAGE CODE 00779	DRAWING NO C-165012
					CUSTOMER DRAWING		SCALE NTS	SHEET 1 OF 1	REV C2	