

.100" (2.54 mm) Universal DIP Sockets



- For DIP's with .100" (2.54 mm) lead spacing
- Extra wide contact zone allows insertion of DIP's with distance between rows from .300" (7.62 mm) through .600" (15.24 mm)
- Lever actuated zero insertion force mechanism
- Socket contact point of .090" (2.29 mm) below top surface of socket

Date Issued: February 20, 2001

TS-0392-10
Sheet 1 of 2

13

Physical

Insulation

Material: Glass Filled Polysulfone
Flammability: UL 94V-0
Color: Green

Marking: 3M Logo & Part Number Identifier

Contact

Material: Beryllium Copper
Plating: 30 μ " (0.76 μ m) Gold over 50 μ " (1.3 μ m) Nickel

Electrical

Current Rating: 1 Amp
Insulation Resistance: $> 1 \times 10^9 \Omega$ at 500 Vdc
Withstanding Voltage: 1000 Vrms at Sea Level

Environmental

Operating Temperature Rating: - 55° C to +150° C

Mechanical

When used as a test socket at room temperature 24° C the socket will last 20,000 actuations.

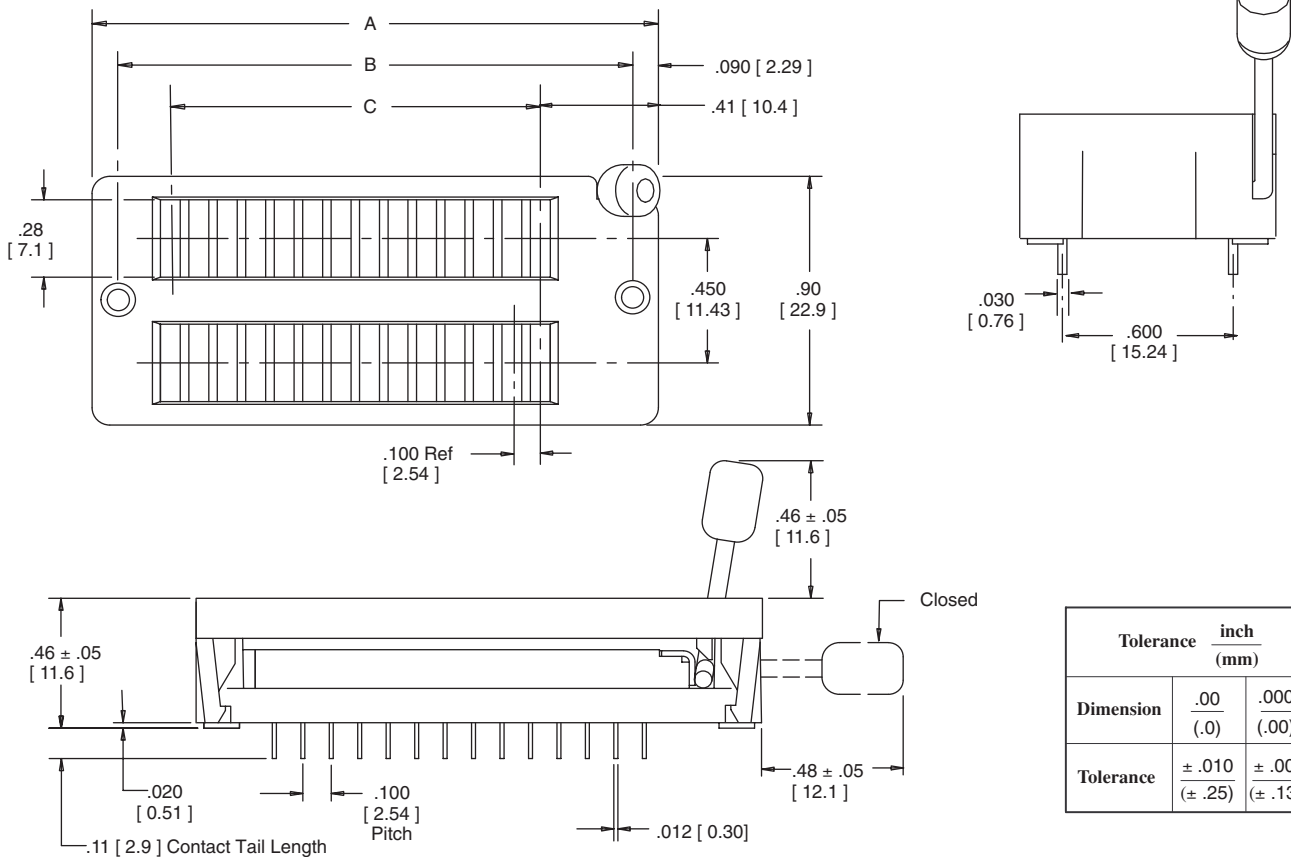
3M Electronic Handling and Protection Division

6801 River Place Blvd.
Austin, TX 78726-9000

For technical, sales or ordering information call **800-328-0411**
or visit our website: <http://www.3M.com/ehpd>

.100" (2.54 mm) Universal DIP Sockets

Contact Quantity	Dimensions		
	A	B	C
24	1.77 [45.0]	1.61 [40.9]	1.100 [27.94]
28	1.99 [50.5]	1.81 [46.0]	1.300 [33.02]
32	2.19 [56.6]	2.01 [51.1]	1.500 [38.10]
40	2.59 [65.8]	2.41 [61.2]	1.900 [48.26]
42	2.69 [68.2]	2.51 [63.8]	2.000 [50.80]



Dimension	Tolerance $\frac{\text{inch}}{\text{(mm)}}$	
	$\frac{.00}{(.0)}$	$\frac{.000}{(.00)}$
Tolerance	$\pm \frac{.010}{(\pm .25)}$	$\pm \frac{.005}{(\pm .13)}$

1 .12 [3.0] Contact Tail Length applies only on 42 position socket.

Ordering Information

Socket Part Number	Contact Quantity	Mating Receptacle Part Number
224-1286-00-0602J	24	224-1275-XX-0602J
228-1371-00-0602J	28	228-1277-XX-0602J
232-1287-00-0602J	32	232-1285-XX-0602J
240-1288-00-0602J	40	240-1280-XX-0602J
242-1289-00-0602J	42	242-1281-XX-0602J

Contact Tail Length:
 XX = 09 Solder Tail .13 [3.3] w/ flanges
 = 19 Wire Wrap Tail .62 [15.8] w/ flanges
 = 29 Solder Tail .13 [3.3] w/out flanges
 = 39 Wire Wrap Tail .62 [15.8] w/out flanges