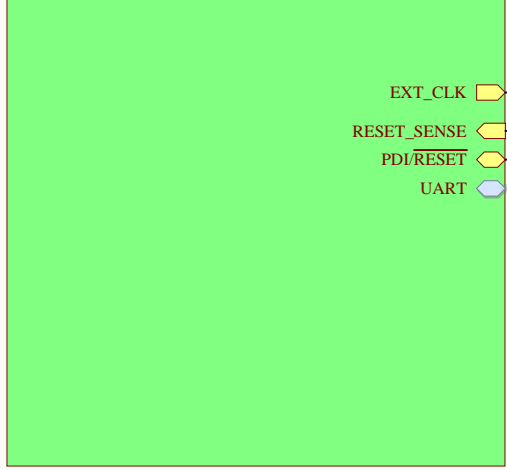
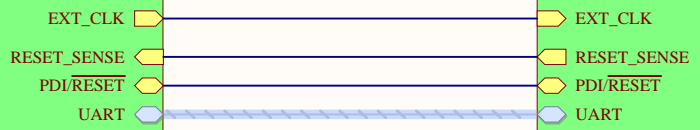
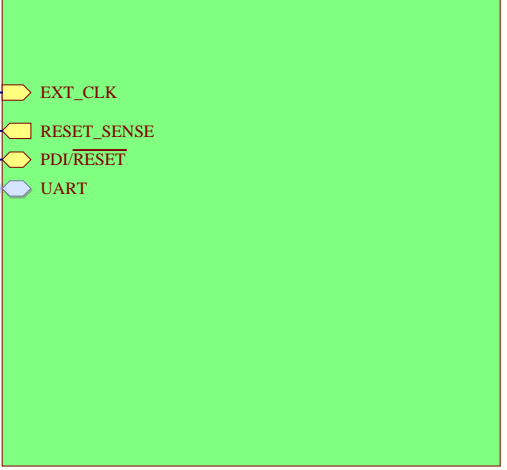


A

Programmer/Debug
 ATtiny817_Xplained_Mini_Programmer.SchDoc



Target device
 ATtiny817_Xplained_Mini_Target.SchDoc



B

C

LABEL1

Product number/revision
 Serial number

Label PCBA

PCB

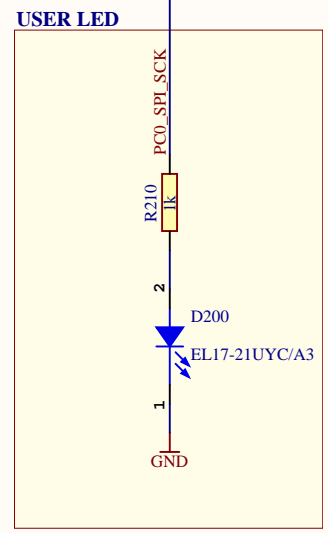
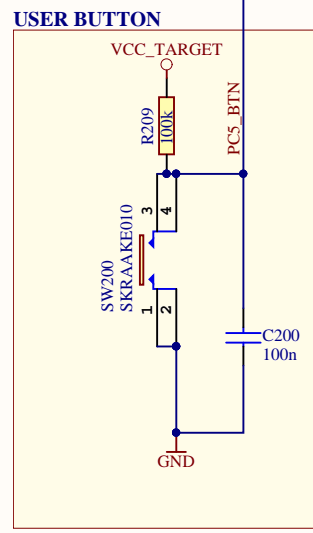
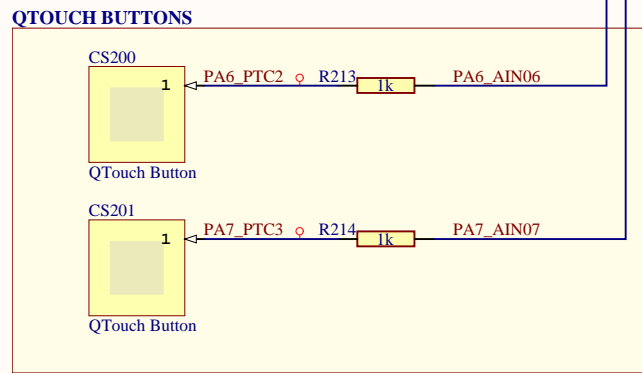
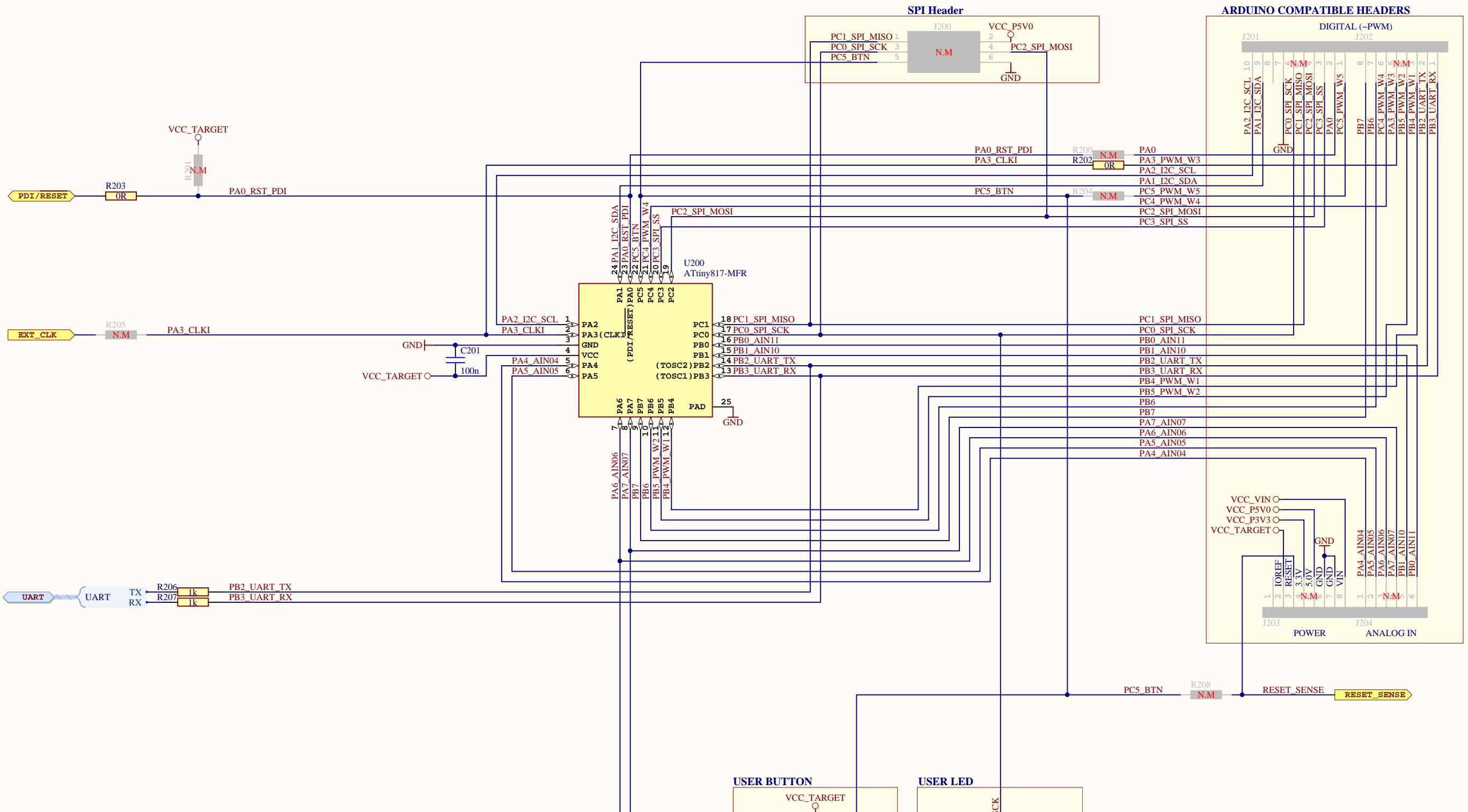
PCB1
 A08-2508

PCBA Documentation

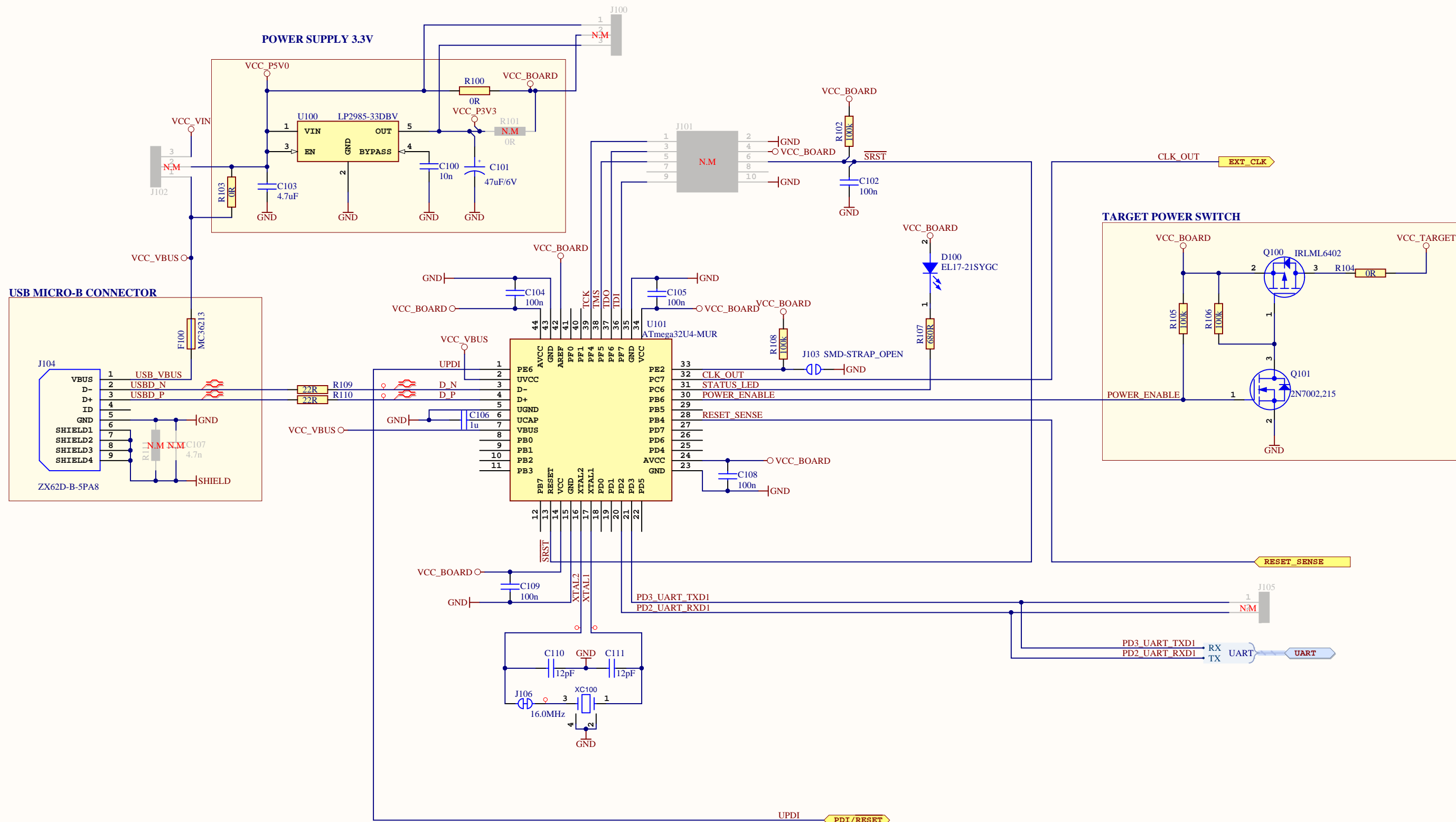
PCBADOC1 A12-1109
 TESTDOC1 A12-1110
 FW1 A11-0252
 TEST1 A11-0331


D

ATMEL Norway	*		<p>Enabling Unlimited Possibilities</p>
Vestre Rosten 79	*		
N-7075 TILLER	*		
NORWAY			
Date:	30.11.2016	13:55:06	PAGE: 1 of 3
Document number:	A09-2658		Revision: 4
TITLE: ATtiny817 Xplained Mini			
ATtiny817_Xplained_Mini_TopLevel.SchDoc			

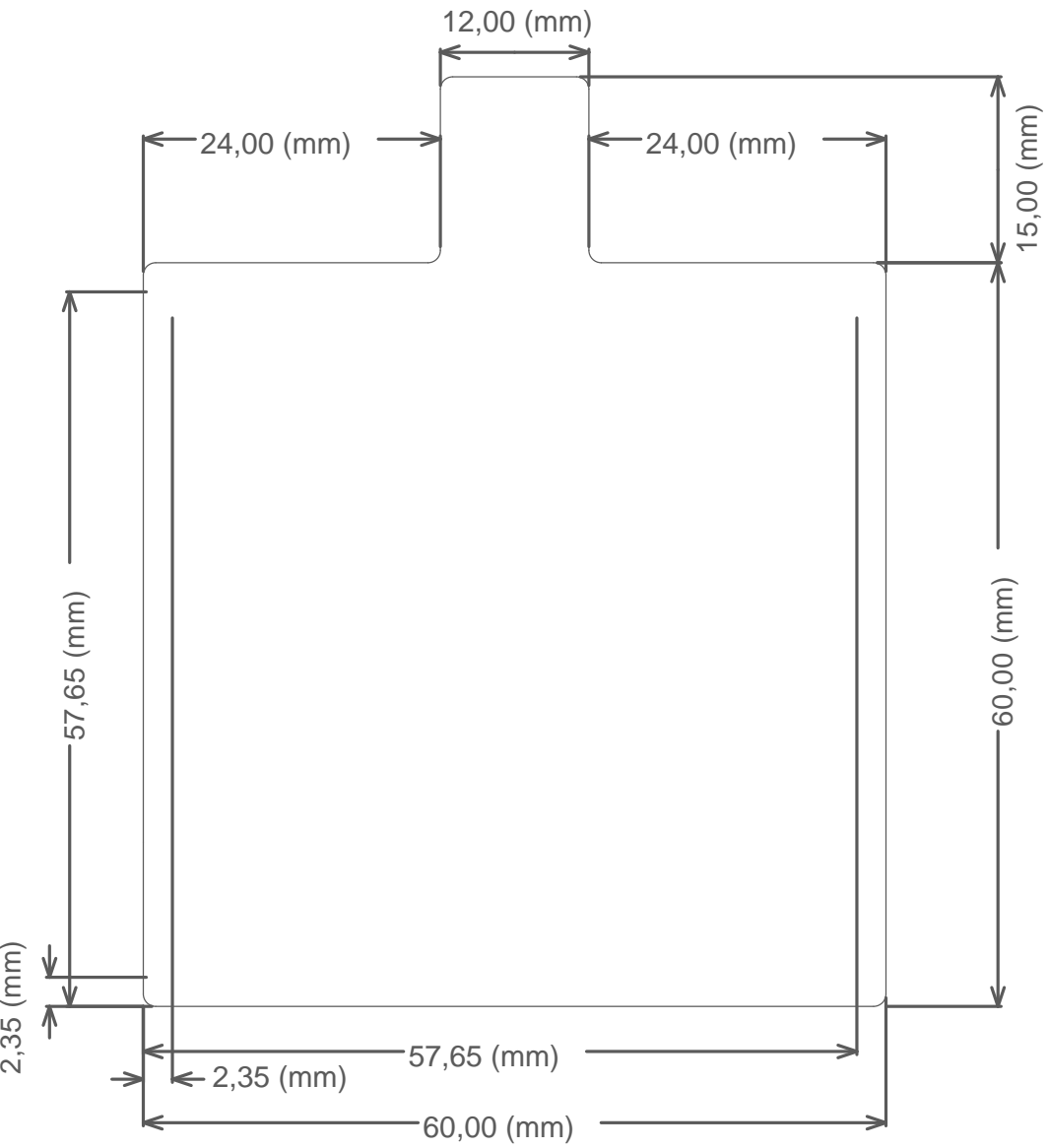


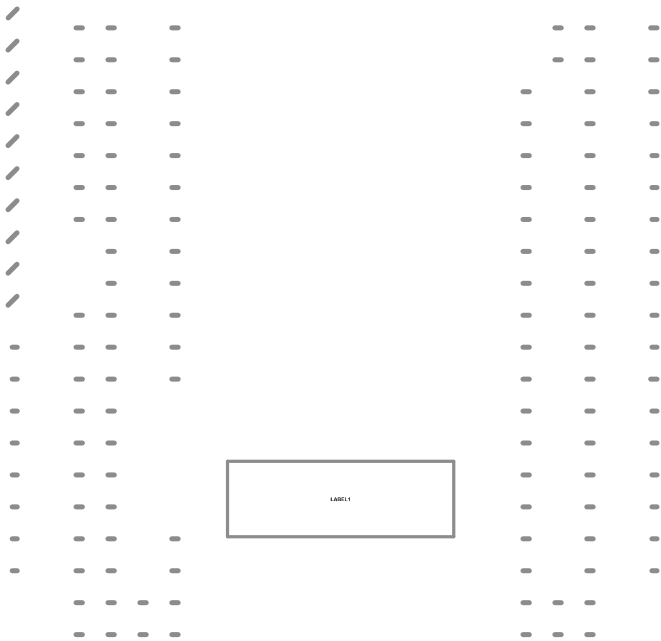
ATMEL Norway	*			 Enabling Unlimited Possibilities
Vestre Rosten 79	*			
N-7075 TILLER	*			
NORWAY				
Date:	30.11.2016	13:55:06	PAGE: 2 of 3	
Document number:	A09-2658		Revision:	4
TITLE: ATtiny817 Xplained Mini				
ATtiny817_Xplained_Mini_Target.SchDoc				

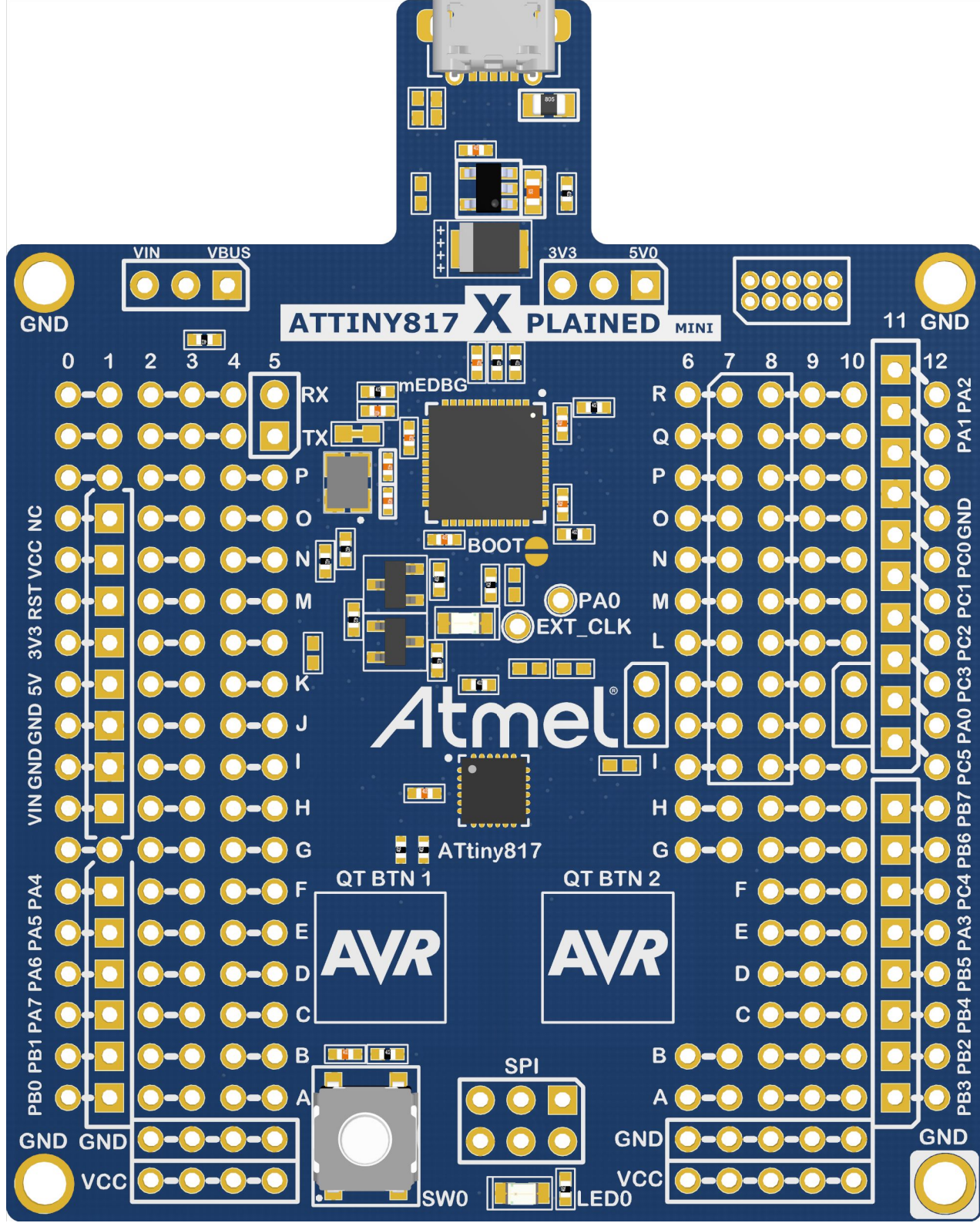


ATMEL Norway	*			
Vestre Rosten 79	*			
N-7075 TILLER	*			
NORWAY				
Date:	30.11.2016	13:55:07	PAGE: 3 of 3	
Document number:	A09-2658		Revision:	4
TITLE: ATtiny817 Xplained Mini				
ATtiny817_Xplained_Mini_Programmer.SchDoc				

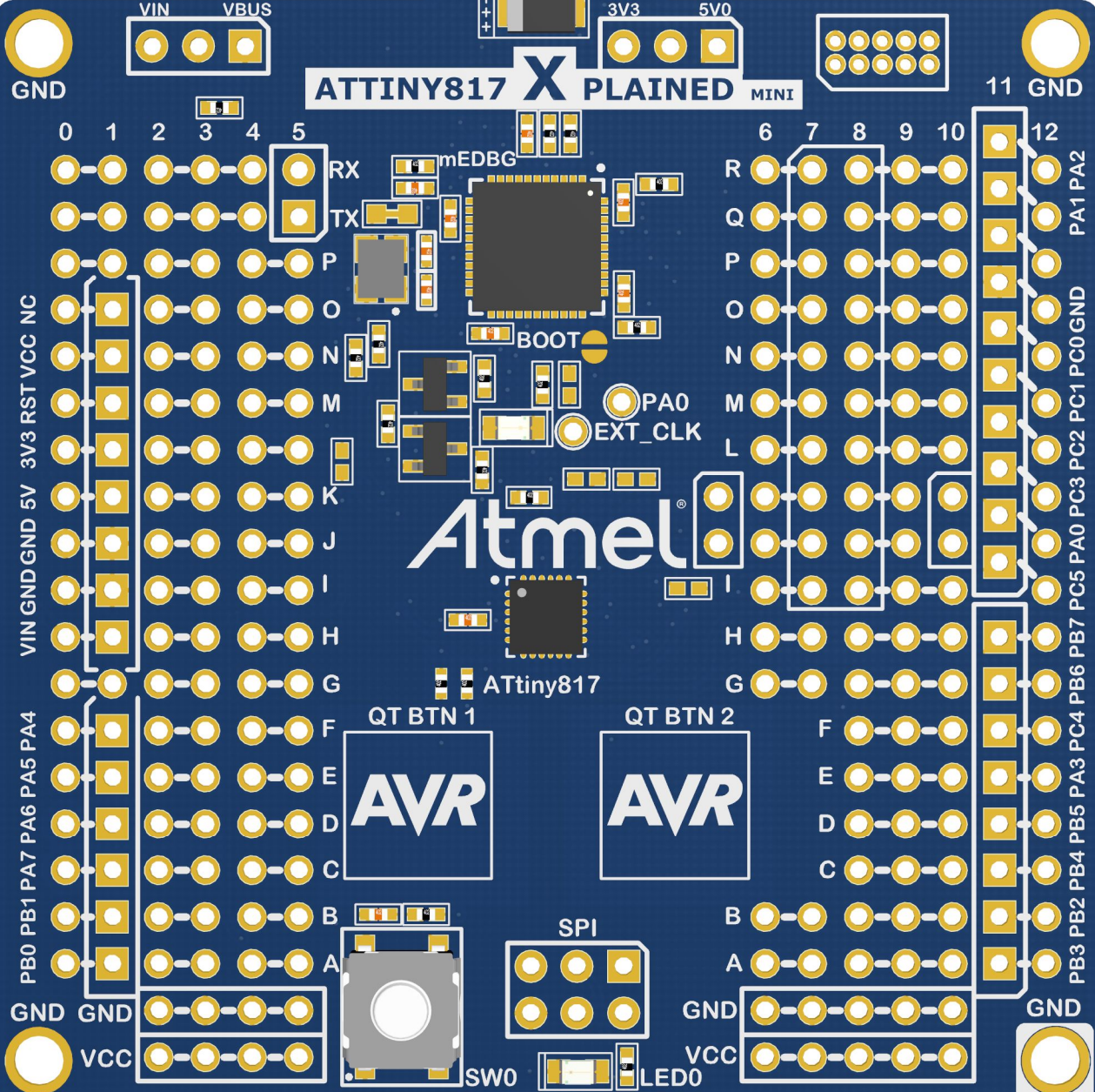
Mechanical Dimensions







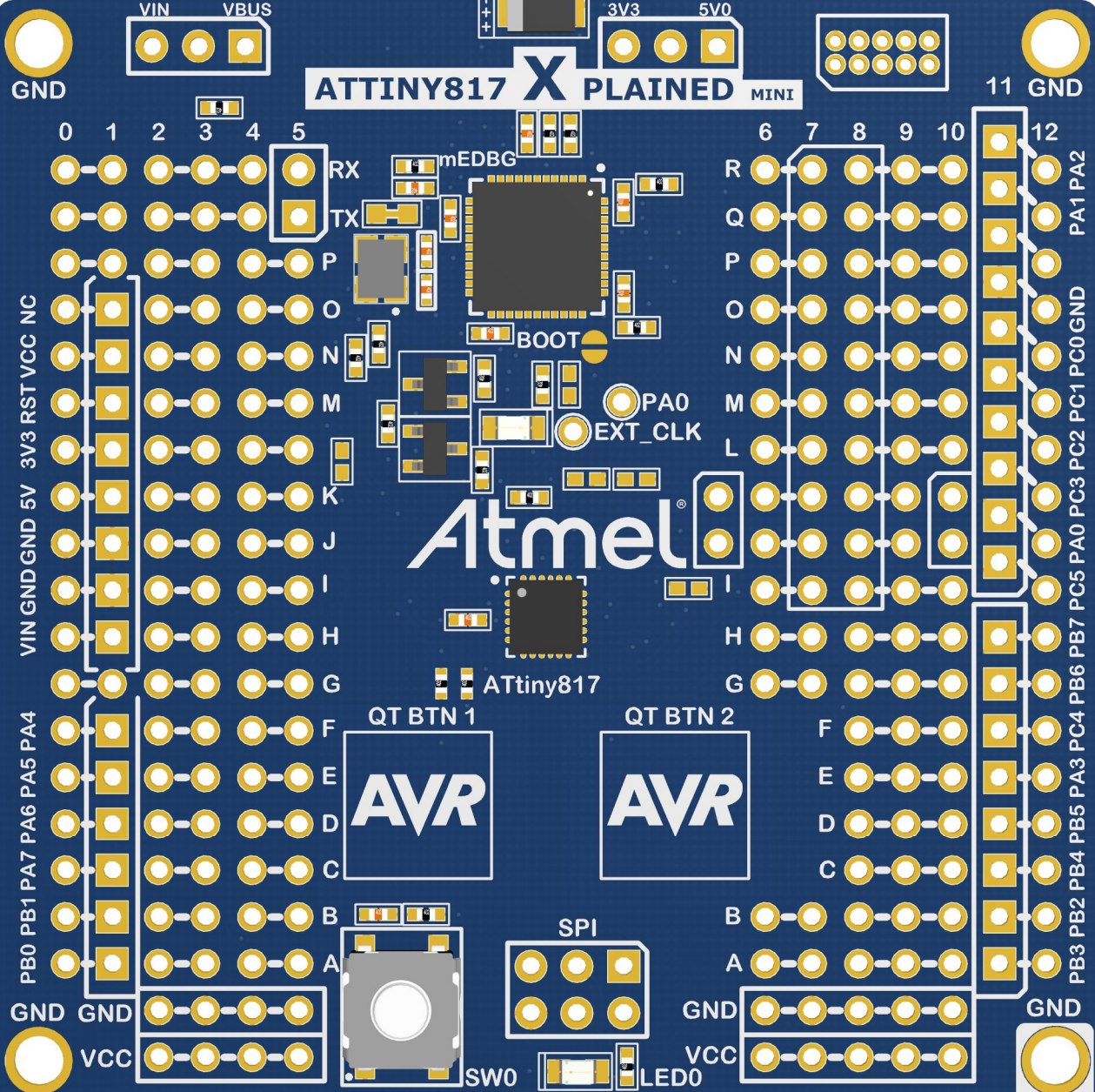
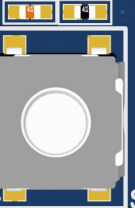
ATTINY817 X PLAINED MINI

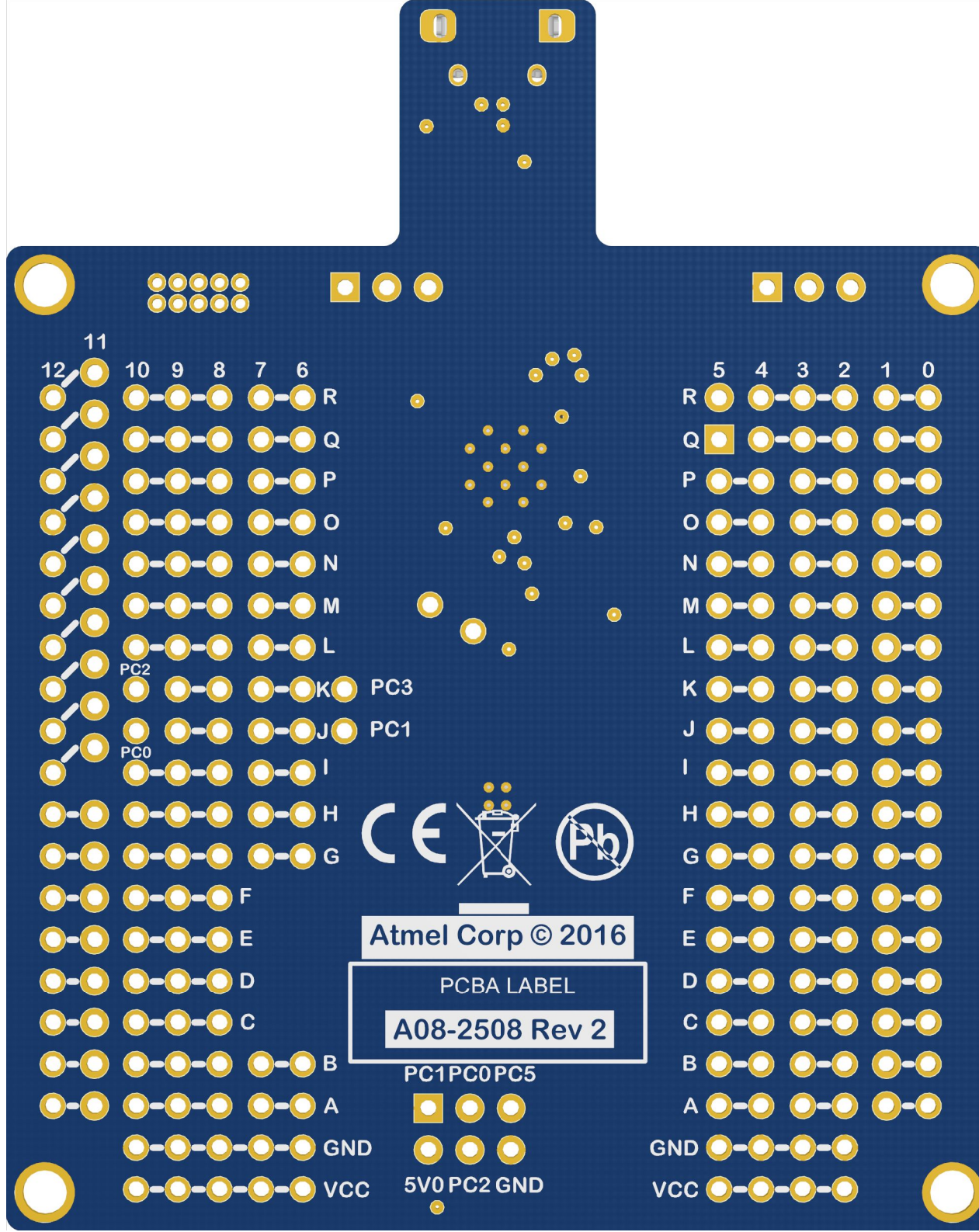


Atmel

AVR

AVR





11
12

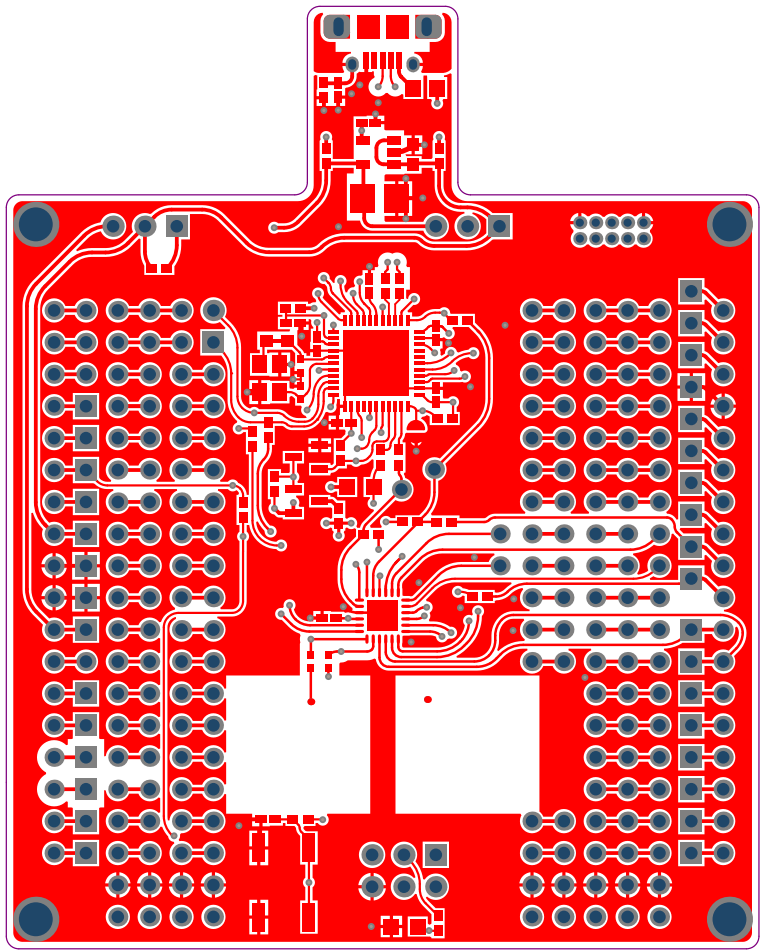
10 9 8 7 6 R
Q
P
O
N
M
L
K PC2 PC3
J PC1
I PC0
H
G
F
E
D
C
B
A
GND
VCC

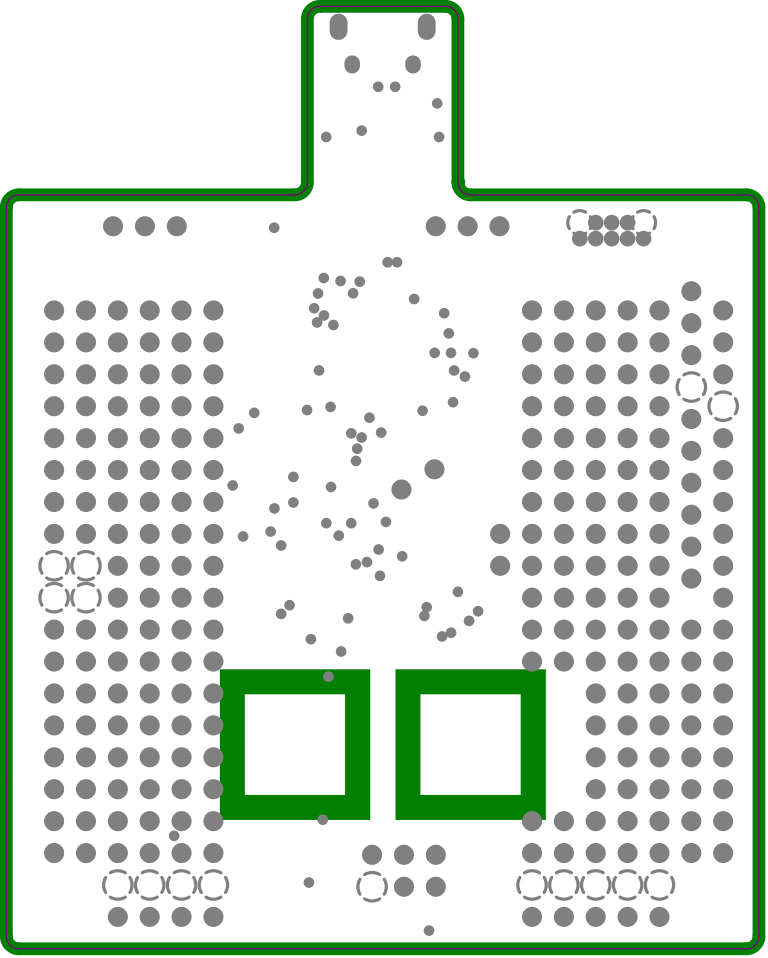


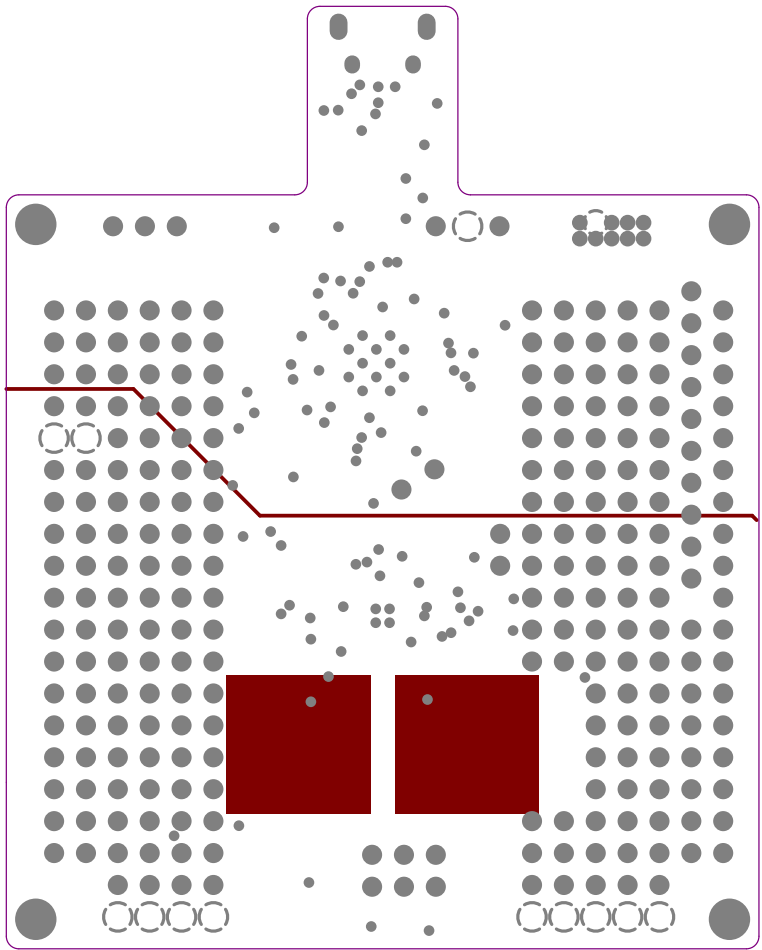
Atmel Corp © 2016
PCBA LABEL
A08-2508 Rev 2

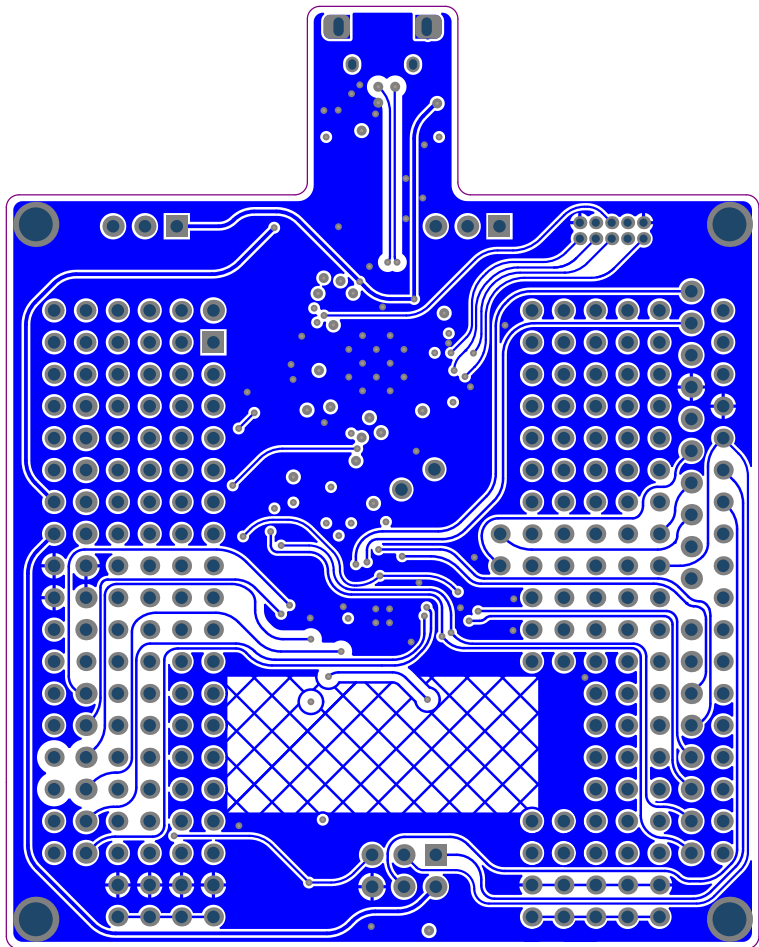
PC1 PC0 PC5
5V0 PC2 GND

5 4 3 2 1 0
R
Q
P
O
N
M
L
K
J
I
H
G
F
E
D
C
B
A
GND
VCC









Component list

Bill of Materials Fitted For Variant [Default_assembly] of Project [ATtiny817_Xplained_Mini.PrjPCB] (No PCB Document Selected)

Source Data From: ATtiny817_Xplained_Mini.PrjPCB
 Project: ATtiny817_Xplained_Mini.PrjPCB
 Variant: Default_assembly



Report Date: 30.11.2016 13:55:44
 Print Date: 30.11.2016 13:52:12

Fitted	Designator	Quantity	Value	Manufacturer	MPN	Description
Fitted	C100	1	10n	YAGEO CORP	CO0402KR7R8B8103	Ceramic capacitor, SMD 0402, X7R, 25V, +/-10%
Fitted	C101	1	470uF6V	Kemet	T494B476M006AT	SMD tantalum capacitor, precision molded chip, ESR=0.5
Fitted	C102, C104, C105, C108, C109, C200, C201	7	100n	Kemet	CO402C104K4RACTU	Ceramic capacitor, SMD 0402, X7R, 16V, +/-10%
Fitted	C103	1	4.7uF	AVX	0603ZD475KA1ZA	Ceramic capacitor, SMD 0603, X5R, 10V, ±10 %
Fitted	C106	1	1u	Kemet	CO402C105K9PAC	Ceramic capacitor, SMD 0402, X5R, 6.3V, +/-10% (de26942)
Fitted	C110, C111	2	12pF	Kyocera-elco	CM05CG120J50AH	Ceramic capacitor, SMD 0402, NPO, 50V, +/-5% (de19819)
Fitted	D100	1	EL17-21SYGC	Everlight	EL17-21SYGC	LED, Green, Wave length=575nm, SMD 0805, ±70°
Fitted	D200	1	EL17-21UYC/A3	Everlight	17-21UYC/SS30-A3/TR8	LED, Yellow, Wave length=591nm, SMD 0805, ±70°
Fitted	F100	1	MC36213	Multicomp	MC36213	Resetable PTC fuse, I _n = 0.5A, I _t = 1.0A, 0805 package
Fitted	FW1	1	MEDBG firmware			MEDBG firmware
Fitted	J104	1	ZX62D-B-5PA8	HIROSE	ZX62D-B-5PA8(30)	Micro USB B Connector, Standard SMF + DP
Fitted	LABEL1	1	Label PCB A	ACT Logmark AS	505462	PCBA identification label PPTop White Gloss
Fitted	PCB1	1	ATtiny817 Xplained Mini PCB documentation			ATtiny807 Xplained Mini PCB documentation
Fitted	PCBADOC1	1	A09-2658 PCB A Files			ATtiny807 Xplained Mini PCB A documentation
Fitted	Q100	1	IRLML6402	International Rectifier	IRLML6402PBF	P-ch. MOSFET, -30V, -3.7A continuous, RDS(ON)=0.050hm@VGS=4.5V, RDS(ON)=0.080hm@VGS=2.5V
Fitted	Q101	1	2N7002.215	IXP	2N7002.215	N-Channel MOSFET, 60V, 0.300A continuous, 1.2A Peak, RDS(ON) = 3.80hm@VGS=4.5V, VGS(th)<2.5V
Fitted	R100, R103, R104, R202, R203	5	0R	(n/a)	RMCF0402ZT0R00	RES 0.0 OHM 1/16W 0402 SMD
Fitted	R102, R105, R106, R108, R209	5	100k	ASJ	CR10-1003-FK	Thick film resistor, SMD 0402, 1/16W, 1%
Fitted	R107	1	680R	ASJ	CR10-6800-FK	Thick film resistor, SMD 0402, 1/16W, 1%
Fitted	R109, R110	2	22R	Samsung	RC100SF22R0CS	Thick film resistor, SMD 0402, 1/16W, 1% (de23607)
Fitted	R206, R207, R210	3	1k	ASJ	CR10-1001-FK	Thick film resistor, SMD 0402, 1/16W, 1%
Fitted	R213, R214	2	1k	ASJ	CR10-1001-FK	Thick film resistor, SMD 0402, 1/16W, 1%
Fitted	SW200	1	SKRAAKE010	ALPS	SKRAAKE010	6.2x6.2 mm SMD tact sw ich, same as A08-0091 but less force is needed
Fitted	TEST1	1	ATtiny817 Xplained Mini test			Fixture test for ATtiny807 Xplained Pro
Fitted	TESTDOC1	1	ATtiny817 Xplained Mini Test Instructions			ATtiny807 Xplained Mini Test Instructions
Fitted	U100	1	LP2985-33DBV	Texas Instruments	LP2985-33DBV	LDO 3.3V 150mA SOT23-5 1.5% (cer. cap)
Fitted	U101	1	ATmega32U4-MUR	ATMEL	ATmega32U4-MUR	ATmega32U4 QFN package
Fitted	U200	1	ATTINY817-MFR	ATMEL	ATTINY817-MFR	Atmel 8-bit RISC MCU
Fitted	XC100	1	16.0MHz	Epson Toyocom	TSX-3225 16.000MF09Z-AC3	16MHz uXtal, 3.2 x 2.5 mm SMD, CL=9pF, 15PPM, ESR=80ohm(Max)
Not Fitted	C107	0	4.7n	PHYCOMP	2238 587 15632	Ceramic capacitor, SMD 0402, X7R, 25V, +/-10% (de35287)
Not Fitted	J100, J102	0	HMTSW-103-23-F-S-237	SAMTEC	HMTSW-103-23-F-S-237	1x3 pin header, 2.54mm pitch, Pin-in-Paste THM, 1mm hole
Not Fitted	J101	0	PIN HEADER 2x5	Garry	176-2-010-0-T-XSO-0730	2x5 pin header, 1.27mm pitch, THM
Not Fitted	J105	0	HMTSW-102-23-F-S-237	SAMTEC	HMTSW-102-23-F-S-237	1x2 pin header, 2.54mm pitch, Pin-in-Paste THM
Not Fitted	J200	0	MTSW-103-08-L-D-276	SAMTEC	MTSW-103-08-L-D-276	2x3 pin header, 2.54 mm pitch, THM
Not Fitted	J201	0	SSQ-110-21-F-S	SAMTEC	SSQ-110-21-F-S	1x10 receptacle pin header, low insertion force, 2.54mm pitch THM Pin in Paste
Not Fitted	J202, J203	0	SSQ-108-21-F-S	SAMTEC	SSQ-108-21-F-S	1x8 receptacle pin header, low insertion force, 2.54mm pitch THM Pin in Paste
Not Fitted	J204	0	SSQ-106-21-F-S	SAMTEC	SSQ-106-21-F-S	1x6 receptacle pin header, low insertion force, 2.54mm pitch THM
Not Fitted	R101, R200, R204, R208	0	0R	(n/a)	RMCF0402ZT0R00	RES 0.0 OHM 1/16W 0402 SMD
Not Fitted	R111	0	1M	ASJ	CR10-1004-FK	Thick film resistor, SMD 0402, 1/16W, 1%
Not Fitted	R201	0	3.3k	ASJ	CR10-3301-FK	Thick film resistor, SMD 0402, 1/16W, 1%
Not Fitted	R205	0	330R	ASJ	CR10-3300-FK	Thick film resistor, SMD 0402, 1/16W, 1%

Approved _____

Notes _____