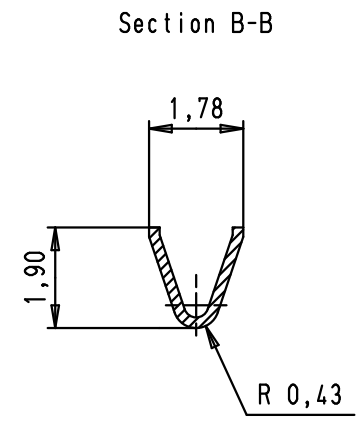
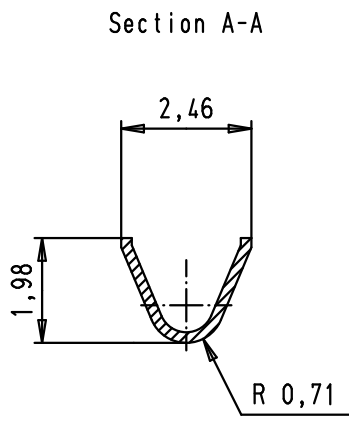
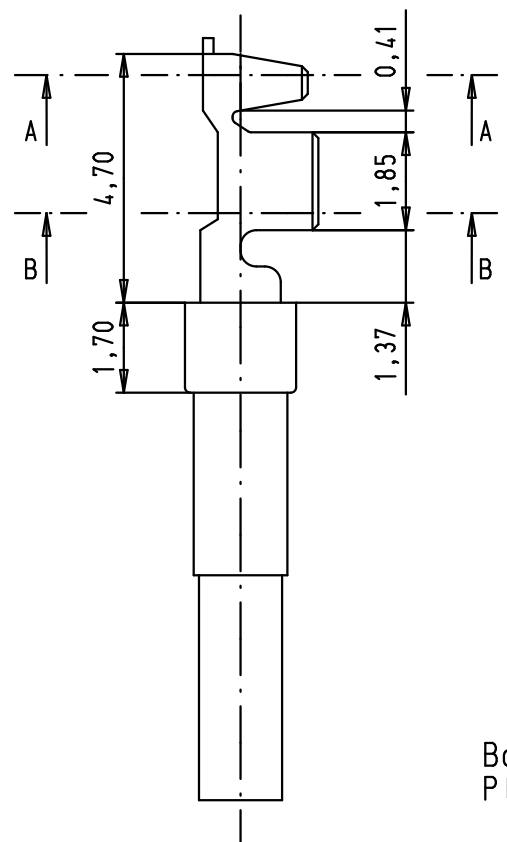
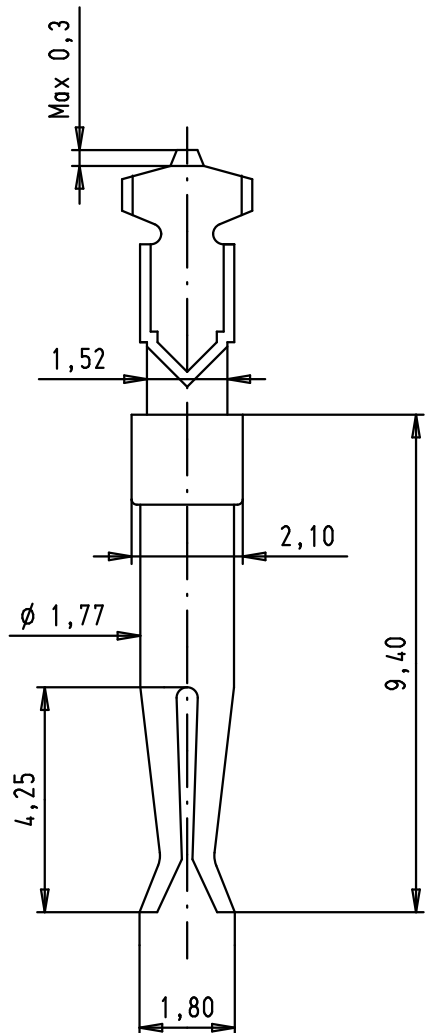




D  
C  
B  
A



Base material: brass  
 Plating: sliding contact selective gold plated over nickel  
 nickel plated crimp area  
 Number of contacts per bag: 500

09 67 000 8278	PL2
09 67 000 8277	PL3
09 67 000 8276	PL1
Part number	Performance level

			Dot.	Name	 All Dim. in mm Orig. Size DIN A 4
			Detail.	24/03/03 PP	
			Insp.		
			Stand.		
33937	05/03/07	PK			
32716	18/02/05	AL			
31476	24/03/03	PP			
Mod.	Dot.	Name	HARTING EURL F-95972 Paris		

D-Sub, stamped female AWG 20-24 crimp contact, bag packaging	Maßstab/ Scale 7:1
TB 09 67 000 827X	Blatt/ Page 1/1
Sub.	