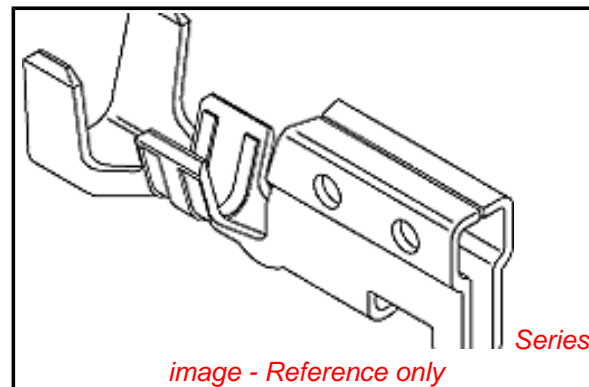


PLEASE CHECK WWW.MOLEX.COM FOR LATEST PART INFORMATION

Part Number: [08-70-1031](#)
Status: **Active**
Overview: SPOX™ BMI Connector System
Description: SPOX™ Crimp Terminal 5194, 18-24 AWG, Brass, Reel

Documents:

Drawing (PDF)	Product Specification PS-5196-004 (PDF)
Product Specification PS-5096-003 (PDF)	Product Specification PS-5196-005 (PDF)
Product Specification PS-5195-001 (PDF)	Product Specification PS-5196-006 (PDF)
Product Specification PS-5195-002 (PDF)	Product Specification PS-5197-001 (PDF)
Product Specification PS-5195-003 (PDF)	Product Specification PS-5197-003 (PDF)
Product Specification PS-5195-004 (PDF)	Product Specification PS-5197-004 (PDF)
Product Specification PS-5195-005 (PDF)	Product Specification PS-5198-001 (PDF)
Product Specification PS-5195-006 (PDF)	Product Specification PS-5199-001 (PDF)
Product Specification PS-5195-007 (PDF)	Product Specification PS-5199-002 (PDF)
Product Specification PS-5195-009 (PDF)	Product Specification PS-5199-003 (PDF)
Product Specification PS-5195-010 (PDF)	Product Specification PS-5273-003 (PDF)
Product Specification PS-5195-011 (PDF)	Product Specification PS-5273-004 (PDF)
Product Specification PS-5196-001 (PDF)	RoHS Certificate of Compliance (PDF)



Agency Certification

CSA LR19980

General

Product Family Crimp Terminals
 Series 5194
 Application Signal
 Crimp Quality Equipment Yes
 Overview [SPOX™ BMI Connector System](#)
 Packaging Alternative 08-70-1030 (Loose)
 Product Name SPOX™
 UPC 800753534896

Physical

Gender Female
 Material - Metal Brass
 Material - Plating Mating Tin
 Material - Plating Termination Tin
 Net Weight 185.000/mg
 Packaging Type Reel
 Plating min - Mating 0.889µm
 Plating min - Termination 0.889µm
 Termination Interface: Style Crimp or Compression
 Wire Insulation Diameter 1.30-3.20mm
 Wire Size AWG 18, 20, 22, 24
 Wire Size mm² N/A

Material Info

Old Part Number 5194T

Reference - Drawing Numbers

Crimp Specification CS-5194, CS-5194(S)
 Product Specification PS-5096-003, PS-5195-001, PS-5195-002, PS-5195-003, PS-5195-004, PS-5195-005, PS-5195-006, PS-5195-007, PS-5195-009, PS-5195-010, PS-5195-011, PS-5196-001, PS-5196-004, PS-5196-005, PS-5196-006,

<p>EU RoHS ELV and RoHS Compliant REACH SVHC Contains SVHC: No Low-Halogen Status Low-Halogen</p>	<p>China RoHS</p>
--	--------------------------

Need more information on product environmental compliance?

Email productcompliance@molex.com
 For a multiple part number RoHS Certificate of Compliance, [click here](#)

Please visit the [Contact Us](#) section for any non-product compliance questions.

Search Parts in this Series

5194Series

Use With

5195 , 5196 , 5197 , 5198 , 5199

Application Tooling | FAQ

Tooling specifications and manuals are found by selecting the products below. Crimp Height Specifications are then contained in the Application Tooling Specification document.

Global

Description	Product #
Hand Crimp Tool for Crimp Terminals	0638116500
FineAdjust™ Applicator for 3.96mm Pitch Crimp Terminal, 18-24 AWG Wire	0639005300
T2 Terminator Tooling Die for Crimp Terminal, 18-24 AWG Wire	0639105300

Sales Drawing

PS-5197-001, PS-5197-003, PS-5197-004,
PS-5198-001, PS-5199-001, PS-5199-002,
PS-5199-003, PS-5273-003, PS-5273-004,
RPS-5096-001, RPS-5195-001, RPS-5196-002,
RPS-5196-003, RPS-5196-004, RPS-5197-001,
RPS-5198-003, RPS-5199-001, RPS-5281-001,
RPS-5289-002
SD-5194-001

Extraction Tool 0638132700

Japan

Description **Product #**

Applicator for M211A 0011260028

Bench Press, 18-28

AWG Wire

Hand Extraction Tool 0011260100

This document was generated on 07/03/2014

PLEASE CHECK WWW.MOLEX.COM FOR LATEST PART INFORMATION