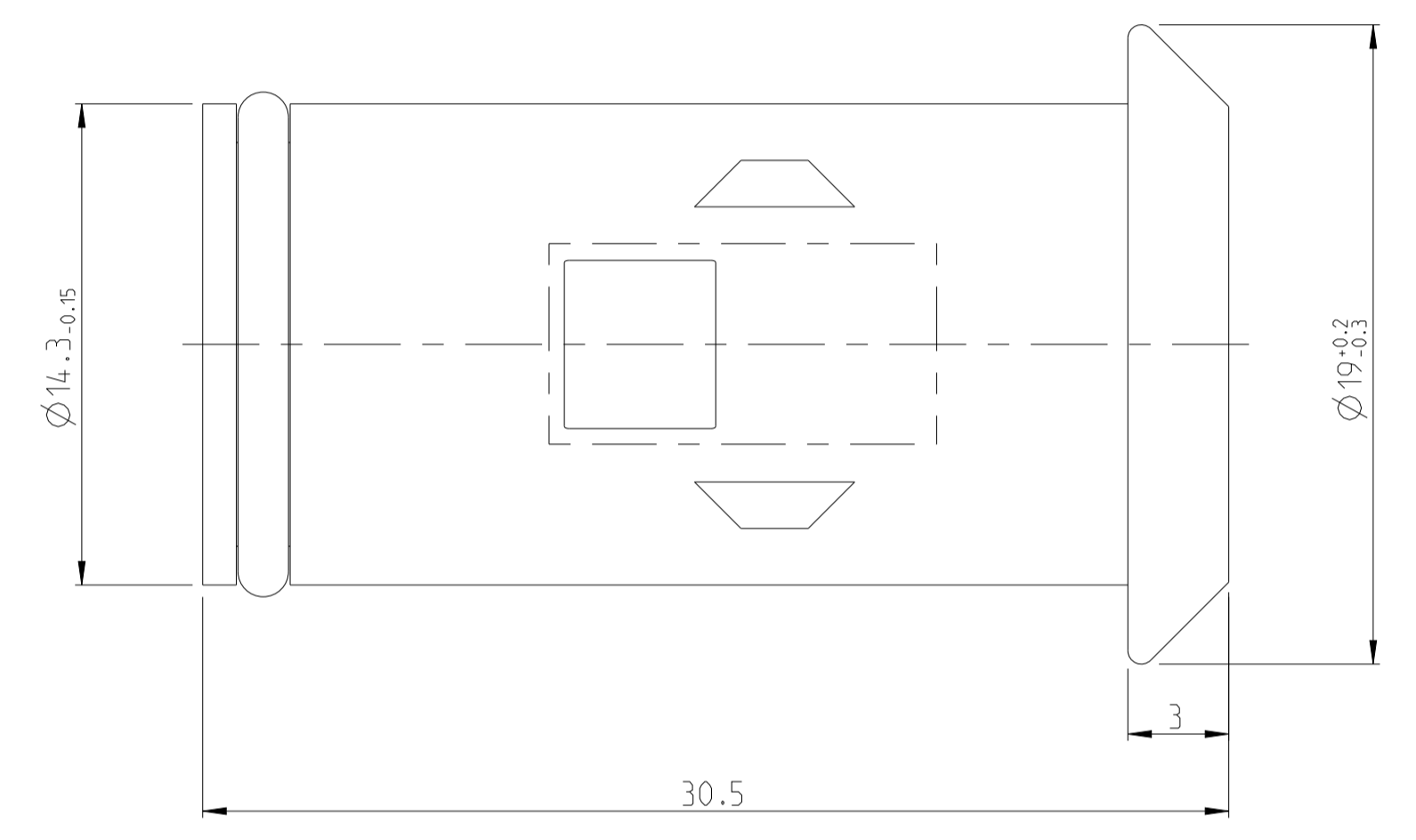
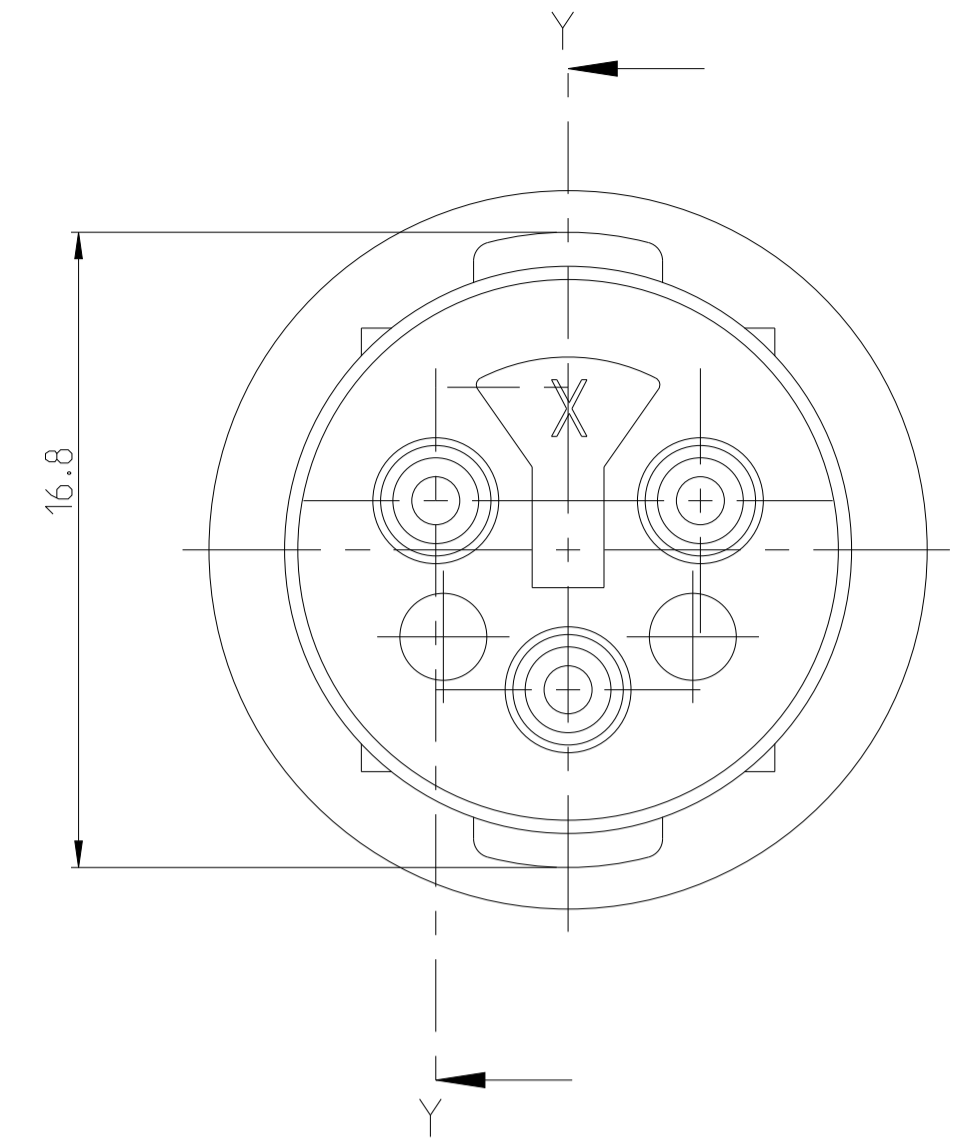
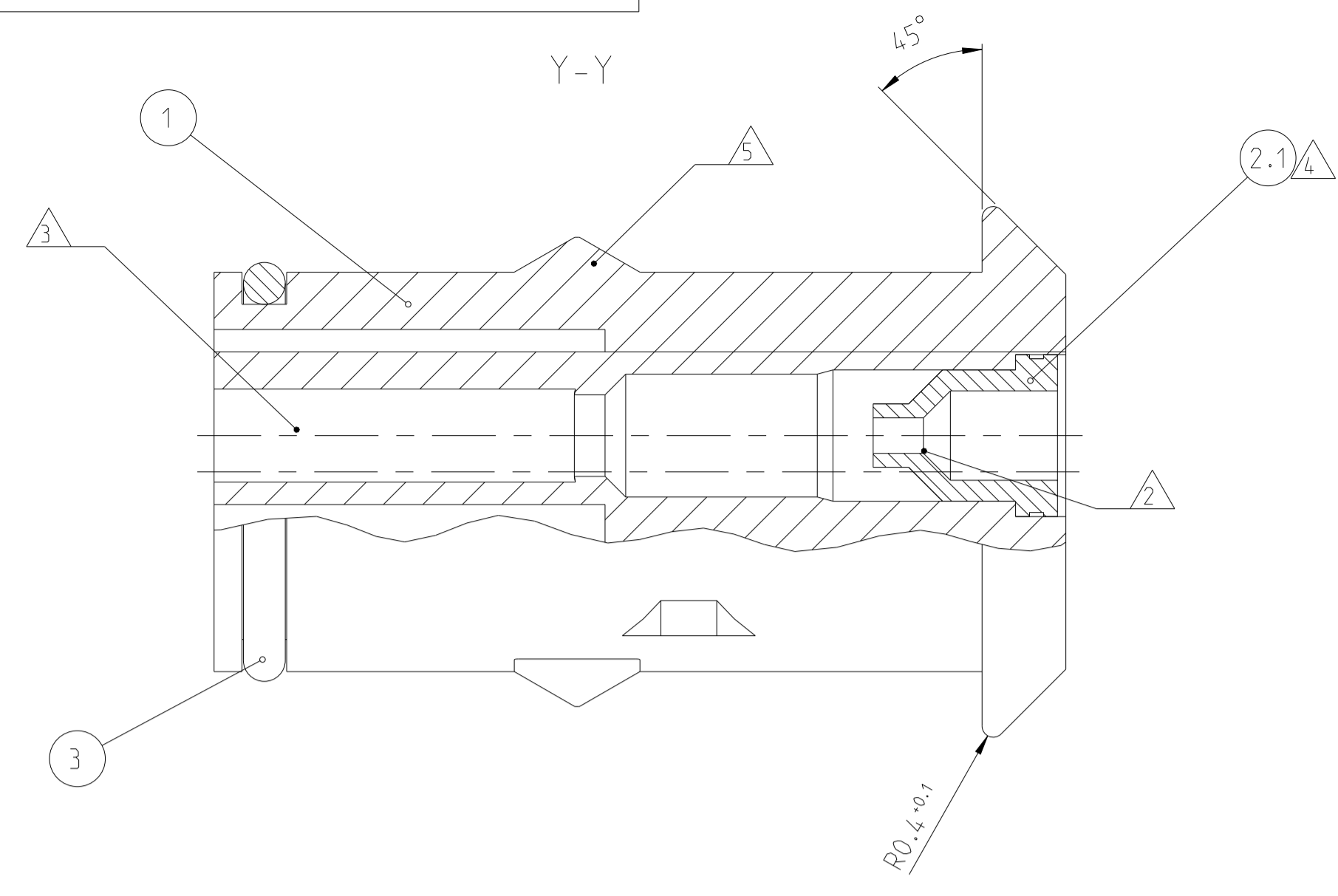


| LOC | | DIST | | REVISIONS | | | |
|-----|---------------|-------------|-----------|-----------|------|--|--|
| P | LTN | DESCRIPTION | DATE | OWN | APVD | | |
| H2 | ECR-12-013691 | | 02AUG2012 | GB | SzG | | |
| H3 | ECR-15-002210 | | 05MAR2015 | GB | SzG | | |
| H4 | ECR-16-009474 | | 21JUL2016 | LSZ | GB | | |
| H5 | ECR-20-010381 | | 10DEC2021 | KMD | MN | | |

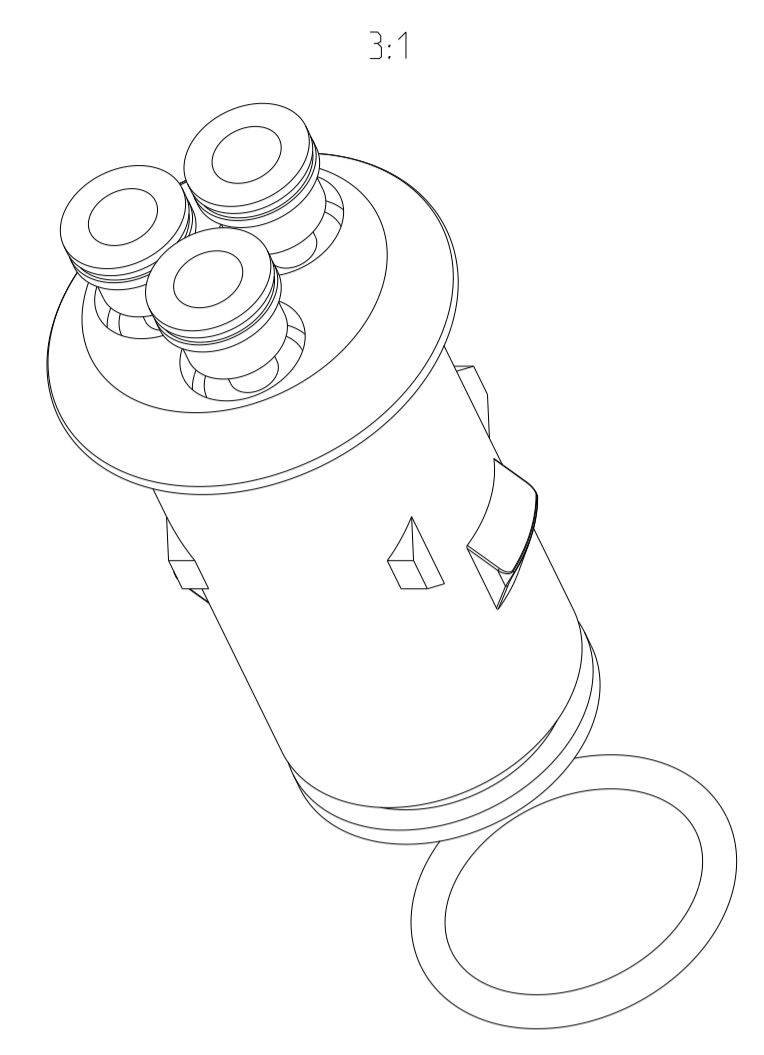
-4 wie gezeichnet
AS SHOWN



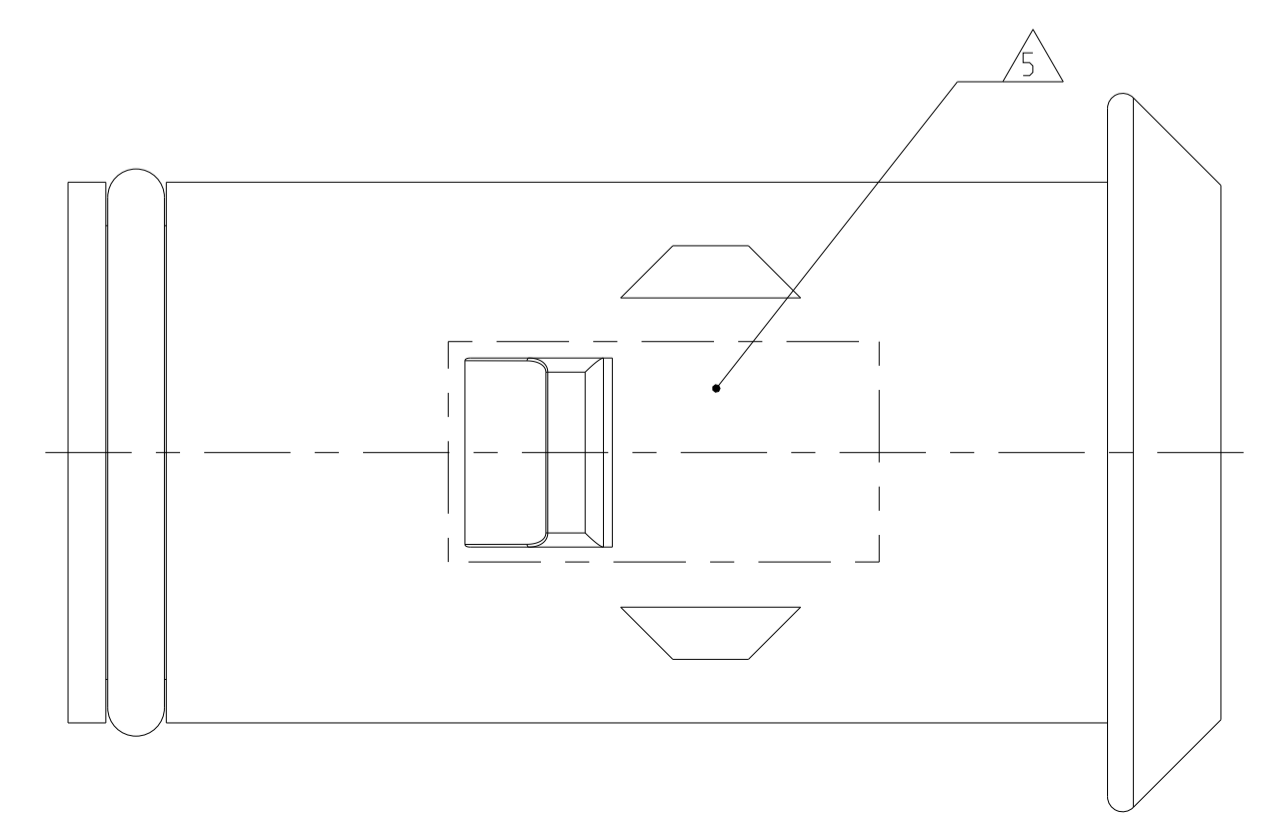
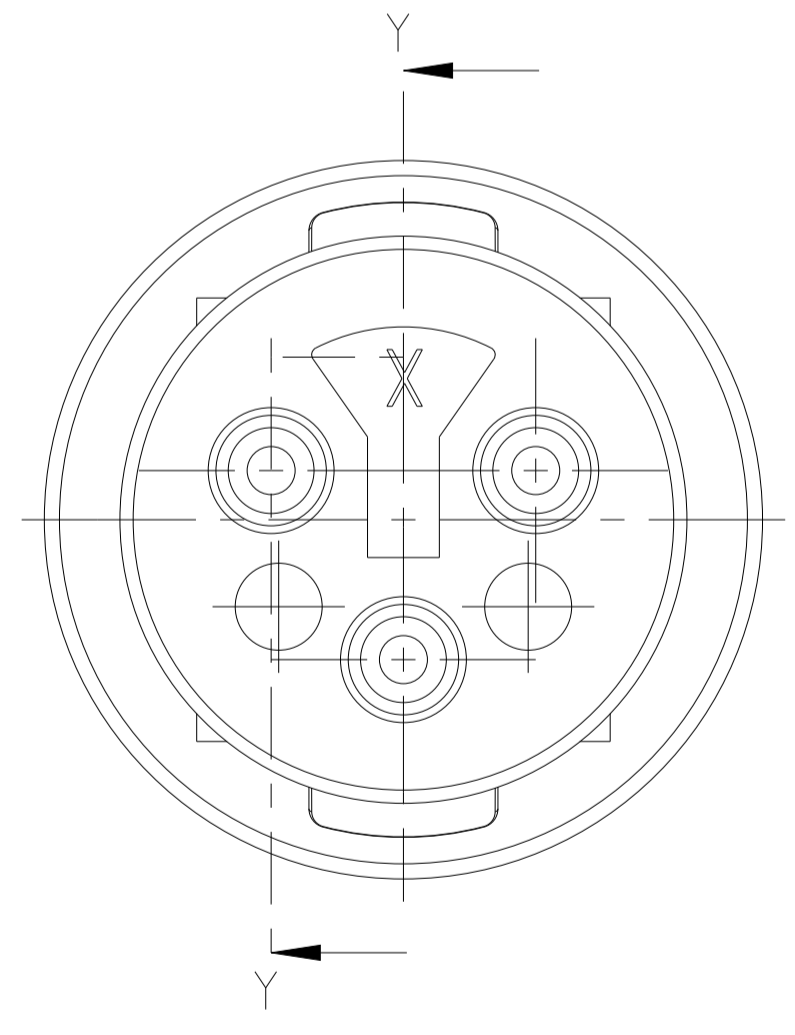
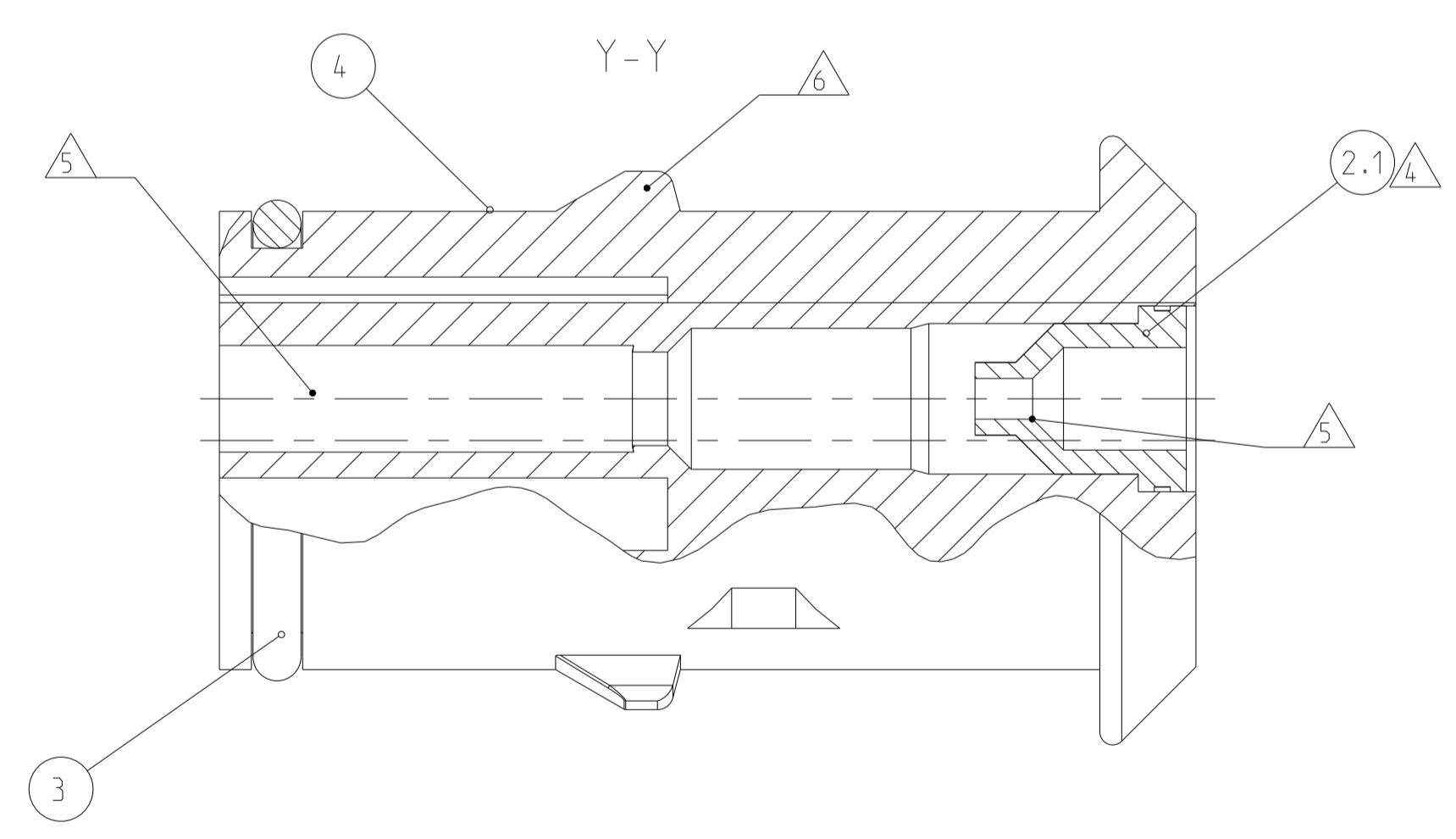
H2 H3

Bemerkungen / Notes:

- Teile in Lupolenbeutel luftdicht verpackt (500/1000 Sctk.)
Parts must be airtight packaged in bags of lupolen (500/1000 pieces)
- Geschmiert mit Gleitmittel Hellerine (Fa. Hellermannlyton) direkt vor dem Einsetzen des Kontaktes
Lubricated with Hellerine 625 (Hellermannlyton) right before contact insertion
- Kammer für Buschsenkontakt CIC, C1-2 od. Type III
Cavity for socket contact CIC, C1-2 or Type III
- Dichtungstülle für Litzenleitung mit Isolationsdurchmesser von 2.3-3.0mm
Seal for wire with isolationdiameter 2.3 - 3.0 mm
- Dichtungstülle für Litzenleitung mit Isolationsdurchmesser von 1.3-2.3 mm
Seal for wire with isolationdiameter 1.3 - 2.3 mm
- Keying Form with the Mating Connector: Click Stop
- Keying Form with the Mating Connector: Locking



1-...-2 wie gezeichnet
AS SHOWN



| ASSY NO | REV. | DESCRIPTION | MATERIAL | COLOUR | QTY. | ITEM NO |
|------------|------------|-----------------------|--------------|---------|------|---------|
| OBSOLETE | 2-826886-2 | SEAL | NEOPRENE | GREY | 3 | 2.1 |
| | | O-RING | NEOPRENE | BLACK | 1 | 3 |
| | | 3 POS. SOCKET HOUSING | PA 6.6 GFV13 | GREEN | 1 | 4 |
| OBSOLETE | 2-826886-1 | SEAL | NEOPRENE | BLACK | 3 | 2.2 |
| | | O-RING | NEOPRENE | BLACK | 1 | 3 |
| | | 3 POS. SOCKET HOUSING | PA 6.6 GFV13 | NATURAL | 1 | 4 |
| 1-826886-9 | H | SEAL | NEOPRENE | GREY | 3 | 2.1 |
| | | O-RING | NEOPRENE | BLACK | 1 | 3 |
| | | 3 POS. SOCKET HOUSING | PA 6.6 GFV13 | NATURAL | 1 | 4 |
| 1-826886-8 | H | SEAL | NEOPRENE | BLACK | 3 | 2.2 |
| | | O-RING | NEOPRENE | BLACK | 1 | 3 |
| | | 3 POS. SOCKET HOUSING | PA 6.6 GFV13 | BLACK | 1 | 4 |
| 1-826886-7 | H | SEAL | NEOPRENE | BLACK | 3 | 2.2 |
| | | O-RING | NEOPRENE | BLACK | 1 | 3 |
| | | 3 POS. SOCKET HOUSING | PA 6.6 GFV13 | YELLOW | 1 | 4 |
| 1-826886-4 | H | SEAL | NEOPRENE | GREY | 3 | 2.1 |
| | | O-RING | NEOPRENE | BLACK | 1 | 3 |
| | | 3 POS. SOCKET HOUSING | PA 6.6 GFV13 | YELLOW | 1 | 4 |
| 1-826886-3 | H | SEAL | NEOPRENE | GREY | 3 | 2.1 |
| | | O-RING | NEOPRENE | BLACK | 1 | 3 |
| | | 3 POS. SOCKET HOUSING | PA 6.6 GFV13 | RED | 1 | 4 |
| 1-826886-2 | H | SEAL | NEOPRENE | GREY | 3 | 2.1 |
| | | O-RING | NEOPRENE | BLACK | 1 | 3 |
| | | 3 POS. SOCKET HOUSING | PA 6.6 GFV13 | BLACK | 1 | 4 |
| 1-826886-1 | H | - | - | - | - | - |
| | | O-RING | NEOPRENE | BLACK | 1 | 3 |
| | | 3 POS. SOCKET HOUSING | PA 6.6 GFV13 | BLACK | 1 | 4 |
| 826886-7 | H | SEAL | NEOPRENE | BLACK | 3 | 2.2 |
| | | O-RING | NEOPRENE | BLACK | 1 | 3 |
| | | 3 POS. SOCKET HOUSING | PA 6.6 GFV13 | BLACK | 1 | 1 |
| 826886-6 | H | SEAL | NEOPRENE | GREY | 3 | 2.1 |
| | | O-RING | NEOPRENE | BLACK | 1 | 3 |
| | | 3 POS. SOCKET HOUSING | PA 6.6 GFV13 | YELLOW | 1 | 1 |
| 826886-5 | H | SEAL | NEOPRENE | GREY | 3 | 2.1 |
| | | O-RING | NEOPRENE | BLACK | 1 | 3 |
| | | 3 POS. SOCKET HOUSING | PA 6.6 GFV13 | RED | 1 | 1 |
| 826886-4 | H | SEAL | NEOPRENE | GREY | 3 | 2.1 |
| | | O-RING | NEOPRENE | BLACK | 1 | 3 |
| | | 3 POS. SOCKET HOUSING | PA 6.6 GFV13 | BLACK | 1 | 1 |
| OBSOLETE | 826886-1 | - | - | - | - | - |
| | | O-RING | NEOPRENE | BLACK | 1 | 3 |
| | | 3 POS. SOCKET HOUSING | PA 6.6 GFV13 | BLACK | 1 | 1 |

ACHTUNG !
Eine einwandfreie Funktion dieser Stecker kann nur bei Verwendung von Original-TEC-Teilen und genauer Einhaltung der Verarbeitungs- vor - schriften garantiert werden.
CAUTION !

A faultless operation of this connectors can be guaranteed only if original TEC parts are used and exact observance of processing specifications.

THIS DRAWING IS A CONTROLLED DOCUMENT. DWG: 210CT1982, CHK: ADAMSKI, 25OCT1982, WENDLING

TE Connectivity

NAME: 3POS. ECONOSEAL SOCKET-HOUSING ASS'Y

SIZE: A1, CAGE CODE: 00779, DRAWING NO: 826886

SCALE: 5:1, SHEET: 1 OF 1, REV: H5

Mouser Electronics

Authorized Distributor

Click to View Pricing, Inventory, Delivery & Lifecycle Information:

[TE Connectivity:](#)

[826886-4](#)