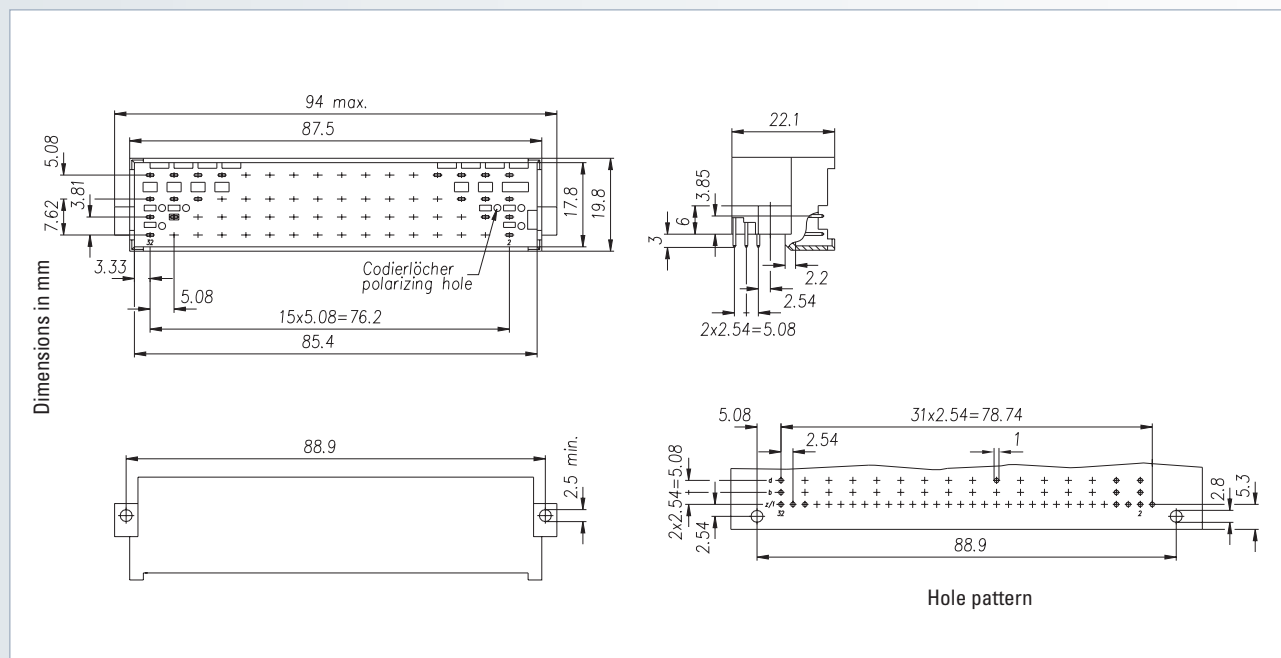


Connectors according to DIN 41612 / IEC 60603-2

Type G

Male connector



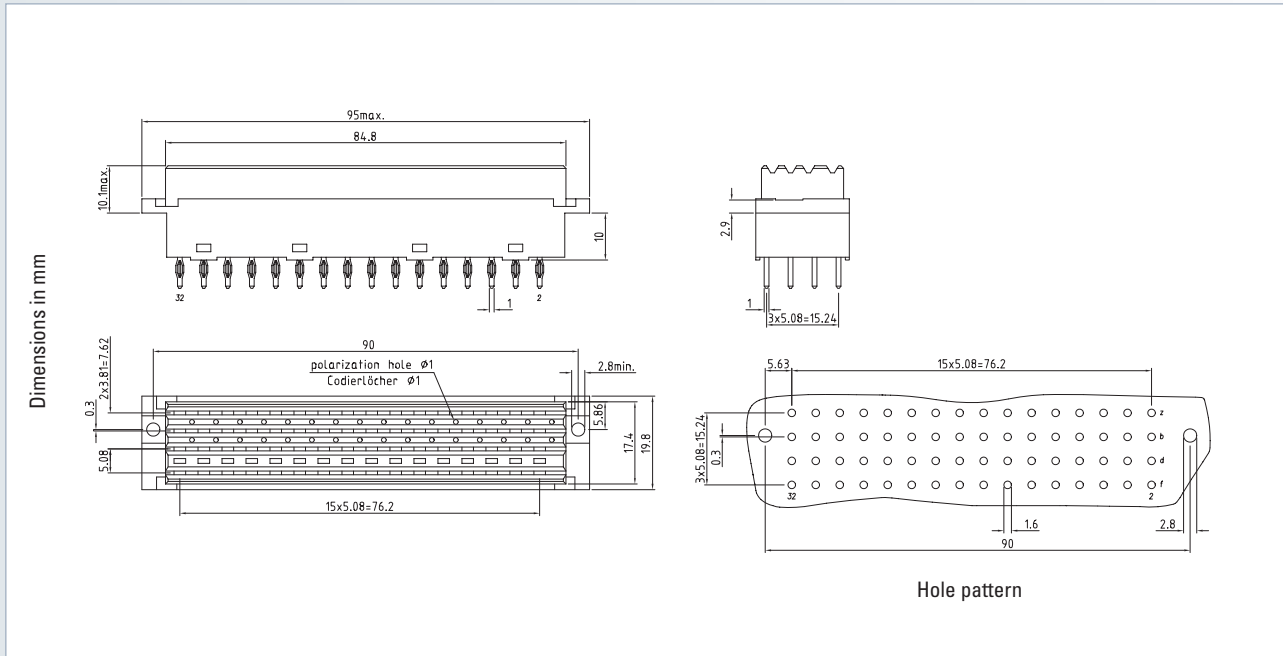
No. of contacts	Pre-mating contact at position	Contact arrangement	Solder technology – Performance level II	
			Termination length	
			Part number	
64	Without		111-40064	
64	Z 2		111-40164	
64	Z 2 and Z 32		111-40264	



Accessories – Coding accessories (see page 160)	On request – Performance level I + III or customer-specific – Also in THTR	Options – Board lock (see page 159) – Special contact arrangement (see page 162)
---	---	---

Type G

Female connector

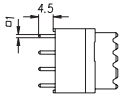
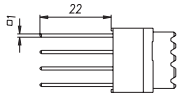
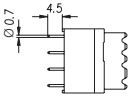
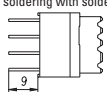
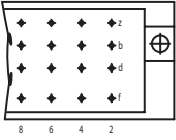


Hole pattern

No. of contacts	Contact arrangement	Press-fit technology – Performance level II	
		Termination length	
		Part number	
64		112-60064	112-60065

<p>Accessories</p> <ul style="list-style-type: none"> – Press-fit tool (see page 208) – Support tool (see page 209) – Coding accessories (see page 160) 	<p>On request</p> <ul style="list-style-type: none"> – Performance level I + III or customer-specific – Special contact length 	<p>Options</p> <ul style="list-style-type: none"> – Without flange – Special contact arrangement (see page 162)
---	---	--



No. of contacts	Contact arrangement	Solder technology – Performance level II			
		Termination length			
					Manual soldering with soldering lug 
Part number					
64		112-40064	112-40065	112-40084	112-40095

Accessories

– Coding accessories (see page 160)

On request

– Performance level I + III or customer-specific
 – Special contact length
 – Also in THTR

Options

– Board lock (see page 159)
 – Special contact arrangement (see page 162)