

valve suppressor form A - 18mm with LED, 24VAC/DC/50VA/W

24 V AC/DC
LED

Image



Vicarious picture

Technical Data

LED display	(yellow opac)
Contact material	Silvered bronze
Protection	
Material	Polyamide black, flame retardant, temperature resistance up to 130 °C
Temperature range	-20...+60 °C
Max. power (W)	max. 50 W(VA)

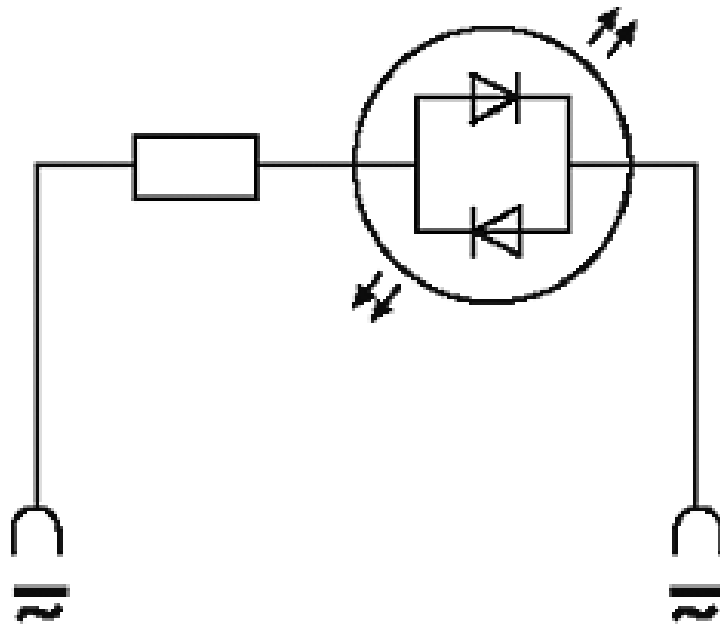
Commercial data

Net weight	13
Weight unit	Gram
Basic unit	pc.
Customs tariff number	85363010
Unit (piece)	1
Minimum order quantity (piece)	1

Comments

Remove plug gasket when fitting adapter. Other LED colors on request.

Circuit diagram



LED

Dimension drawing

