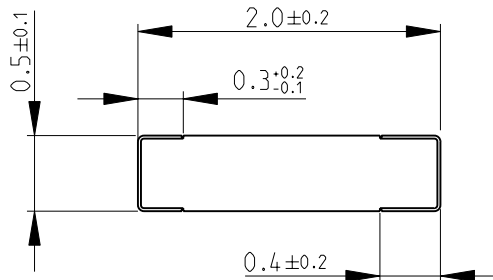
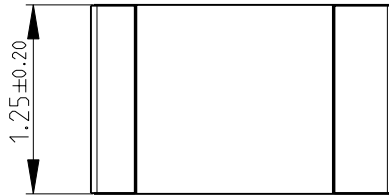
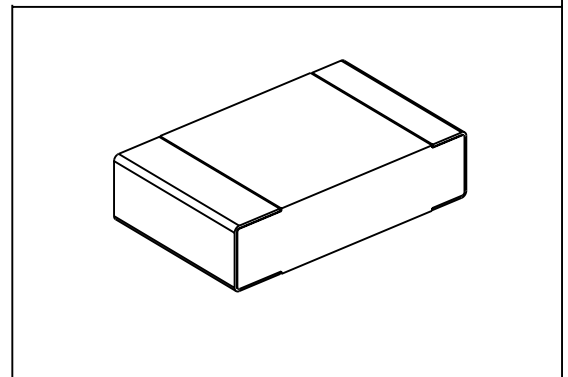


| LOC | DIST | REVISIONS | | | | |
|-----|------|-------------|-------------|-----------|------|------|
| P | LTR | DESCRIPTION | DATE | DWN | APVD | |
| E | B | BA | NEW RELEASE | 23APR2010 | PT | St.P |

FOR FURTHER INFORMATION SEE DATA SHEET FOR
RP73 SERIES-SMD HIGH POWER PRECISION RESISTORS



RoHS Compliant



2008

RELEASED FOR PUBLICATION

THIS DRAWING IS UNPUBLISHED.

© COPYRIGHT 2008 BY TYCO ELECTRONICS CORPORATION. ALL RIGHTS RESERVED.

| | | | | | | |
|----------------------------------------|--------------------|-----------|----------------------------------------------------------------|-----------|-------------|---------------|
| DIMENSIONS: mm | DWN PARUSURAM.T | 23APR2010 | MATERIAL | - | FINISH | - |
| | CHK SUBHASH.M | 23APR2010 | Tyco Electronics Corporation Dorcan, Swindon, SN3 5HH | | | |
| TOLERANCES UNLESS OTHERWISE SPECIFIED: | APVD STEPHEN.P | 23APR2010 | | | | |
| 0 PLC ±0.2 | PRODUCT SPEC | - | NAME SMD HIGH POWER PRECISION RESISTORS SERIES RP73 - 2A | | | |
| 1 PLC ±0.1 | APPLICATION SPEC | - | SIZE | CAGE CODE | DRAWING NO | RESTRICTED TO |
| 2 PLC ±- | | | A 4 | 00779 | © = 1625868 | - |
| 3 PLC ±- | | | CUSTOMER DRAWING | | | |
| 4 PLC ±- | WEIGHT | - | SCALE | 20:1 | SHEET | 1 OF 1 |
| ANGLES ±5° | | | | | REV | BA |

Mouser Electronics

Authorized Distributor

Click to View Pricing, Inventory, Delivery & Lifecycle Information:

[TE Connectivity:](#)

[8-1625868-7](#)