

TEWA TEMPERATURE SENSORS

HIGH PRECISION NTC THERMISTORS AND TEMPERATURE SENSORS

Specification of Temperature Probe

PART NUMBER: **TT4-G10KC3-T180-OM52-500**

No. of pages: 1

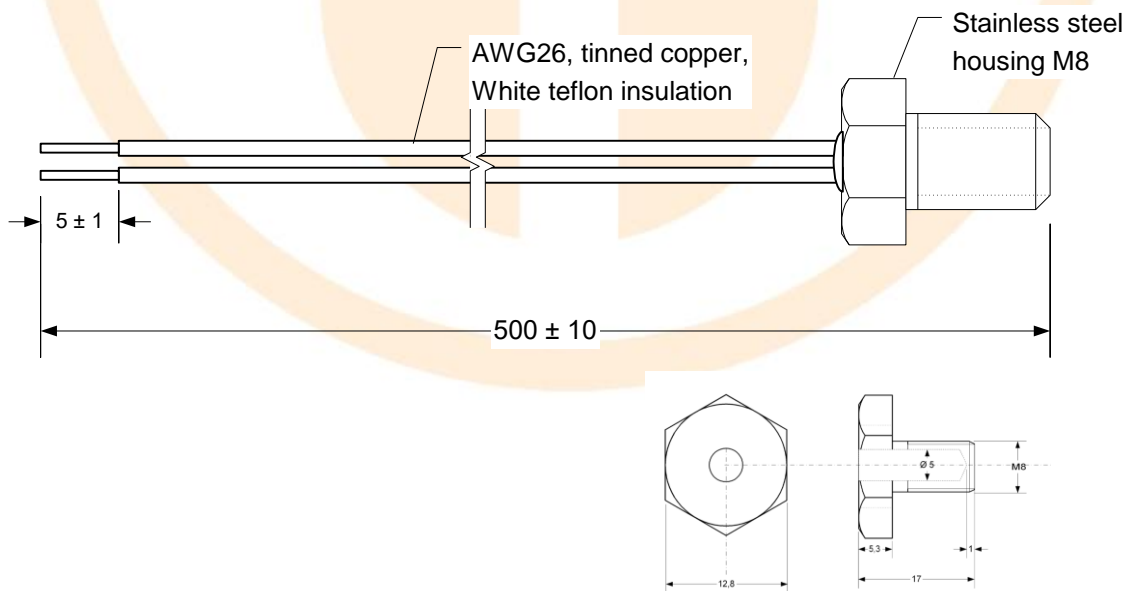
Date: 19.09.2019

Revision: 00

FEATURES:

Sensing Element	Glass Thermistor NTC
No-load resistance at 25°C	10 000 Ω
Tolerances at 25°C	± 1%
Beta(25/85) Constant	3 977K ±1%
Operating temperature range	-40°C ÷ 180°C
Test Voltage	500V DC
RoHS Compatible	YES

DRAWING:



UNITS: [mm]