

Directional valves → Supplementary products

4/2-way valve, Series 840

► Qn = 200 l/min ► pipe connection ► compressed air connection output: Ø6x1 ► Electr. connection: Plug, EN 175301-803, form C ► Manual override: with detent ► double solenoid



00138520

Version	Diaphragm poppet valve
Pilot	internal
Sealing principle	soft sealing
Mounting on manifold strip	PRS strip
Working pressure min./max.	1.8 bar / 10 bar *
Control pressure min./max.	1.8 bar / 10 bar
Ambient temperature min./max.	-15 °C / +50 °C *
Medium temperature min./max.	-15 °C / +50 °C *
Medium	Compressed air
Max. particle size	50 µm
Oil content of compressed air	0 mg/m ³ - 1 mg/m ³
Connector standard	EN 175301-803, form C
Degree of protection with electrical connector/plug	IP 65
Duty cycle	100 %
Switch-on time	12 ms
Switch-off time	12 ms
Materials:	
Housing	Polyoxymethylene
Seals	Acrylonitrile Butadiene Rubber

* The maximum working pressure depends on the ambient temperature. The following values are applicable:

-15 °C - 50 °C: Working pressure 1.8 - 8 bar possible.

-15 °C - 40 °C: Working pressure 1.8 - 10 bar possible.

Technical Remarks

- The pressure dew point must be at least 15 °C under ambient and medium temperature and may not exceed 3 °C.
- The oil content of air pressure must remain constant during the life cycle.
- Use only the approved oils from Bosch Rexroth, see chapter „Technical information“.
- Versions with voltage of less than 50 V DC do not have a protective ground

Operating voltage			Voltage tolerance		Power consumption	Switch-on power		Holding power	
DC	AC 50 Hz	AC 60 Hz	DC	AC 60 Hz	DC	AC 50 Hz	AC 60 Hz	AC 50 Hz	AC 60 Hz
					W	VA	VA	VA	VA
12 V	-	-	-10% / +10%	-	1.6	-	-	-	-
24 V	-	-	-10% / +10%	-	1.6	-	-	-	-
-	24 V	24 V	-	-10% / +15%	-	3	2.6	2.1	1.9
-	110 V	110 V	-	-10% / +15%	-	3.1	2.6	2.2	1.9
-	230 V	230 V	-	-10% / +15%	-	3.2	2.8	2.3	2
-	230 V	230 V	-	-10% / +15%	-	3.5	3	2.5	2.2

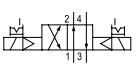
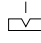
Supplementary products

Part numbers marked in bold are available from the central warehouse in Germany, see the shopping basket for more detailed information
Pneumatics catalog, online PDF, as of 2012-07-05, © Bosch Rexroth AG, subject to change

Directional valves → Supplementary products

4/2-way valve, Series 840

► Qn = 200 l/min ► pipe connection ► compressed air connection output: Ø6x1 ► Electr. connection: Plug, EN 175301-803, form C ► Manual override: with detent ► double solenoid

	MO	Compressed air connection				Operating voltage			Holding power	Holding power	Switch-on power	Part No.	
		Input	Output	Exhaust	Pilot control exhaust	DC	AC 50 Hz	AC 60 Hz					
		Ø6x1	Ø6x1	Ø6x1	Ø 4,5	12 V	-	-	-	-	-	5728410410	
						24 V	-	-	-	-	-	-	5728410420
						24 V	-	-	-	-	-	-	5728410620
						-	24 V	24 V	2.1	1.9	3	5728415420	
						-	110 V	110 V	2.2	1.9	3.1	5728415470	
						-	230 V	230 V	2.3	2	3.2	5728415480	
-	230 V	230 V	2.5	2.2	3.5	5728415680							

Part No.	Switch-on power	Flow rate value	Weight	Note
	AC 60 Hz	Qn		
		[l/min]	[kg]	
5728410410	-	200	0.156	-
5728410420	-		0.157	-
5728410620	-		0.158	1)
5728415420	2.6		0.153	-
5728415470	2.6		0.157	-
5728415480	2.8		0.156	-
5728415680	3	0.16	1)	

MO = Manual override

1) LED status display: Red

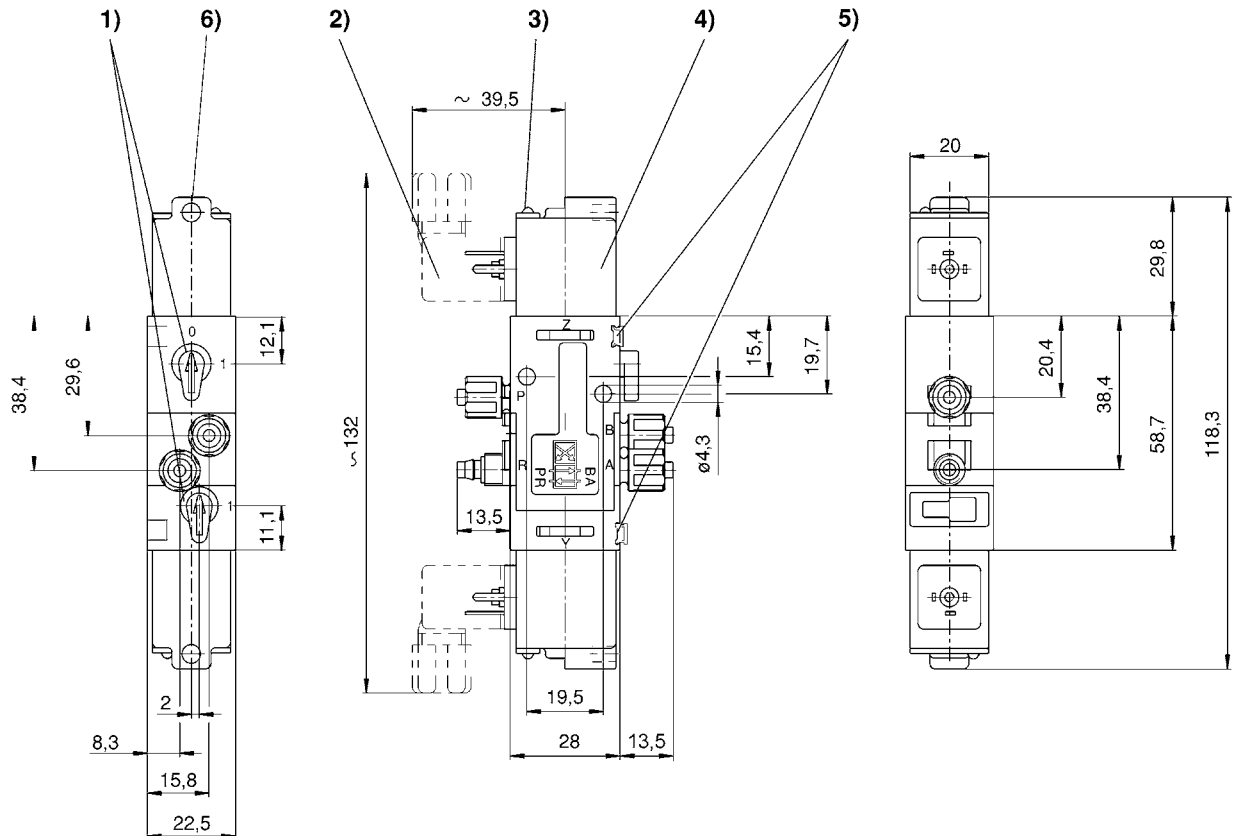
Nominal flow Qn at 6 bar and Δp = 1 bar

Directional valves → Supplementary products

4/2-way valve, Series 840

► $Q_n = 200 \text{ l/min}$ ► pipe connection ► compressed air connection output: $\text{Ø}6 \times 1$ ► Electr. connection: Plug, EN 175301-803, form C ► Manual override: with detent ► double solenoid

Dimensions



- 1) manual override 2) el. connector 3) LED display 4) coil can be rotated at 180° intervals
5) mounting space for name plate 6) hold for M5 fitting or silencer $\text{Ø} 4.5 \text{ mm}$

D572_941

Supplementary products

Part numbers marked in bold are available from the central warehouse in Germany, see the shopping basket for more detailed information Pneumatics catalog, online PDF, as of 2012-07-05, © Bosch Rexroth AG, subject to change