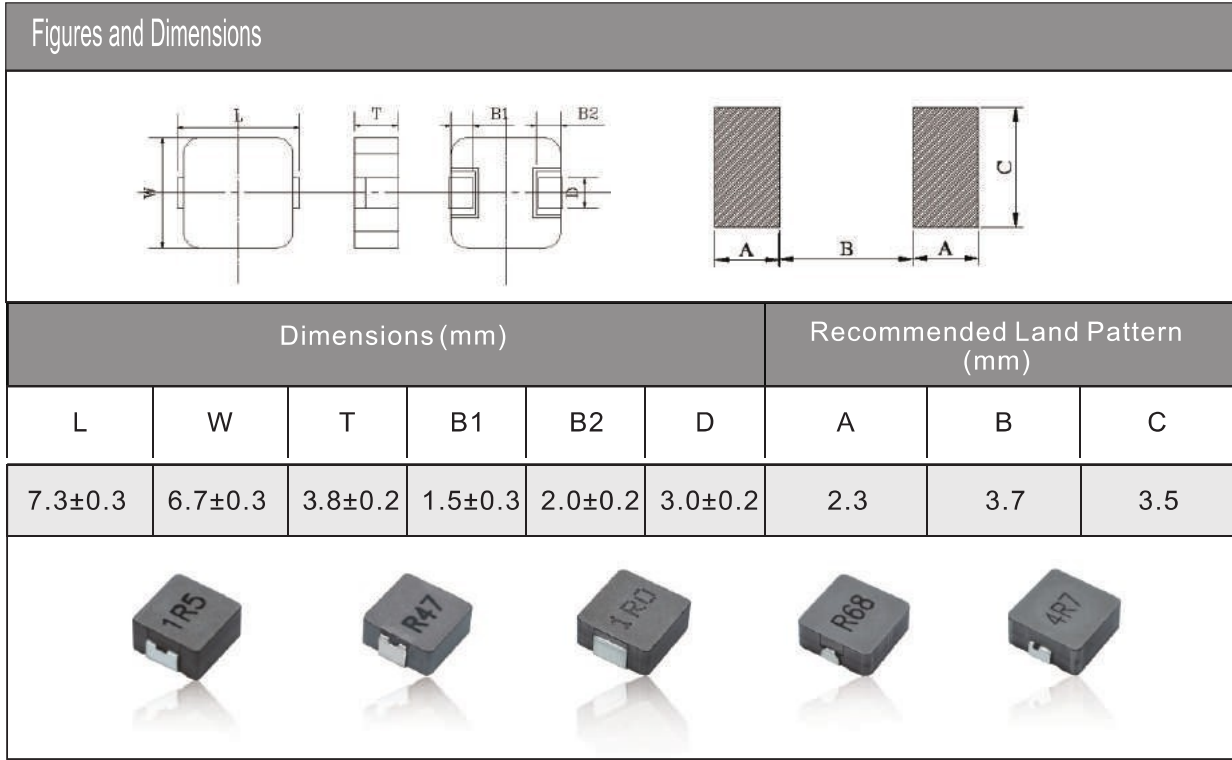


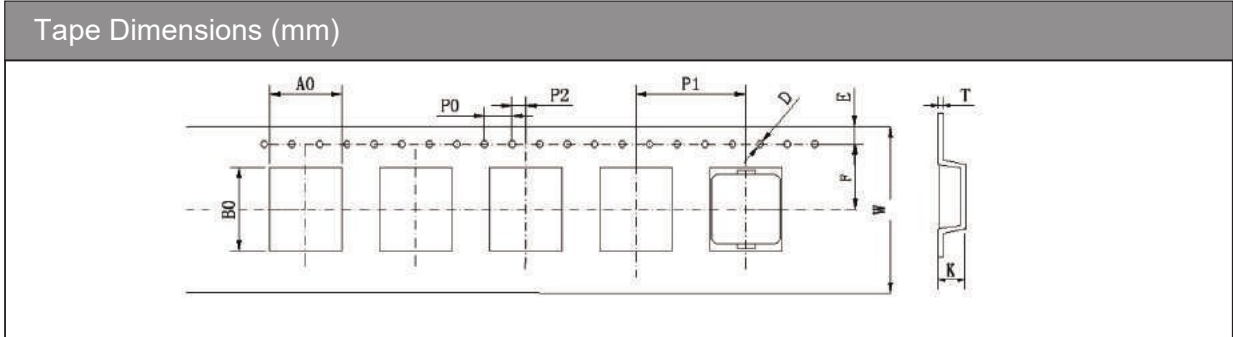
## HIGH POWER INDUCTOR



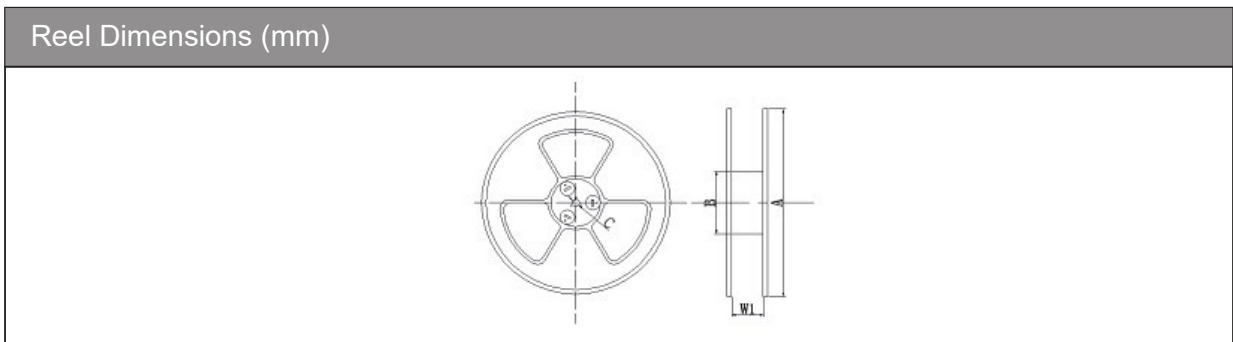
### Electrical Characteristics

| Part number | Inductance (μH)@0A | Tolerance | Resistance (mΩ) ±7% | Saturation current Typ.(A) | Heat rating current Typ.(A) |
|-------------|--------------------|-----------|---------------------|----------------------------|-----------------------------|
| HPI0640-1R5 | 1.50               | ±20%      | 7.7                 | 11.0                       | 10.0                        |
| HPI0640-2R2 | 2.20               | ±20%      | 11.5                | 9.5                        | 8.5                         |
| HPI0640-3R3 | 3.30               | ±20%      | 19.0                | 9.0                        | 8.0                         |
| HPI0640-4R7 | 4.70               | ±20%      | 32.0                | 7.0                        | 6.0                         |
| HPI0640-100 | 10.0               | ±20%      | 62.0                | 4.0                        | 4.0                         |
| HPI0640-150 | 15.0               | ±20%      | 92.0                | 3.5                        | 3.1                         |

## Package



|           | A0   | B0   | W    | F    | E    | P1   | P2   | P0   | D     | T     | K     |
|-----------|------|------|------|------|------|------|------|------|-------|-------|-------|
| 06 Series | ±0.1 | ±0.1 | ±0.3 | ±0.1 | ±0.1 | ±0.1 | ±0.1 | ±0.1 | ±0.05 | ±0.05 | ±0.1  |
|           | 7.0  | 7.8  | 16   | 7.5  | 1.75 | 12   | 2.0  | 4.0  | 1.5   | 0.4   | H+0.2 |



|           | A   | B   | C    | W1   | Quality(pcs/Reel) |
|-----------|-----|-----|------|------|-------------------|
| 06 Series | 330 | 100 | 13.0 | 16.0 | 1000              |