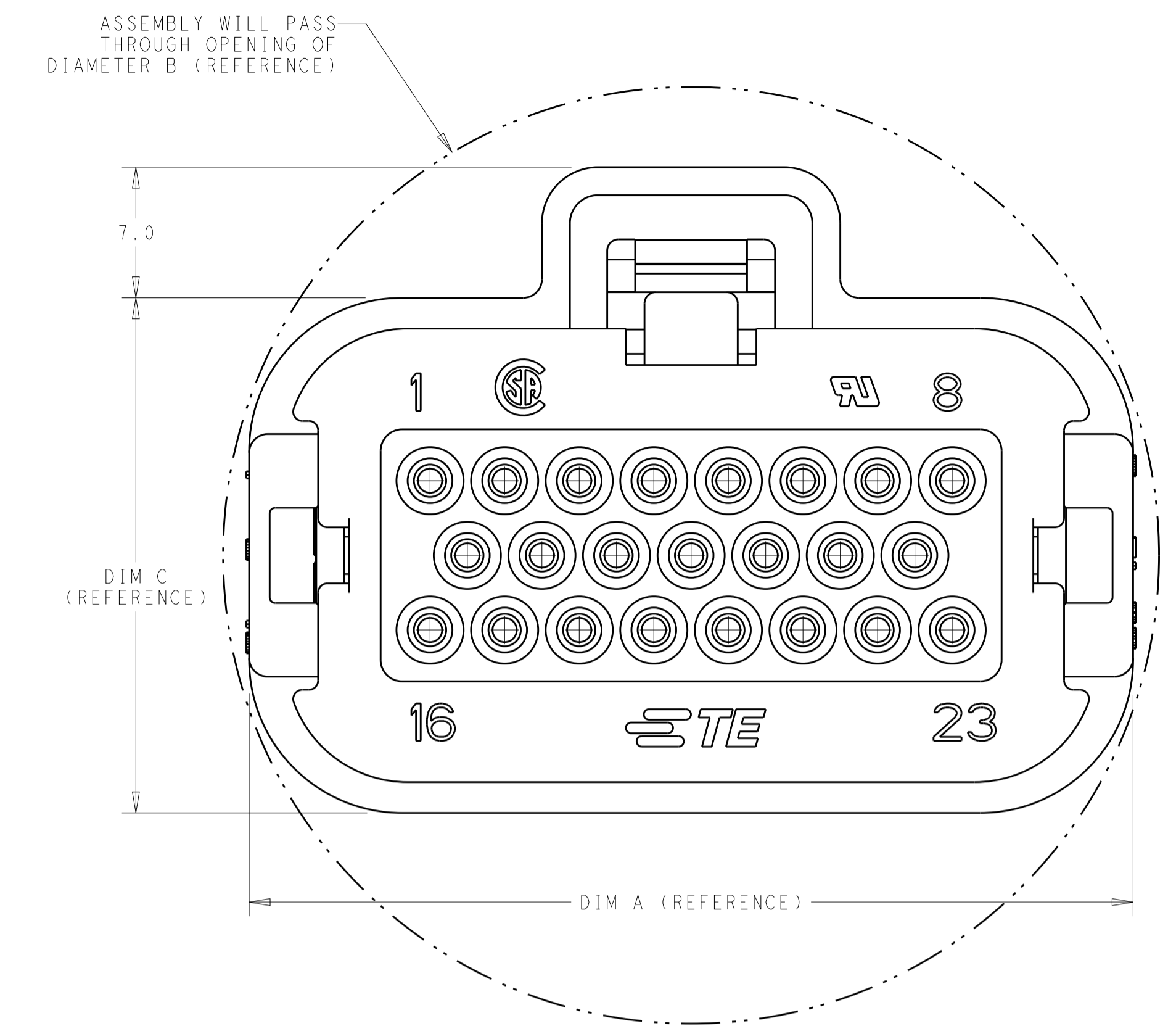
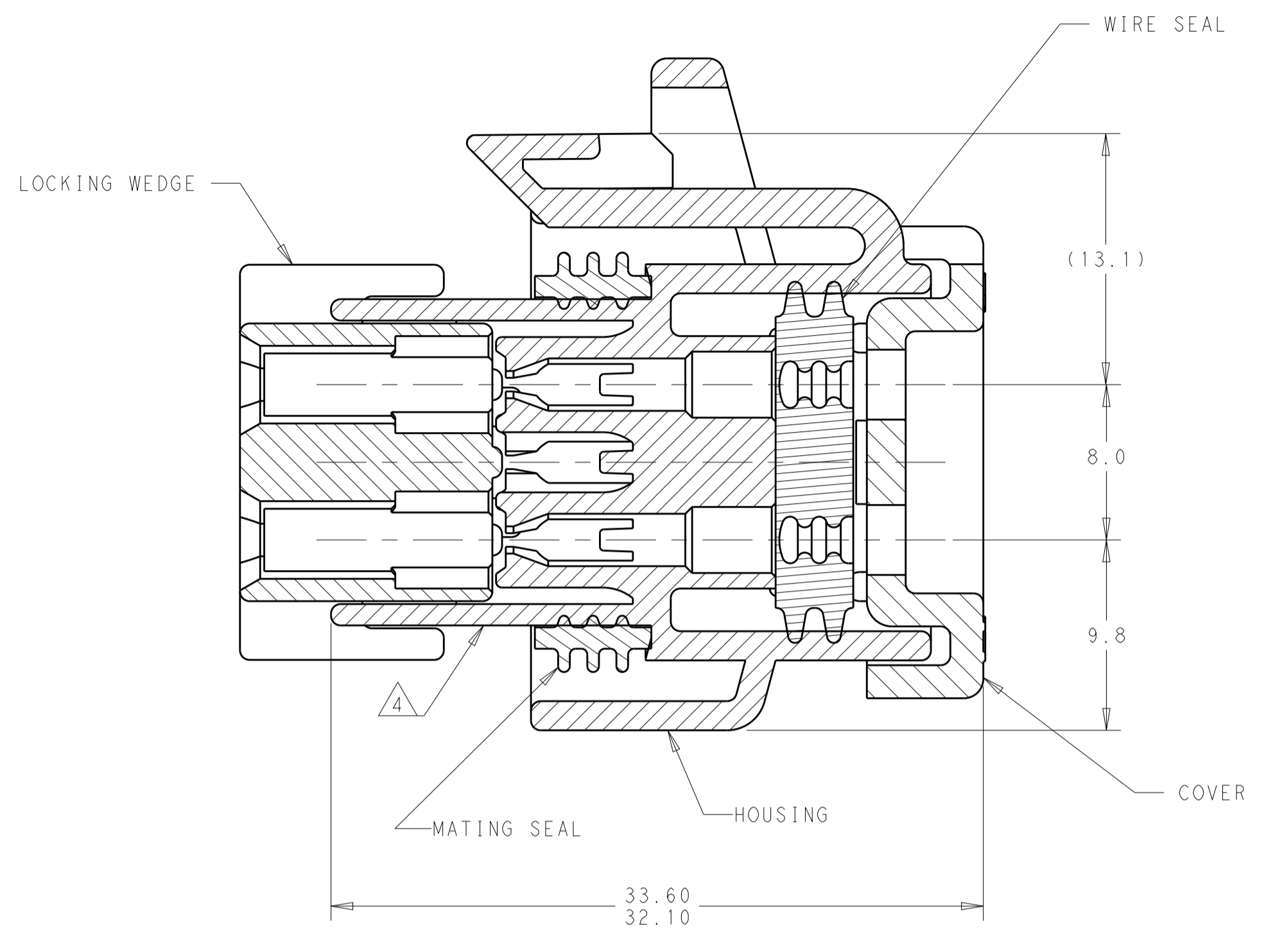


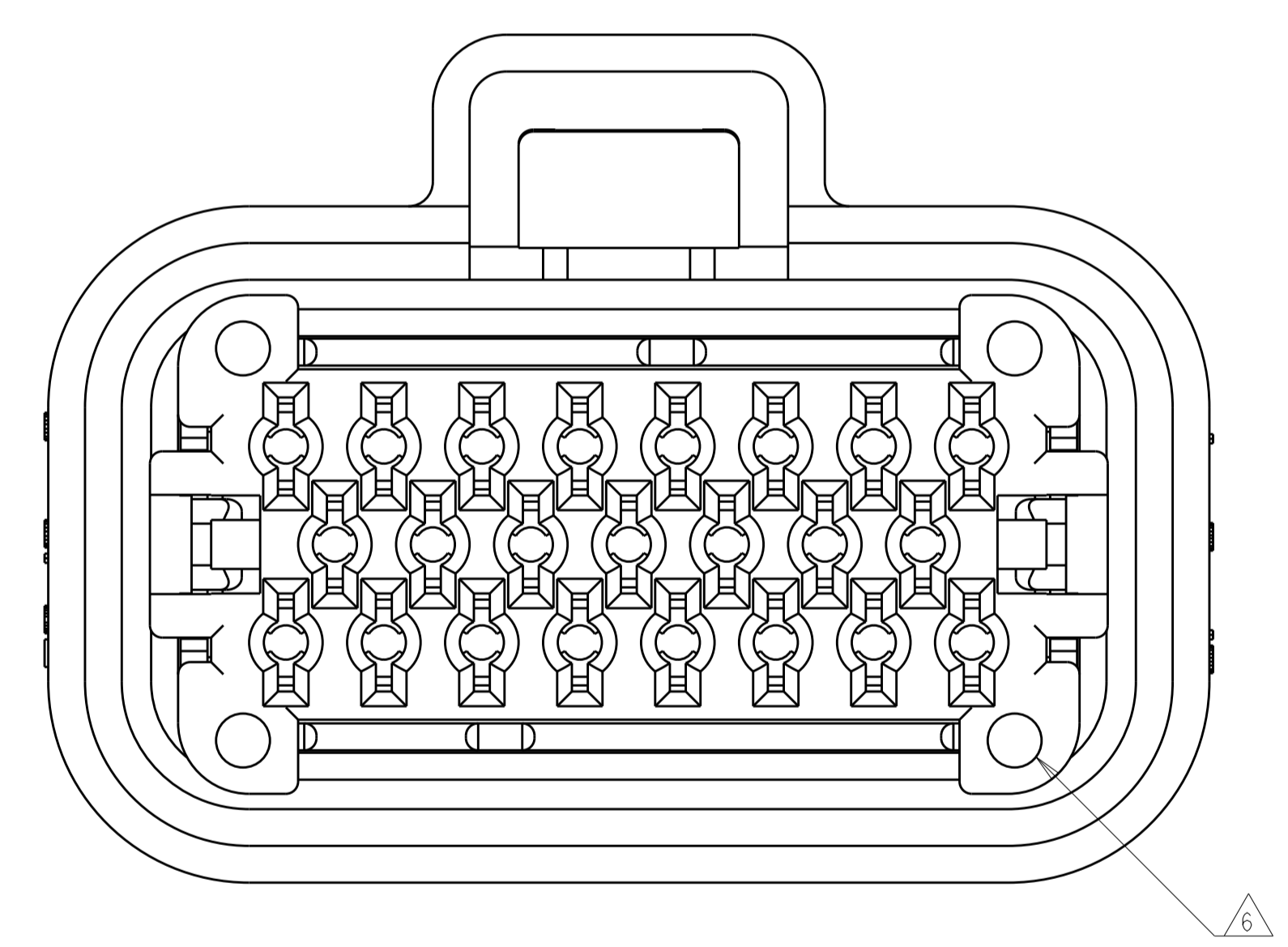
| REVISIONS | | | | | |
|-----------|-----|---------------------------|-----------|-----|------|
| P. | LTN | DESCRIPTION | DATE | DWN | APVD |
| C | | REVISED PER ECO-15-017333 | 29DEC2015 | DD | DS |
| D | | REVISED PER ECO-16-006990 | 16MAY2016 | DD | DS |
| D1 | | REVISED PER ECO-17-007878 | 31MAY2017 | JM | DS |
| E | | REVISED PER ECO-18-019884 | 19DEC2018 | DS | DS |

- MATERIAL: HOUSING - UL94V-0 PBT
 LOCKING WEDGE - UL94V-0 PBT, RED
 COVER - UL94V-0 PBT, BLACK
 MATING SEAL - SILICONE
 WIRE SEAL - SILICONE
- HOUSING COLORS ARE MECHANICALLY KEYPED TO MATE WITH IDENTICALLY COLORED HEADER ASSEMBLIES.
- PLUG USES REELED TERMINAL 770520 OR LOOSE PIECE TERMINAL 770854.
- DATE CODE ON THIS SURFACE. USES 5 DIGIT CODE: FIRST 2 DIGITS = YEAR, SECOND 2 DIGITS = WEEK, LAST DIGIT = DAY.
- CIRCUITS 3, 7, 16, 17, 21, 22 BLOCKED
- OPTIONAL VOID CORING ON 35 POSITION PLUG ASSEMBLY 776164.



23-POSITION CONNECTOR SHOWN, SEE TABLE BELOW FOR ALTERNATE DIMENSIONS.

| CONNECTOR SIZE | A | B | C |
|----------------|------|----|-------|
| 8-POSITION | 27.4 | 40 | 27.50 |
| 14-POSITION | 35.4 | 44 | 27.60 |
| 23-POSITION | 47.4 | 50 | 27.60 |
| 35-POSITION | 63.4 | 66 | 27.45 |



BOTTOM VIEW WITH LOCKING WEDGE

| MATING HEADER | RIGHT-ANGLE | WIRE SEAL COLOR | MATING SEAL COLOR | HOUSING COLOR | NO. OF POSITIONS | PART NUMBER |
|----------------|----------------|-----------------|-------------------|---------------|------------------|-------------|
| 776230, 776231 | 776180, 776163 | RED | RED | ORANGE | 35-POSITION | 776164-6 |
| | | | | BLUE | | 776164-5 |
| | | | | GREY | | 776164-4 |
| | | | | NATURAL | | 776164-2 |
| 776200, 776228 | 770669, 776087 | GREEN | RED | BLACK | 23-POSITION | 776164-1 |
| | | | | BLUE | | 770680-5 |
| | | | | GREY | | 770680-4 |
| | | | | BLACK | | 770680-3 |
| 776261, 776262 | 776266, 776267 | GREEN | GREEN | NATURAL | 14-POSITION | 770680-2 |
| | | | | BLACK | | 770680-1 |
| | | | | BLUE | | 776273-5 |
| | | | | GREY | | 776273-4 |
| 776275, 776276 | 776279, 776280 | YELLOW | YELLOW | NATURAL | 8-POSITION | 776273-2 |
| | | | | BLACK | | 776273-1 |
| | | | | NATURAL | | 776286-2 |
| | | | | BLACK | | 776286-1 |

THIS DRAWING IS A CONTROLLED DOCUMENT.

DIMENSIONS: mm

TOLERANCES UNLESS OTHERWISE SPECIFIED:

| | |
|--------|------|
| 0 PLC | ± |
| 1 PLC | ±0.2 |
| 2 PLC | ± |
| 3 PLC | ± |
| 4 PLC | ± |
| ANGLES | ± |

MATERIAL: SEE NOTE 1

FINISH: -

DATE: 11JUN2015

CHK: A. MARTIN

DATE: 29JUN2015

APVD: D. STRAUSSER

DATE: 29JUN2015

APVD: G. BROWN

PRODUCT SPEC: 108-1329

APPLICATION SPEC: -

SIZE: 114-16016

WEIGHT: -

CUSTOMER DRAWING

SCALE: 4:1

SHEET 1 OF 2

REV E

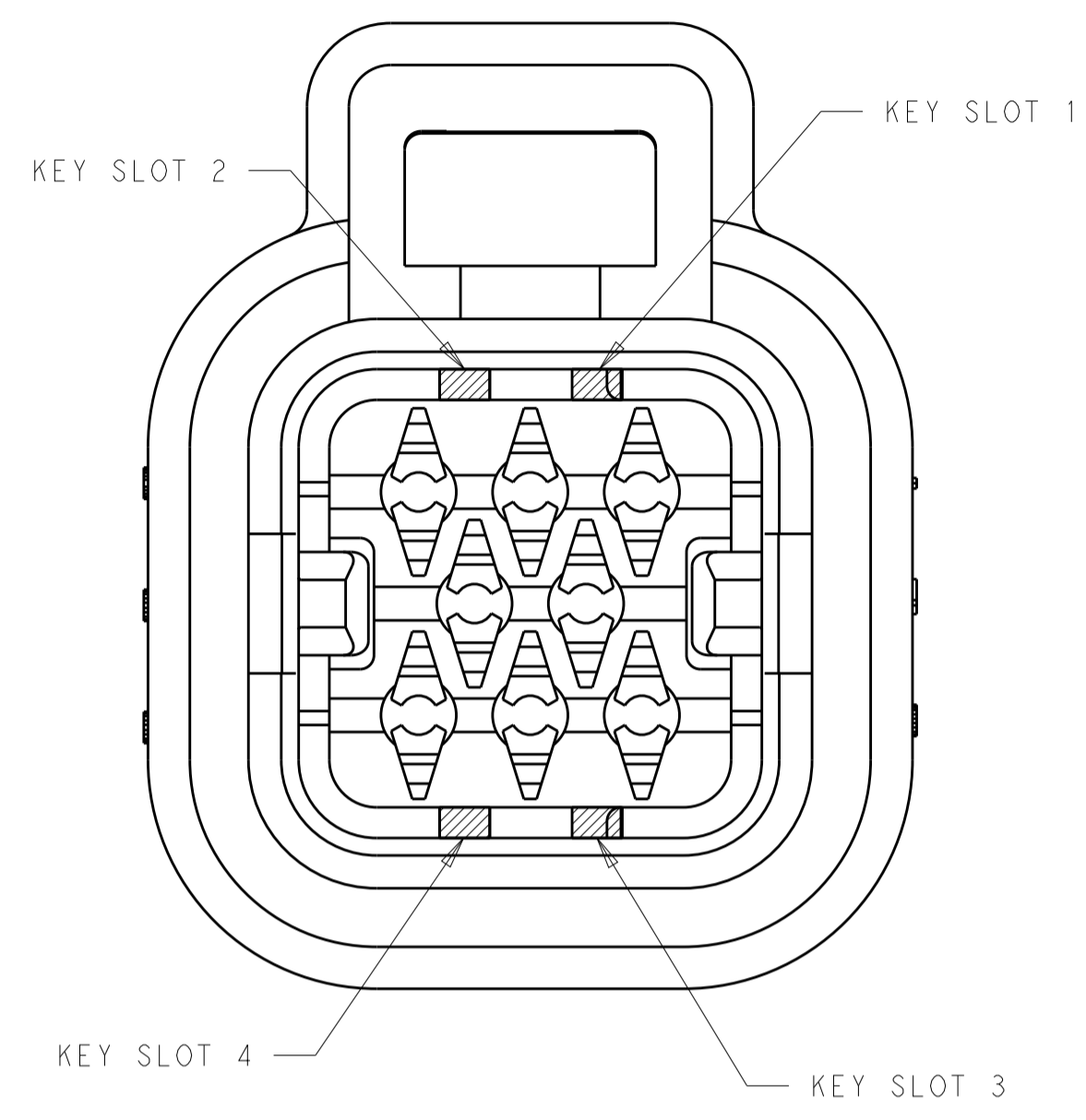
TE Connectivity

PLUG ASSEMBLY, AMPSEAL FAMILY DRAWING

SIZE: A100779

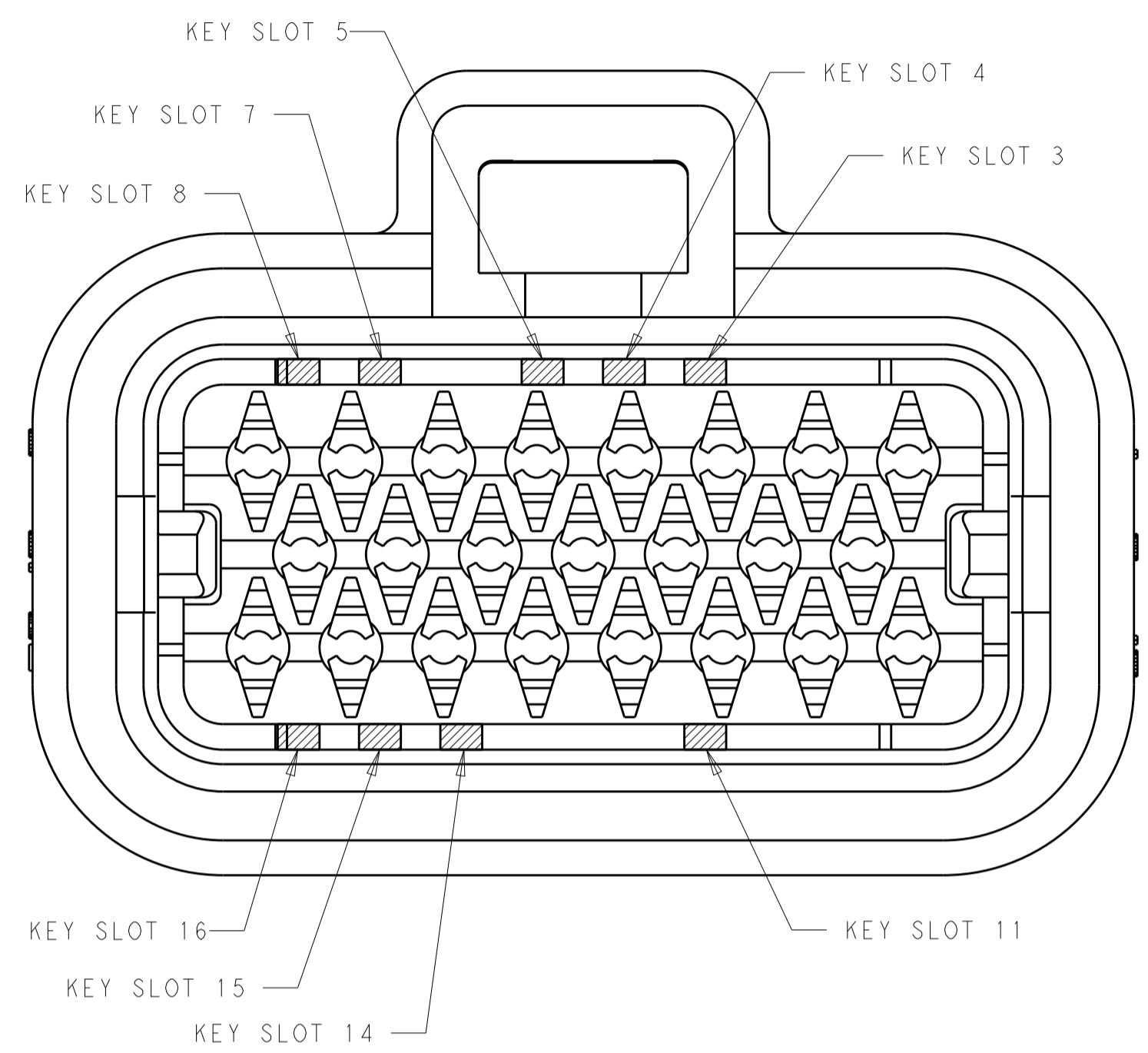
CAGE CODE: C=2293782

| REVISIONS | | | | |
|-----------|-----|-------------|------|------|
| P. | LTN | DESCRIPTION | DATE | APVD |
| - | - | SEE SHEET 1 | - | - |
| | | | | |
| | | | | |



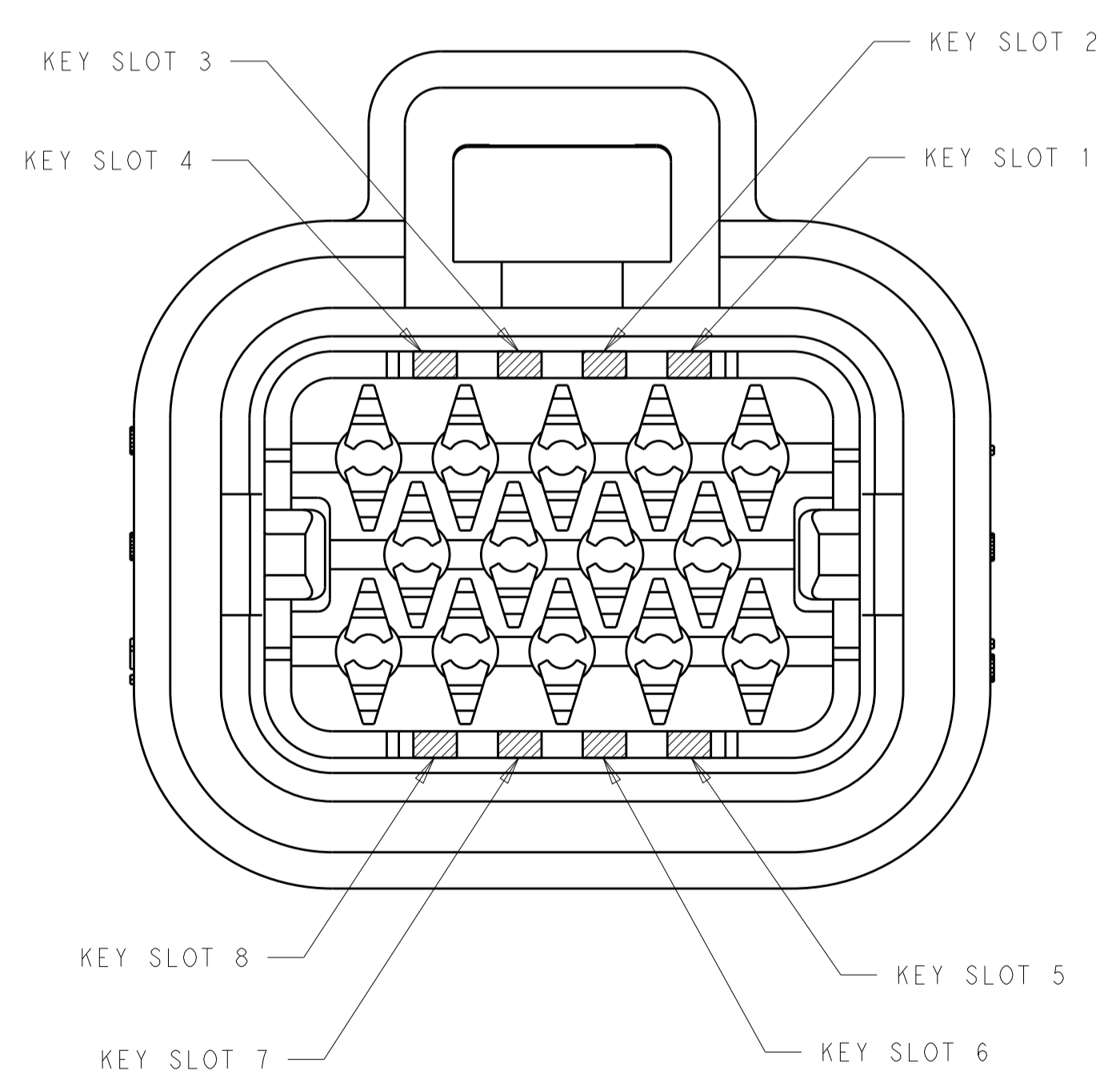
| | | |
|------------------------------------|---------|-------------|
| 1 & 3 | NATURAL | 776286-2 |
| 2 & 4 | BLACK | 776286-1 |
| KEY SLOT LOCATION (SEE VIEW ABOVE) | COLOR | PART NUMBER |

8-POSITION CONNECTOR
KEY SLOT LOCATIONS
SCALE 4:1



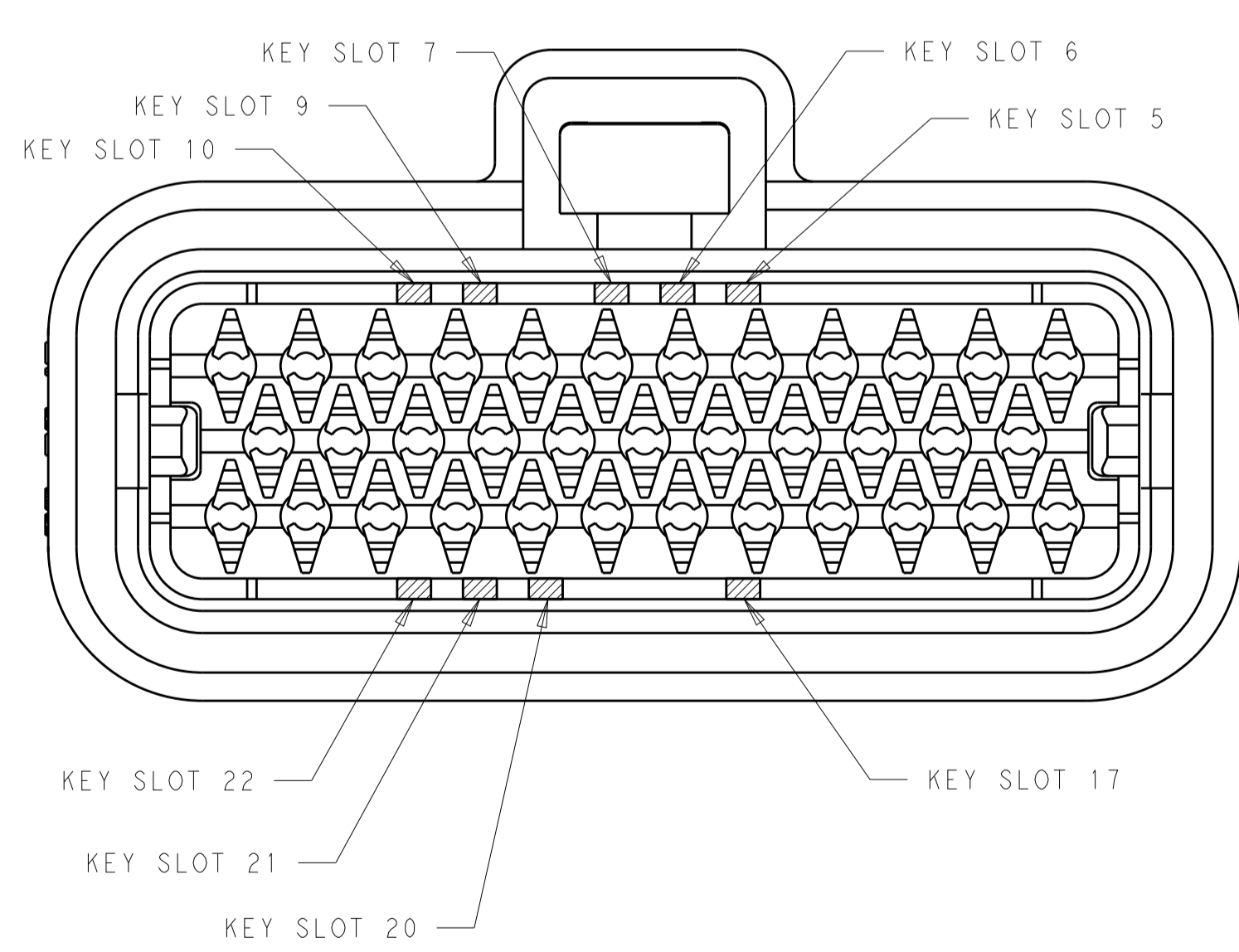
| | | |
|------------------------------------|---------|-------------|
| 3, 8 & 16 | BLUE | 770680-5 |
| 7 & 15 | GREY | 770680-4 |
| 4 & 14 | BLACK | 770680-3 |
| 5 & 11 | NATURAL | 770680-2 |
| 4 & 14 | BLACK | 770680-1 |
| KEY SLOT LOCATION (SEE VIEW ABOVE) | COLOR | PART NUMBER |

23-POSITION CONNECTOR
KEY SLOT LOCATIONS
SCALE 4:1



| | | |
|------------------------------------|---------|-------------|
| 3 & 5 | BLUE | 776273-5 |
| 2 & 8 | GREY | 776273-4 |
| 1 & 6 | NATURAL | 776273-2 |
| 3 & 7 | BLACK | 776273-1 |
| KEY SLOT LOCATION (SEE VIEW ABOVE) | COLOR | PART NUMBER |

14-POSITION CONNECTOR
KEY SLOT LOCATIONS
SCALE 4:1



| | | |
|------------------------------------|---------|-------------|
| 7 & 22 | ORANGE | 776164-6 |
| 5, 10, 22 | BLUE | 776164-5 |
| 9 & 21 | GREY | 776164-4 |
| 7 & 17 | NATURAL | 776164-2 |
| 6 & 20 | BLACK | 776164-1 |
| KEY SLOT LOCATION (SEE VIEW ABOVE) | COLOR | PART NUMBER |

35-POSITION CONNECTOR
KEY SLOT LOCATIONS
SCALE 3:1

| | | | |
|--|------------|-----------------------------|---|
| THIS DRAWING IS A CONTROLLED DOCUMENT. | | OWN: A. MARTIN 11JUN2015 | TE Connectivity |
| DIMENSIONS: mm | | CHK: D. STRAUSSER 29JUN2015 | |
| TOLERANCES UNLESS OTHERWISE SPECIFIED: | | APVD: G. BROWN 29JUN2015 | NAME: PLUG ASSEMBLY, AMPSEAL FAMILY DRAWING |
| 0 PLC ± | 1 PLC ±0.2 | PRODUCT SPEC | SIZE: CAGE CODE DRAWING NO. RESTRICTED TO |
| 2 PLC ± | 3 PLC ± | 108-1329 | A100779C=2293782 |
| 4 PLC ± | ANGLES ± | APPLICATION SPEC | SCALE 1:1 SHEET 2 OF 2 REV E |
| MATERIAL: SEE NOTE 1 | FINISH: - | 114-16016 | CUSTOMER DRAWING |
| | | WEIGHT: - | |

Mouser Electronics

Authorized Distributor

Click to View Pricing, Inventory, Delivery & Lifecycle Information:

[TE Connectivity:](#)

[770680-2](#)