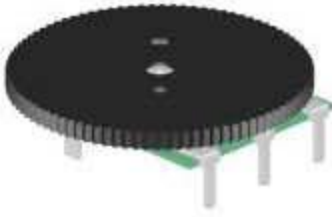


10mm Ultra Thin Micro Rotary Potentiometers

R1001N12B1



Part Number

R1001N12B1 - B 50K / $\phi 16 \times 2.8$

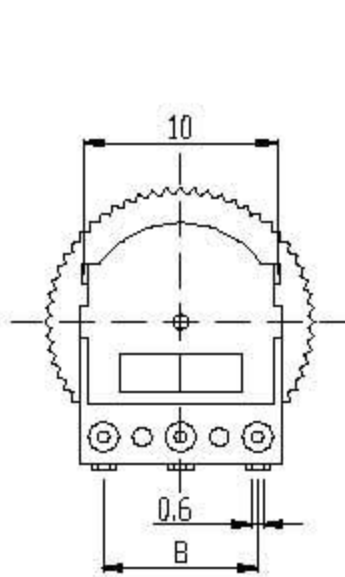
Type

(D)

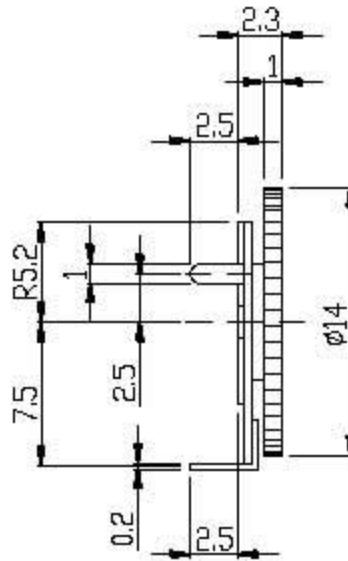
(T)

Resistance value

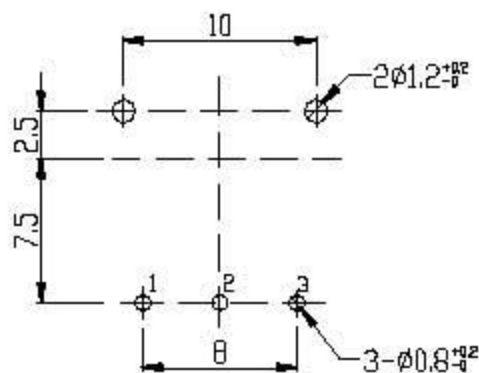
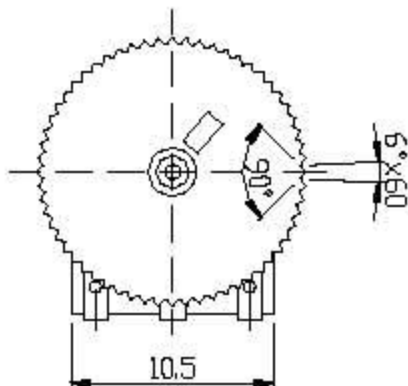
Dimensions



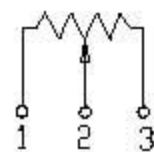
FULL C.C.W POSITION



PCB LAYOUT

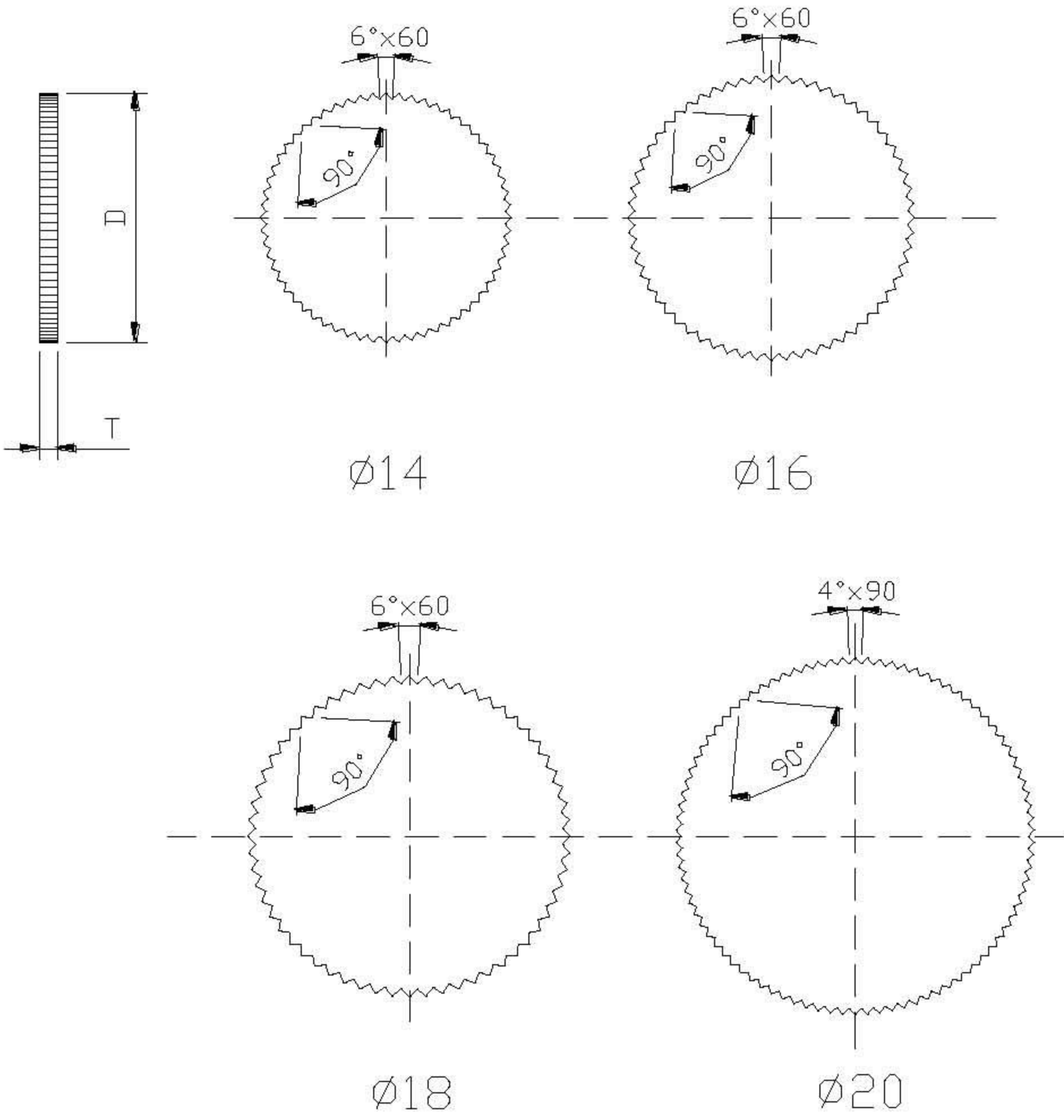


CIRCUIT



10mm Ultra Thin Micro Rotary Potentiometers

Shaft Type



(Unit:mm)

Outside Diameter (D)	φ14	φ14	φ16	φ16	φ16	φ18	φ18	φ18	φ20
Thickness (T)	1.0	2.0	1.0	2.0	2.8	1.0	2.0	2.8	2.0

10mm Ultra Thin Micro Rotary Potentiometers

General

Operating temperature	-10 °C ~ +70 °C
Manual soldering	300 °C Max 3sec

Electrical Characteristics

Total resistance	500Ω ~ 1MΩ
Resistance tolerance	±20% (More than 1MΩ ±30%)
Resistance taper	A B C W
Residual resistance	20Ω Max
Sliding noise	Less than 70 mV
Rated power(W)	0.05W
Max. Operating voltage	DC 30V
Insulation resistance	More than 100MΩ at DC 100V
Withstand voltage	1 Minute at AC 100V

Mechanical Characteristics

Total rotational angle	270°±5°
Rotational torque	20 ~ 100 gf.cm
Shaft push-pull strength	Push force 0.5 kgf.Max Pull force 0.2 kgf.Max
Rotational stopper strength	0.8 Kgf.cm Min
Rotational life	10,000 Cycles