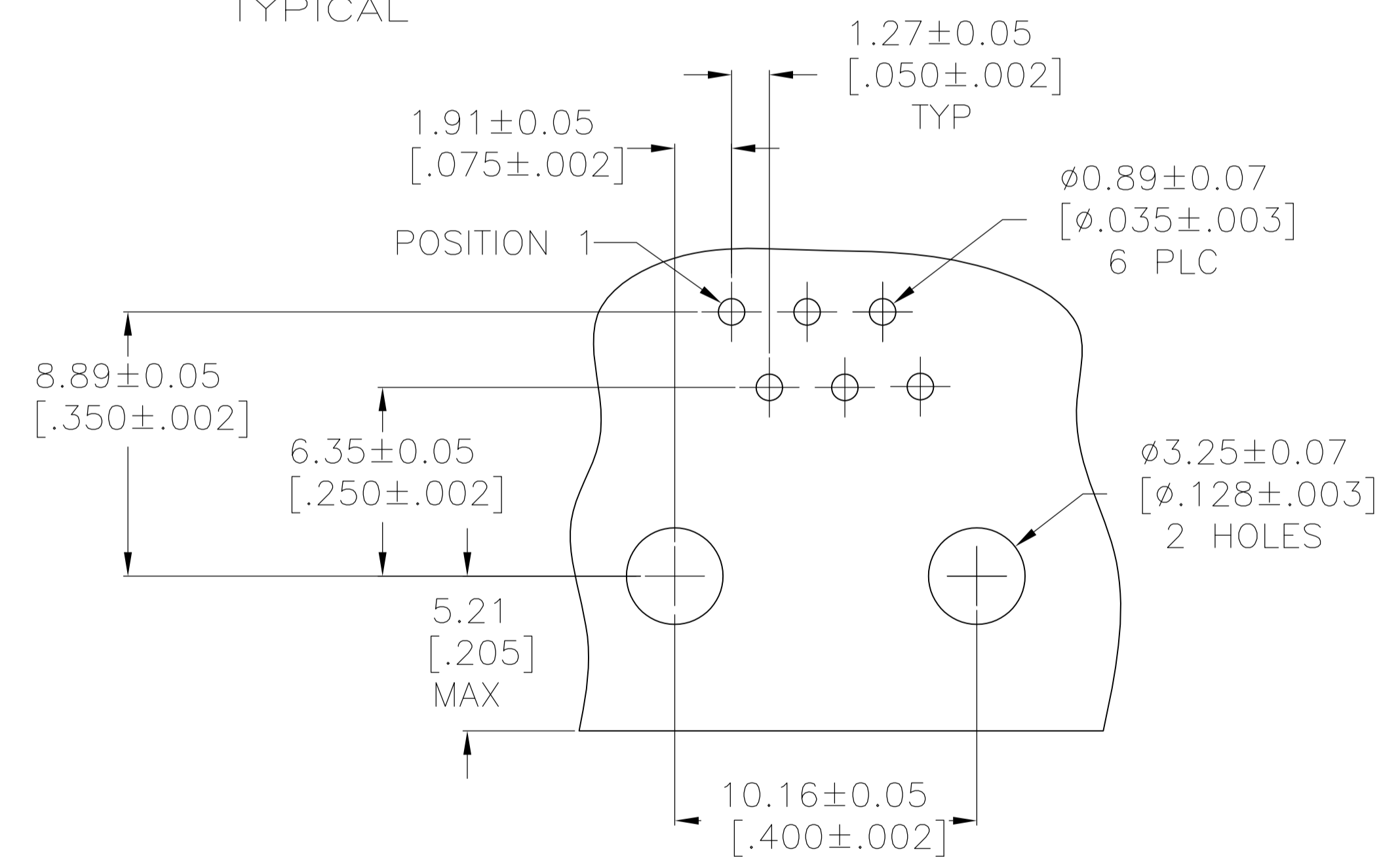
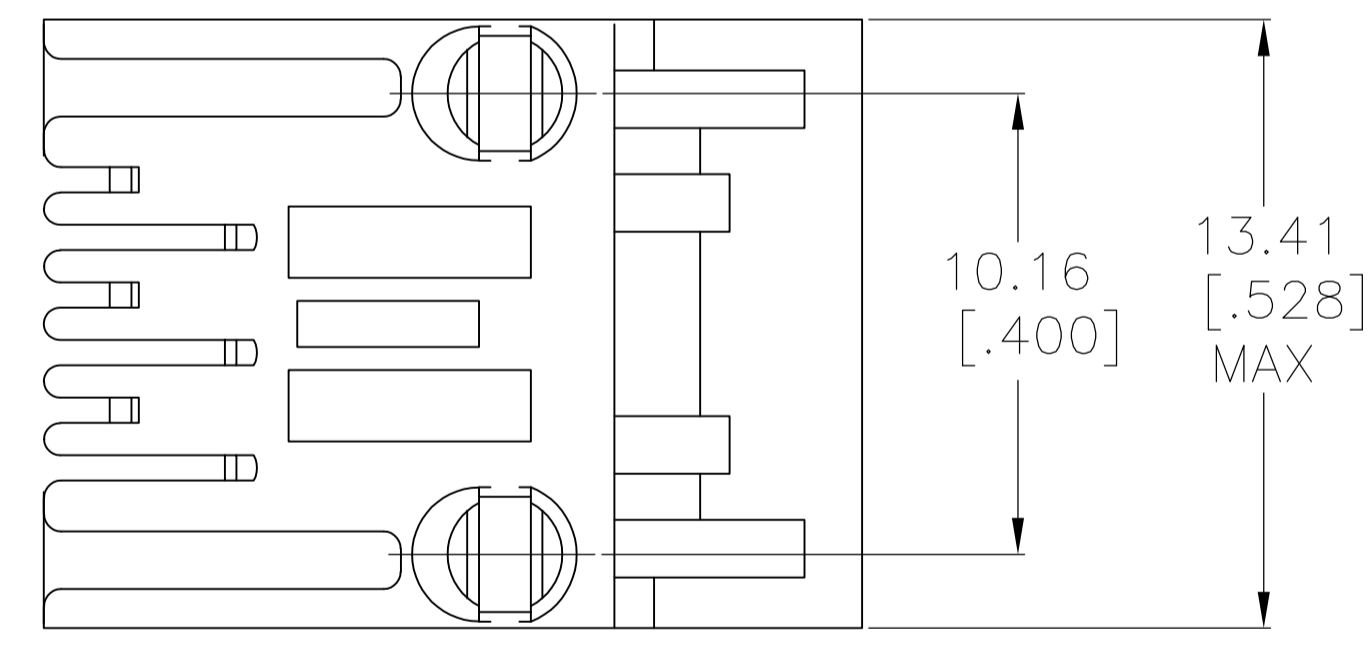
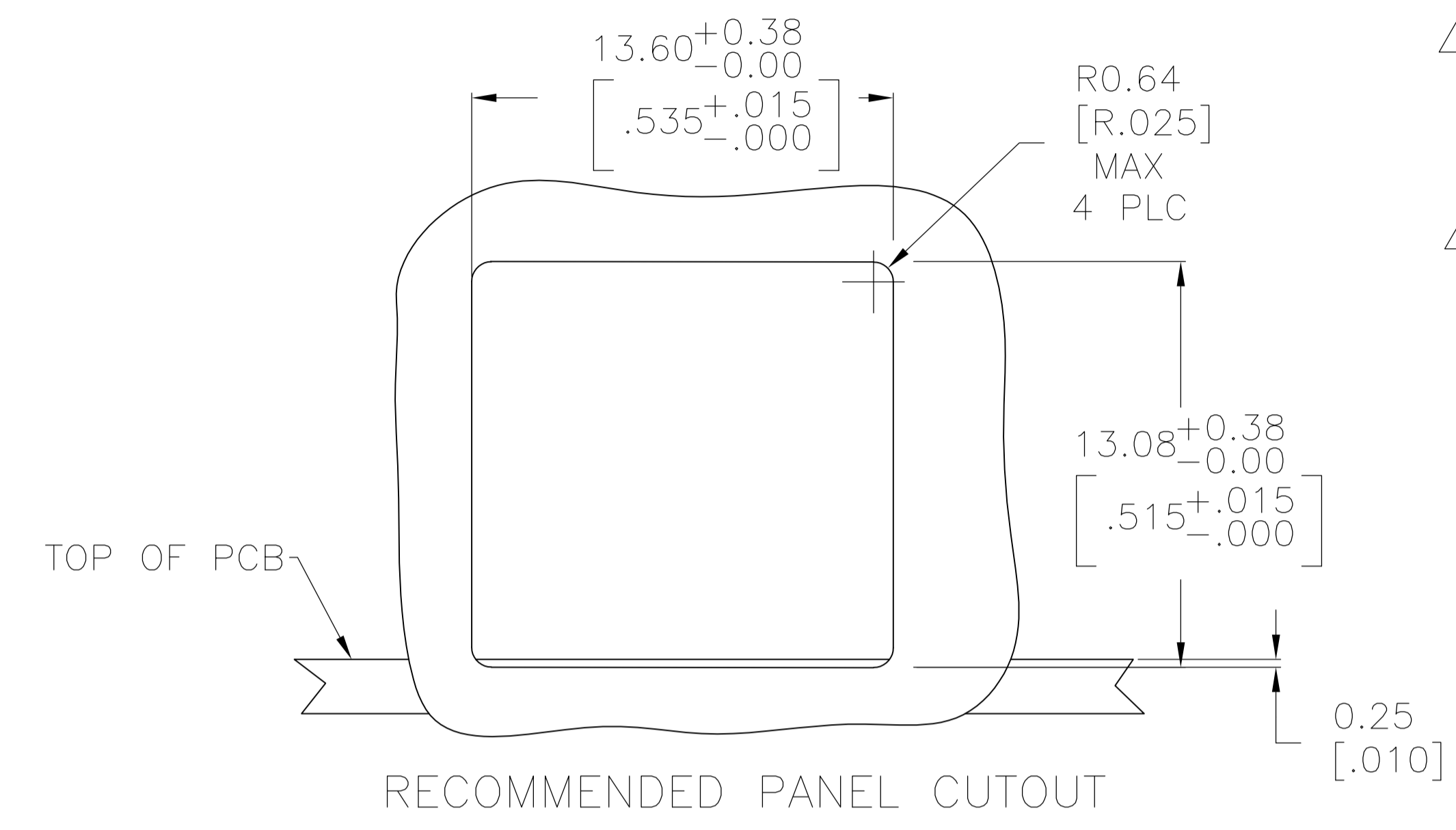
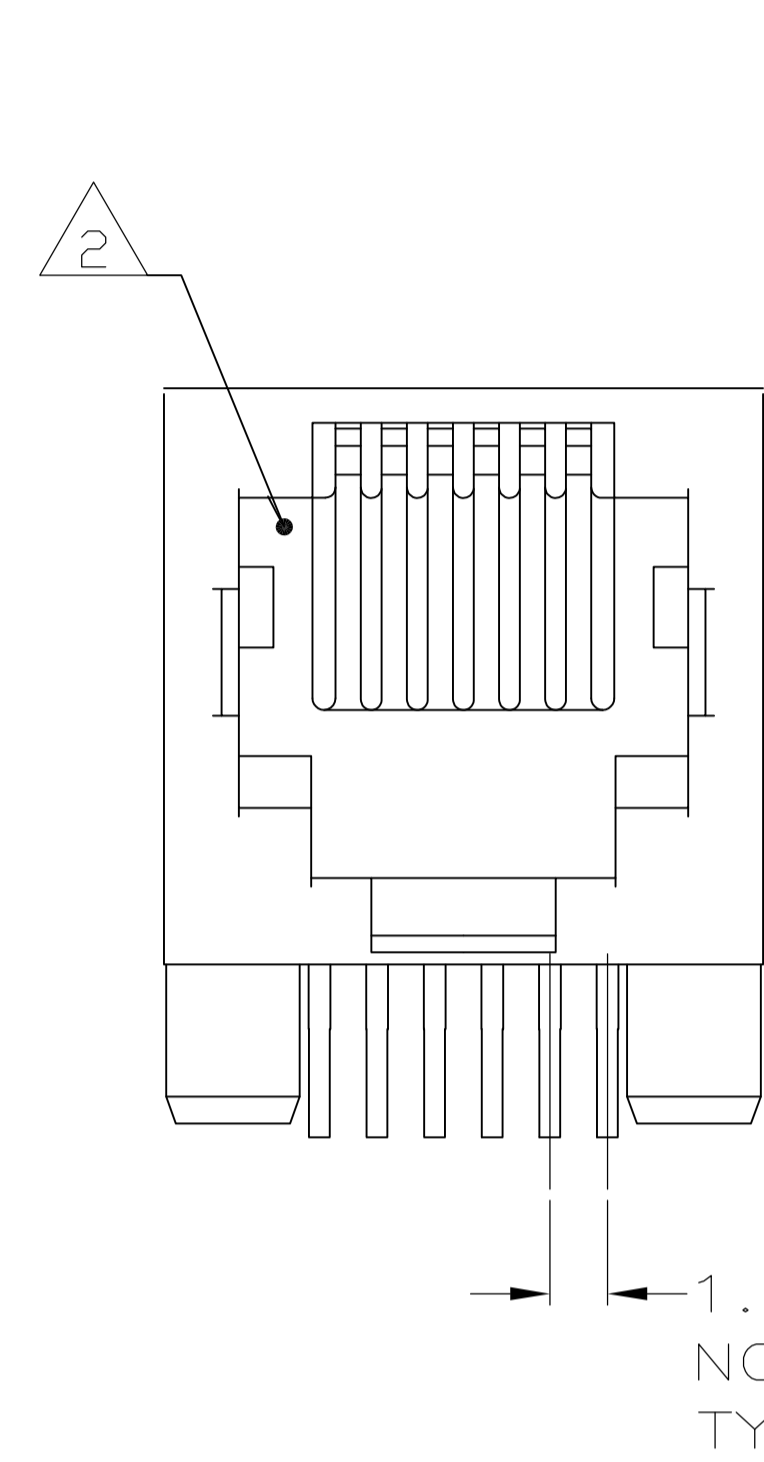
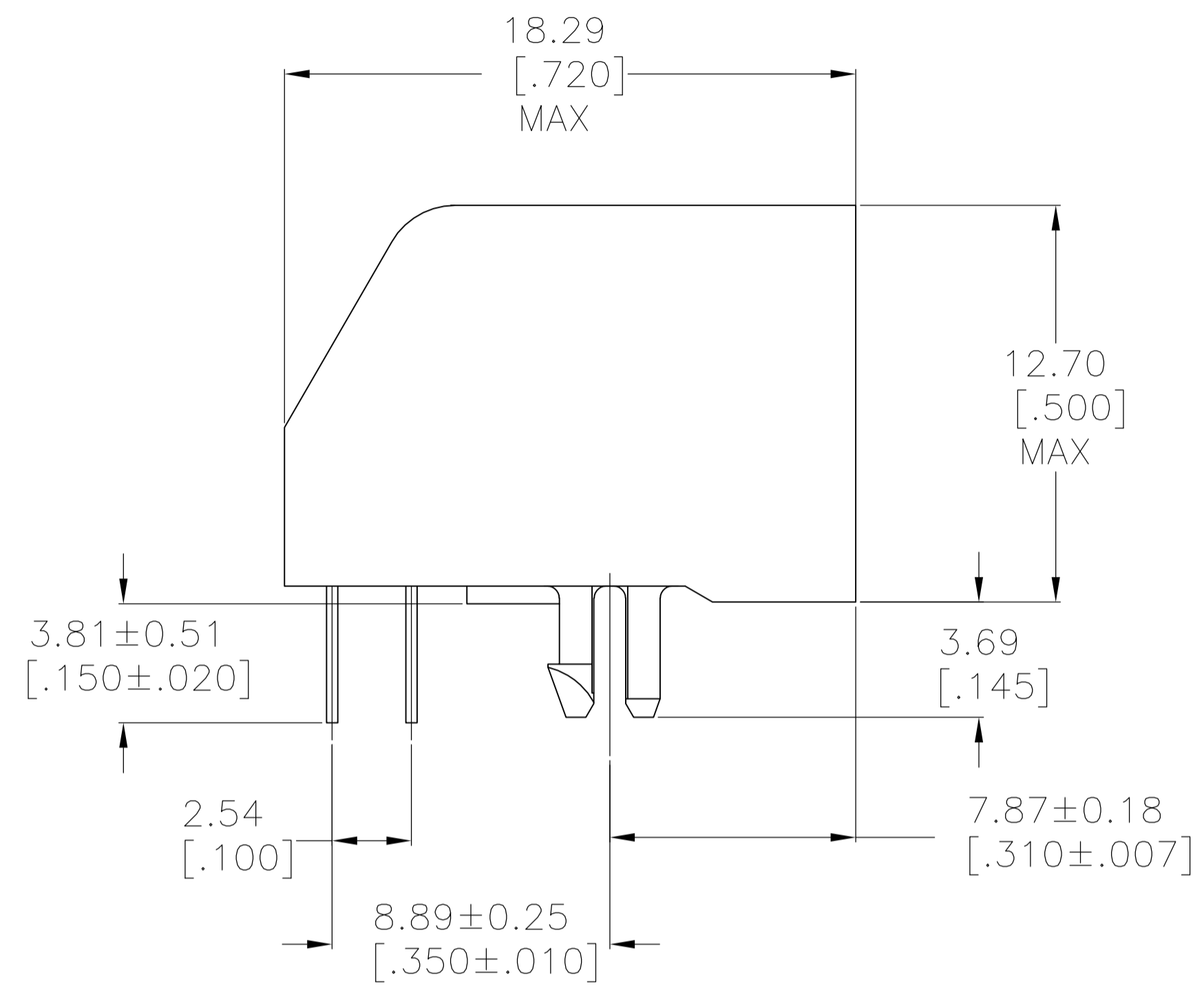


LOC		DIST		REVISIONS			
GP	00	REV	DATE	BY	CHK	APPV	
E2	REVISED PER ECO-12-014371	15NOV2012	CJV	PAR			

- MATERIAL: HOUSING - PBT POLYESTER, COLOR: BLACK  
 TERMINAL - 0.35[.0138] THICK PHOS BRONZE  
 PLATED WITH 1.27 $\mu$ m[.000050] THICK  
 HARD GOLD IN LOCALIZED GOLD PLATE AREA AND  
 2.03 $\mu$ m[.000080] THICK MATTE TIN IN SOLDER  
 AREA OVER 1.27 $\mu$ m[.000050] THICK NICKEL  
 UNDERPLATE.
- CAVITY CONFORMS TO FCC RULES AND REGULATIONS  
 PART 68, SUBPART F.
- BULK PACKAGED IN A TRAY.
- TERMINALS FOR 5555165-2 AND -5 LOCATED IN  
 CENTER POSITIONS.



RECOMMENDED PRINTED CIRCUIT BOARD LAYOUT  
 COMPONENT SIDE SHOWN

OBsolete	DEC GREY	4	4	5555165-8
	BLACK	2	6	5555165-5
	BLACK	4	4	5555165-2
	BLACK	6	4	5555165-1
	COLOR	TERMINALS REQUIRED		PART NUMBER

THIS DRAWING IS A CONTROLLED DOCUMENT. DIMENSIONING AND TOLERANCING PER ASME Y14.5M-2009.

DIMENSIONS: mm [INCHES]	TOLERANCES UNLESS OTHERWISE SPECIFIED:	DIN D. STRAUSSER / L.A. MAYER 08JUNE2005	APVD S. FLICKINGER 08JUNE2005	NAME J. WESTMAN
0 PLC ± -	1 PLC ± -	1 PLC ± -	2 PLC ± 0.13[.005]	3 PLC ± -
4 PLC ± -	ANGLES ± -			
MATERIAL SEE NOTE 1	FINISH SEE NOTE 1	WEIGHT -	SIZE A1	SCALE 6:1
CUSTOMER DRAWING		DATE 000779	REV C=5555165	SHEET 1 OF 1

STE TE Connectivity

MODULAR JACK ASSEMBLY,  
 6 POSITION, LOW PROFILE, RIGHT  
 ANGLE, WITHOUT PANEL STOPS

108-1163

114-2048

RESTRICTED TO