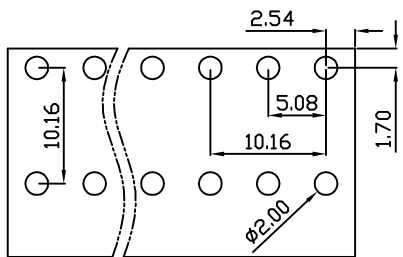
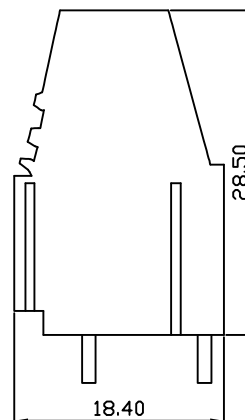
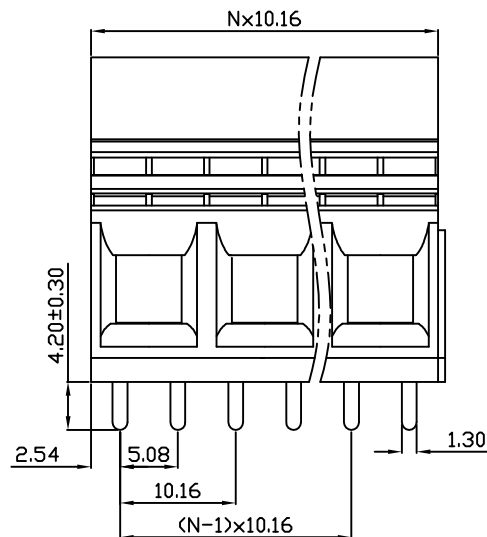
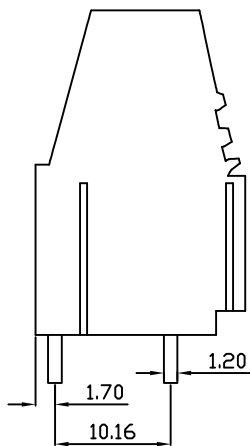
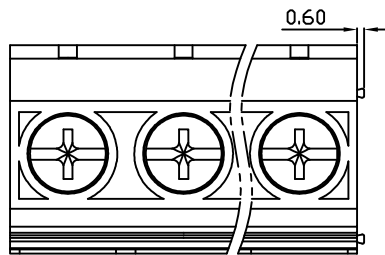


linear dimension(Tolerances Standard GB/T 14486-2008)								—	$\nabla$	$\perp$
variable range	to 6	over 6 to 10	over 10 to 30	over 30 to 60	over 60 to 100	over 100 to 160	over 160 to	to 10	over 10 to 100	over 100 to
tolerance	±0.20	±0.30	±0.50	±0.70	±1.00	±1.30	±1.60	0.10	0.30	0.60



PCB Layout



DB116B — 10.16 — XXP — C — S/P  
 (Series No.) (Pitch) (Poles) Slotted/Phillips  
 (Color) : 1.(Green) 2.(Black) 3.(Blue) 4.(Clear) 5.(Gray)  
 6.(Orange) 7.(Red) 8.(White) 9.(Yellow)

APPD: J.Ting Chen 2022.7.26  
 CHKD: Duck Mao 2022.7.26  
 DRFT: Steven Lu 2022.7.26

**DORABO**

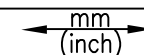
宁波地博电气有限公司  
 Ningbo Dorabo Electric CO., Ltd

NAME:

DB116B-10.16-XXP-C-P



SIZE: A4



REV

T0-1

TYPE: CUSTOMER\_DRAWING

SCALE: 1:1

SHEET

1/1

UL/CUL 技术参数	UL/CUL Technical Data		
等级 Use Group	B	C	D
额定电压 Rated Voltage [V]	600	-	600
额定电流 Rated Current [A]	65	-	5
接线范围 Wire Range	20-6		
单/多芯线 Solid/Stranded [AWG]			
耐电压 Withstanding Voltage	2200V/1Min		
IEC 技术参数	IEC Technical Data		
过电压类别 Overvoltage Category	III	III	II
污染等级 Contamination Class	3	2	2
额定电压 Rated Voltage [V]	630	1000	1000
额定电流 Rated Current [A]	57	57	57
额定冲击电压 Impulse withstand voltagea [KV]	8	8	8
导线截面积 Conductor cross section	10		
硬质/柔性导线 Solid/flexible [mm <sup>2</sup> ]			
材料 Material			
绝缘材料 Insulation Material	PA66		
阻燃等级 Imflammability	UL94V-0		
导体材料 Contactor Material	铜合金 Copper alloy		
导体表面镀层 Contactive Coating	镀锡 Sn Plated		
一般参数 Other Data			
间距 Pitch [mm]	10.16		
极数 Poles [P]	02-24		
剥线长度 Stripping Length [mm]	11-12		
螺丝 Screw/扭矩 Torque(Max) [N.m]	M4/1.2		
工作温度 Operating temperatur [°C]	-40~+105		
引针尺寸 Pin Dimensions [mm]	1.20x1.30		
PCB板孔径 PCB Hole Diameter [mm]	2.00		