

Post Header for Printed Circuit Board and Plug Housing

**Horizontal Mount Type
Solder Mounting Type
(With Retention Leg)**

Material & Finish:

Housing — UL 94V-0 rated, glass-filled, 6/6 Nylon
Contact — brass, tin-lead plated

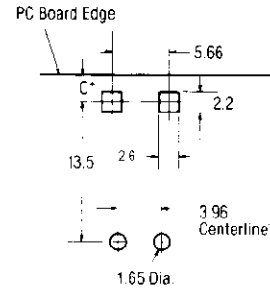
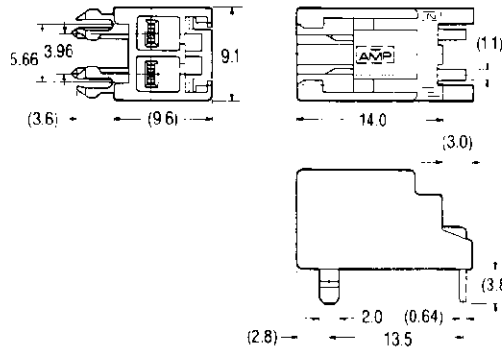
Housing Color for suffix

- 1 Natural
- 2 Red
- 4 Yellow
- 6 Blue
- 9 Black

Dimension of Contact Post:

0.64 x 1.1

2 Circuits (3.96mm Centerline)

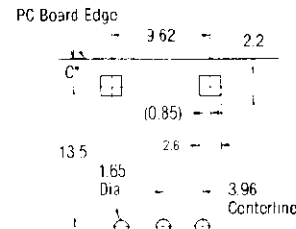
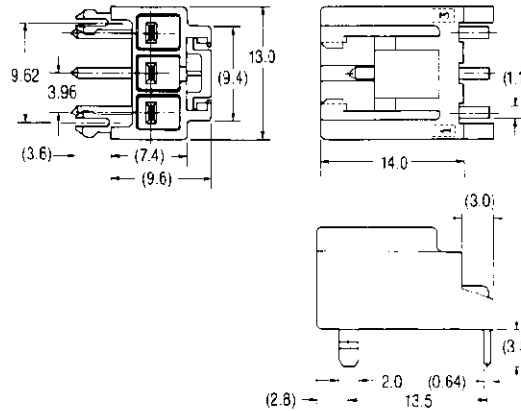


PC Board Layout

PC Board thickness: 1.6mm

*When punching a hole in the board, every caution must be taken in setting Dimension C so that no crack is developed in the board.

2 Circuits (7.92mm Centerline) and 3 Circuits (3.96mm Centerline)



PC Board Layout

PC Board thickness: 1.6mm

*When punching a hole in the board, every caution must be taken in setting Dimension C so that no crack is developed in the board.

No. of Circuit	Centerline	Part No. of Post Headers	Part No. of Mating Housing
2	3.96	178495-□	176271-□
2	7.92	2-178496-□	178125-□
3	3.96	178496-□	176272-□

**Plug Housing for
7.92mm Centerline
(2 Circuits)**

Material:

UL94V-0 rated, 6/6 Nylon

Part Number: 178125-□

Housing Color for suffix

- 1 Natural
- 2 Red
- 4 Yellow
- 6 Blue
- 9 Black

Applicable Contact

P/N: 175151-□ (26-22 AWG)
175152-□ (20-16 AWG)

