

## Category 5e Panel Mount Coupler



### Category 5e Unshielded Panel Mount Coupler (FACK4BKPM)

#### Features

- High performance data throughput, meets Category 5e data transfer rates
- Easily mounted into panels of virtually any thickness
- Die cast adaptor is robust and ensures easy mounting (into standard cut-out) and reliable earthing

#### Specifications

- Dimensions: 35.5 x 19.12 x 29.54mm approx. (H x W x D)
- Assembled weight (without screws): 14g approx.
- Colour:     **Coupler:** Black                                     **Panel mount:** Silver
- Material:   **Coupler:**  
                  Housing ABS UL90V-0                                     **Panel mount adaptor:** Zinc  
                  Contacts: 50µ"/ 1.27µm gold plating over nickel plated phosphor bronze
- Supplied with 2 pairs of screws  
                  2 x round head nickel plated steel self-tapping screws  
                  2 x round head (4.40 x 1/4") machine screws
- For more detailed coupler specification please see webpage below:  
                  [http://www.tuk.co.uk/tuk\\_live/product\\_details.php?category\\_id=&pld=438](http://www.tuk.co.uk/tuk_live/product_details.php?category_id=&pld=438)

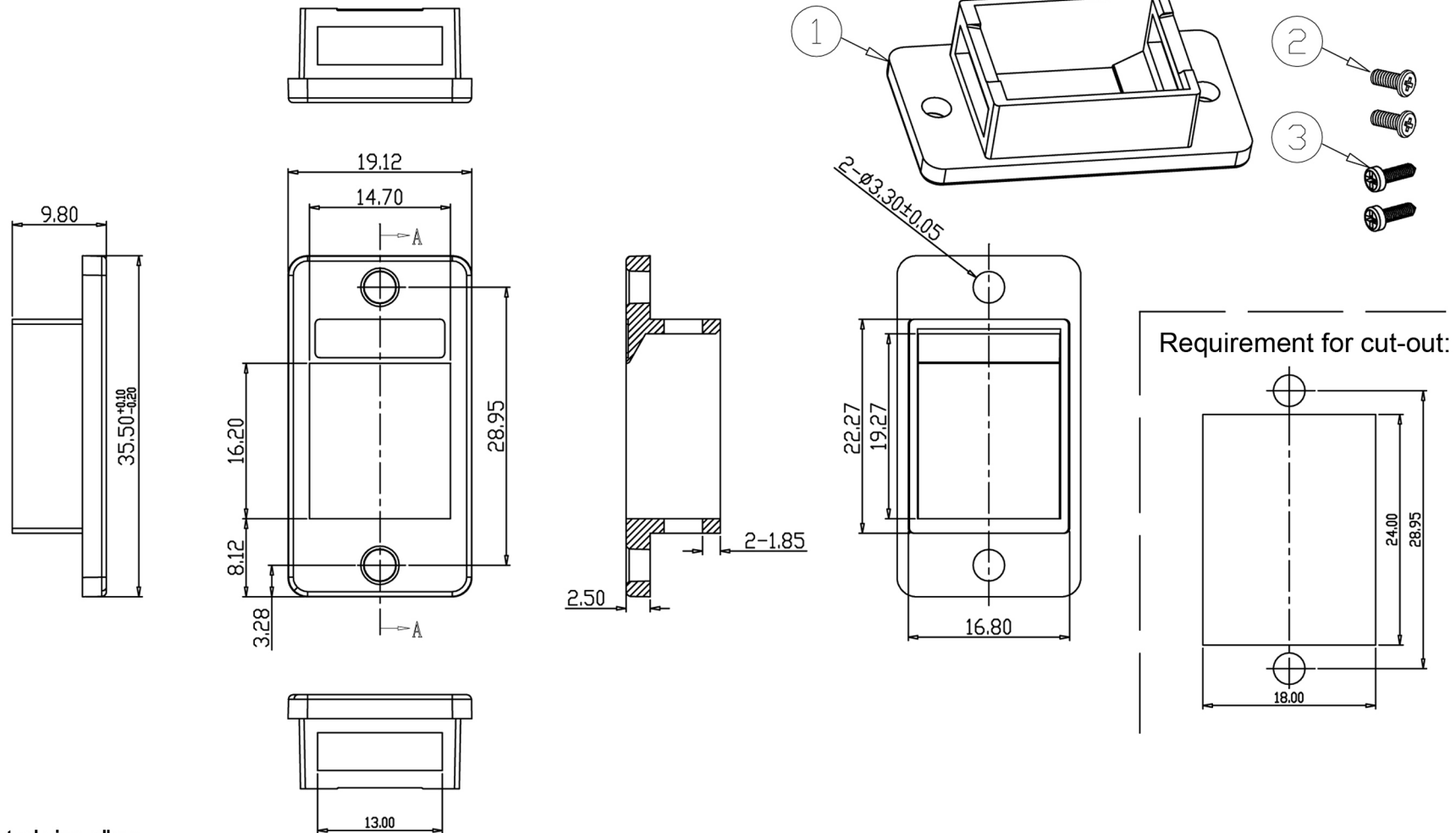
**Packaging:** Supplied as a kit in individual polythene bags, then in bags of 20

**Commodity Code:** 85444920

**EAN Number:** 5055386507662

ROHS Compliant

Code: KAPMA#20

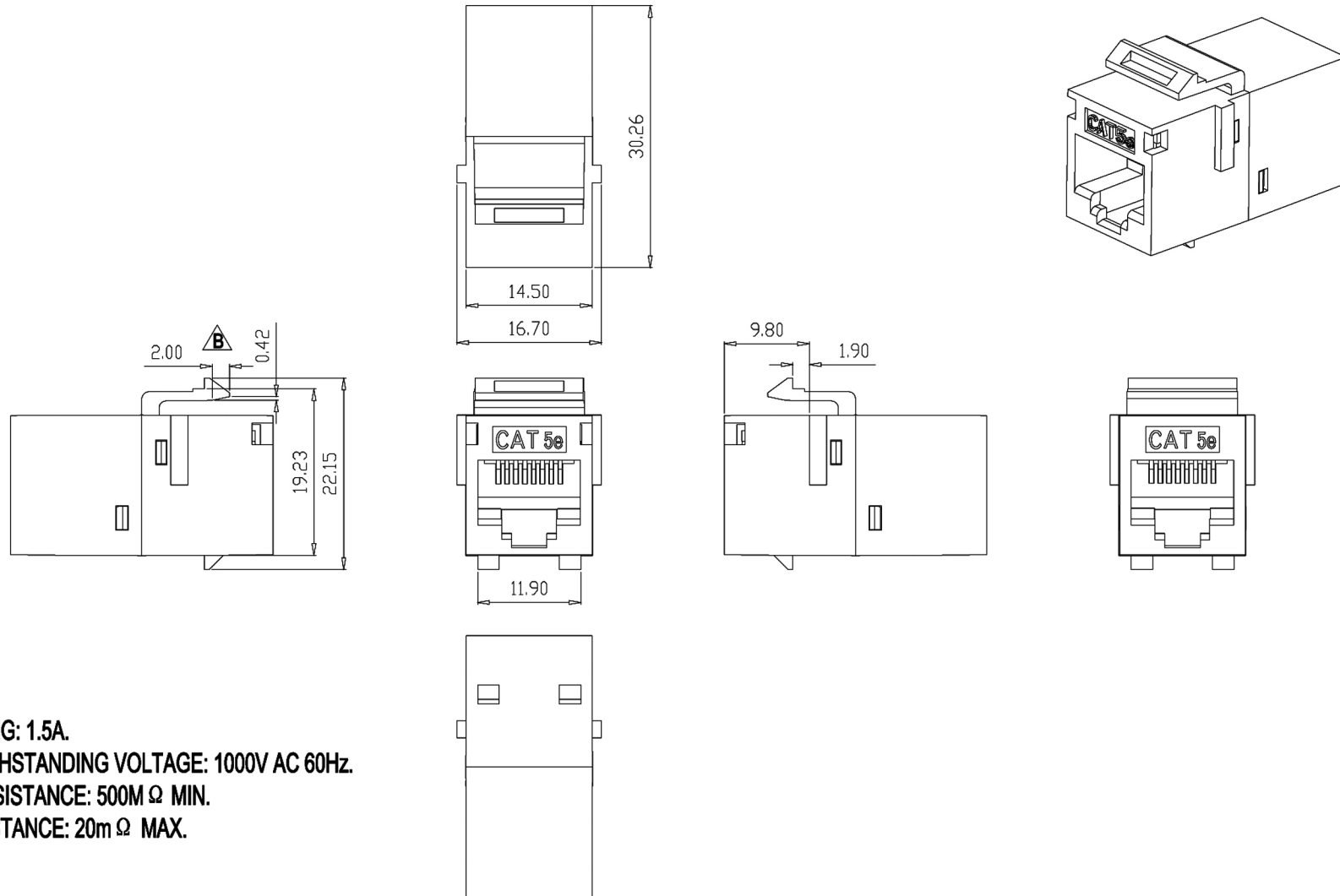


**Materials:**

- 1. Nickel plated zinc alloy
- 2&3. Nickel plated steel

ROHS Compliant

**Code: FACK4bk/wh**



**ELECTRICAL**

**CURRENT RATING: 1.5A.**  
**DIELECTRIC WITHSTANDING VOLTAGE: 1000V AC 60Hz.**  
**INSULATION RESISTANCE: 500M  $\Omega$  MIN.**  
**CONTACT RESISTANCE: 20m  $\Omega$  MAX.**

**MECHANICAL**

(1)Materials:ABS+PC V0  
 (2)RJ45 Jack Contact: 50 $\mu$ m/ 1.27 $\mu$ m gold plating over nickel plated phosphor bronze