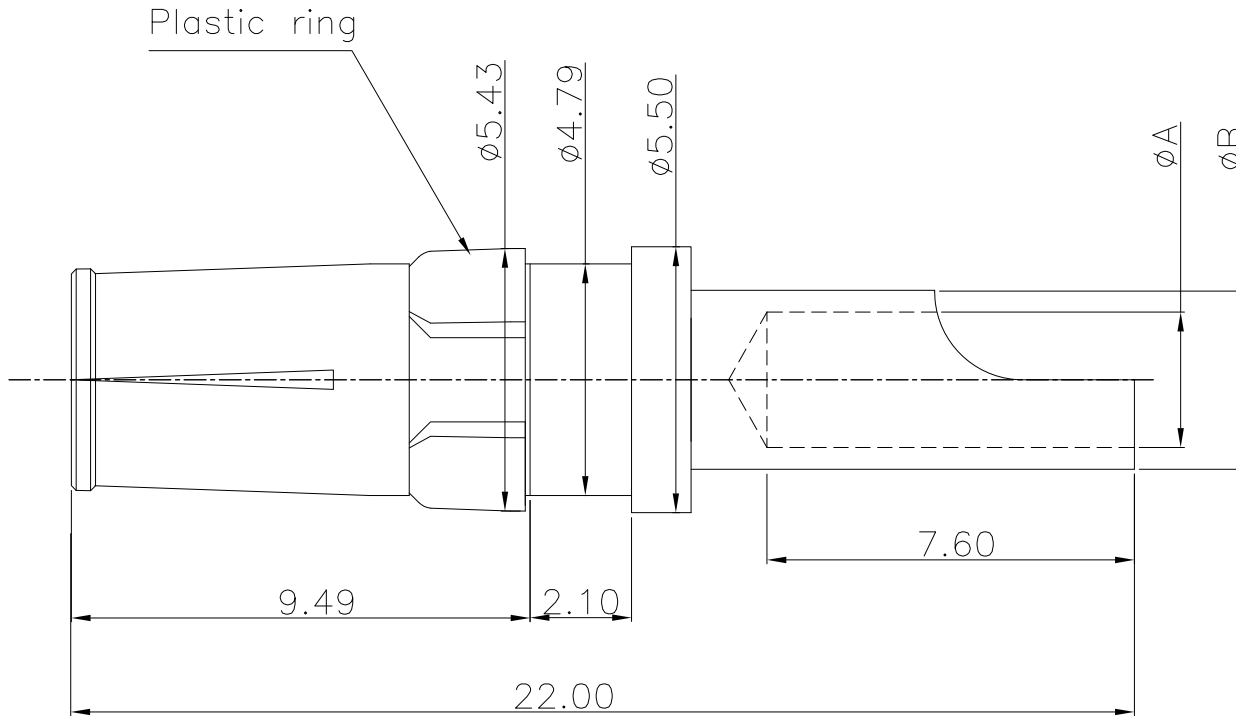


This document is the property of Amphenol Corporation and is delivered on the express condition that it is not to be disclosed, reproduced or used, in whole or in part, for manufacture or sale by anyone other than Amphenol Corporation without its prior consent, & that no right is granted to disclose or to use any information in this document.

Customer drawing

REVISIONS				
SYM	ECN	DESCRIPTION	DATE	APPROVED
1	HK--	First Release Drawing	06/10/08	IP
2	HK--	Update the Drawing	04/25/18	IP



Notes:

- Material and finish
 Body: phosphor bronze
 15u" min gold plating over 50u" min nickel over all
 Plastic ring: thermoplastic, color black.
- Technical characteristics
 Peak voltage: 750V
 Operating voltage: 500V
 Temperature range: -55°C up to +125°C
 Current capability see table
- No burs, no crack on the contact
- Insertion force: Max. 1kgf for $\phi 3.60$
 Withdrawal force: Min. 0.2kgf for $\phi 3.56$



Socket	Current	Dimensions	
		A mm (inch)	B mm (inch)
L17DM537447	10 to 20 Amp	1.80 (.071")	2.55 (.100")
L17DM537446	20 to 30 Amp	2.80 (.110")	3.70 (.145")
L17DM537441	30 to 40 Amp	4.80 (.189")	5.60 (.220")

UNLESS OTHERWISE SPECIFIED TOLERANCES		APPROVAL		DATE
U.S.	METRIC	DRAWN	Checked	
.X +/-	0.30	Victor.Li		04/25/18
.XX +/-	0.20			
.XXX +/-	0.10			
FRACTIONS +/-				
ANGLES +/-	2'			

FOR MATERIALS AND FINISHES SEE NOTES		DRAWING FILE :	
REMOVE SHARP EDGES		ANGLE OF PROJECTION	
DIMENSIONS			
U.S. INCHES			
METRIC MM			

TITLE		
Power female contact with plastic ring		
SIZE	DRAWING NO.	REV.
A4	L17DM53744X	2
SCALE	NONE	SHEET 1 OF 1