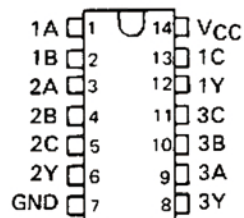


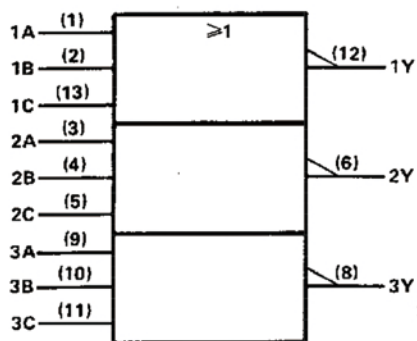
FUNCTION TABLE (each gate)

INPUTS			OUTPUT
A	B	C	Y
H	X	X	L
X	H	X	L
X	X	H	L
L	L	L	H

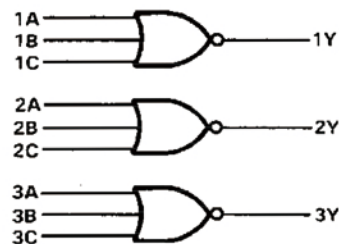
**XD74LS27
(TOP VIEW)**



logic symbol†



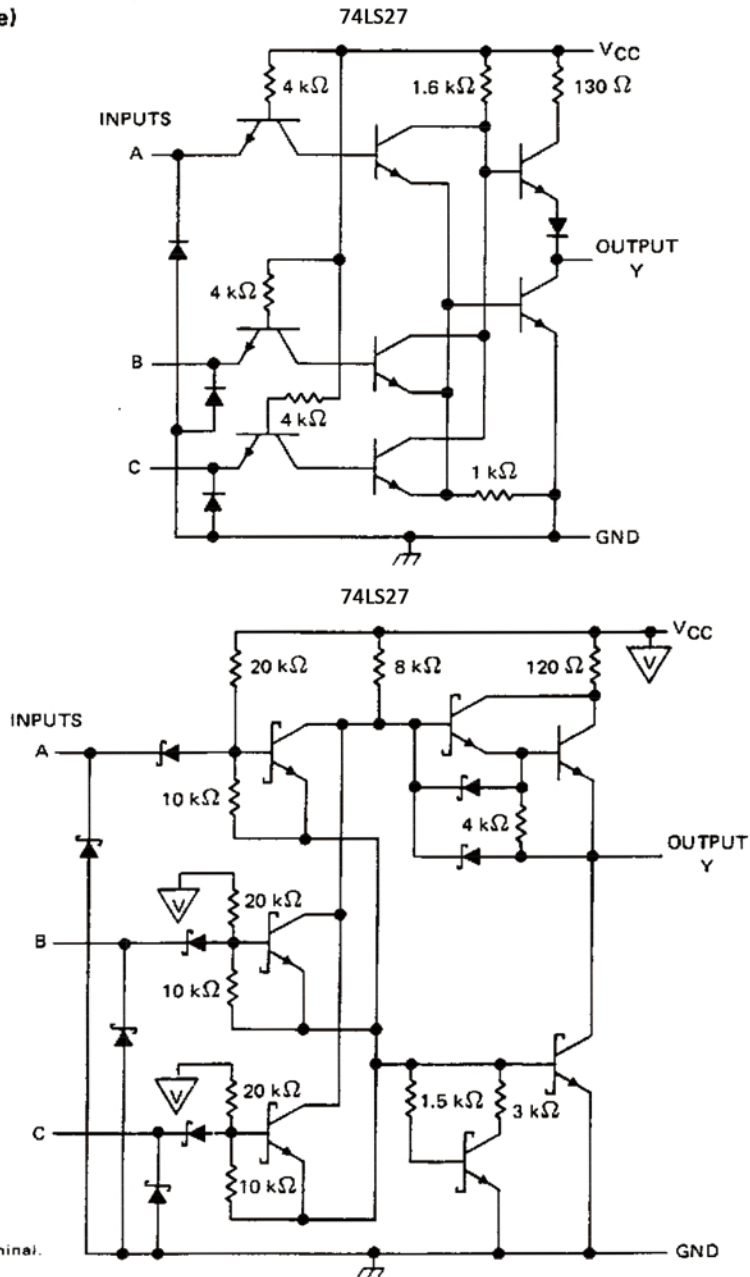
logic diagram



positive logic

$$Y = A + B + C \text{ or } Y = \overline{A \cdot B \cdot C}$$

schematics (each gate)



Resistor values shown are nominal.

absolute maximum ratings over operating free-air temperature range (unless otherwise noted)

Supply voltage, V _{CC} (see Note 1)	7 V
Input voltage: 74LS27	5.5 V
74LS27	7 V
Operating free-air temperature: 74LS27	0°C to 70°C
Storage temperature range	-65°C to 150°C

recommended operating conditions

	74LS27			UNIT
	MIN	NOM	MAX	
V _{CC} Supply voltage	4.75	5	5.25	V
V _{IH} High-level input voltage	2			V
V _{IL} Low-level input voltage			0.8	V
I _{OH} High-level output current			-0.4	mA
I _{OL} Low-level output current			8	mA
T _A Operating free-air temperature	0		70	°C

electrical characteristics over recommended operating free-air temperature range (unless otherwise noted)

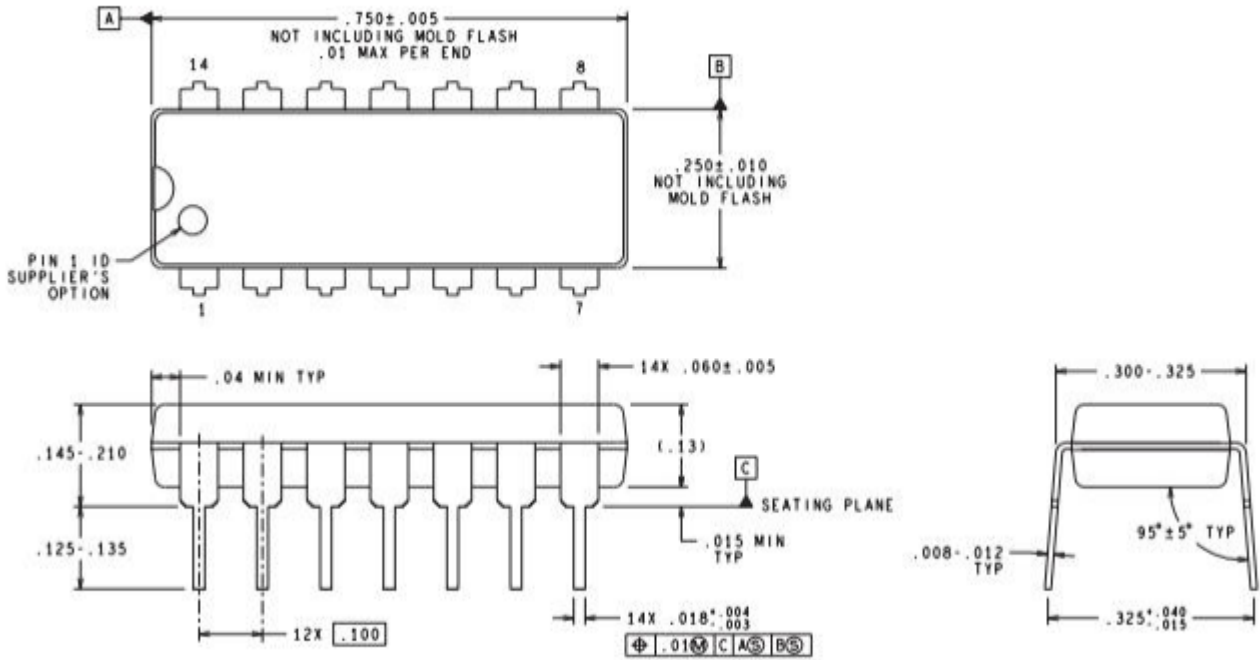
PARAMETER	TEST CONDITIONS†	74LS27			UNIT
		MIN	TYP‡	MAX	
V _{IK}	V _{CC} = MIN, V _{OH} = 18 mA			-1.5	V
V _{OH}	V _{CC} = MIN, V _{IL} = MAX, I _{OH} = -0.4mA	2.7	3.4		V
V _{OL}	V _{CC} = MIN, V _{IH} = 2V, I _{OL} = 4mA		0.25	0.4	V
	V _{CC} = MIN, V _{IH} = 2V, I _{OL} = 8mA		0.35	0.5	
I _I	V _{CC} = MIN, V _I = 7V			0.1	mA
I _{IH}	V _{CC} = MIN, V _I = 2.7V			20	µA
I _{IL}	V _{CC} = MIN, V _I = 0.4V			-0.4	mA
I _{OS} §	V _{CC} = MIN,	-20		-100	mA
I _{CCH}	V _{CC} = MIN, V _I = 0V		2	4	mA
I _{CCL}	V _{CC} = MIN, See Note 2		3.4	6.8	mA

switching characteristics, V_{CC} = 5V, T_A = 25°C (see note 3)

PARAMETER	FROM (INPUT)	TO (OUTPUT)	TEST CONDITIONS	MIN	TYP	MAX	UNIT
t _{PLH}	A, B or C	Y	R _L = 2 kΩ, C _L = 15pF		10	15	ns
t _{PLH}					10	15	ns

NOTE 3: Load circuits and voltage waveforms are shown in Section 1.

DIP14



DIMENSIONS ARE IN INCHES
 DIMENSIONS IN () FOR REFERENCE ONLY

以上信息仅供参考. 如需帮助联系客服人员。谢谢 XINLUDA