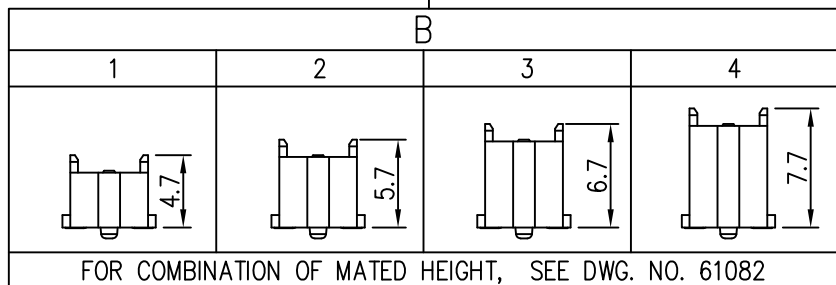


61083-AA B C D E G FF

| AA | NO. OF POSITIONS |
|----|------------------|
| 02 | 2X10             |
| 04 | 2X20             |
| 06 | 2X30             |
| 08 | 2X40             |
| 10 | 2X50             |
| 12 | 2X60             |
| 14 | 2X70             |
| 16 | 2X80             |
| 18 | 2X90             |
| 20 | 2X100            |

NOTE 10



| G | DATE CODE           |
|---|---------------------|
| / | NOT PRINT DATE CODE |
| P | PRINT DATE CODE     |

| E | PACKAGING                                |
|---|--|
| 0 | TUBE WITHOUT METAL CAP                   |
| 2 | T&R WITH METAL CAP                       |
| 9 | TUBE WITH METAL CAP                      |
| 6 | T&R WITHOUT METAL CAP (WITH KAPTON TAPE) |
| 7 | T&R WITH PLASTIC CAP                     |

NOTE 10  
NOTE 10  
NOTE 11  
NOTE 10

| D | FEATURE | HOLD DOWN |
|---|---------|-----------|
| 0 | YES     | NO        |
| 2 | NO      | NO        |

NOTE:

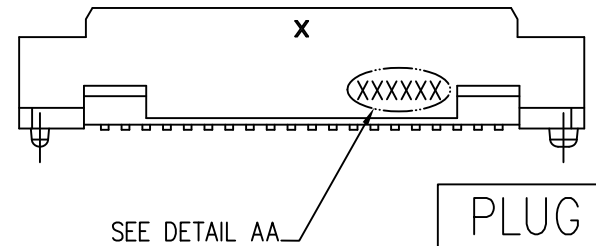
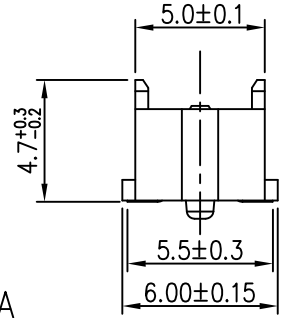
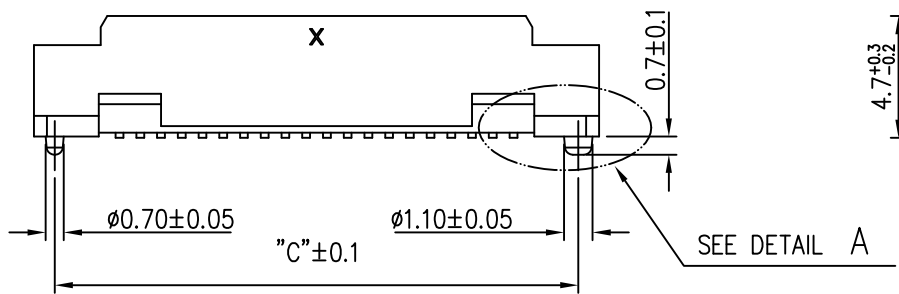
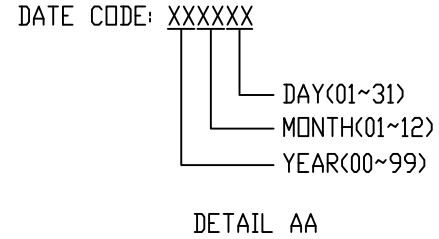
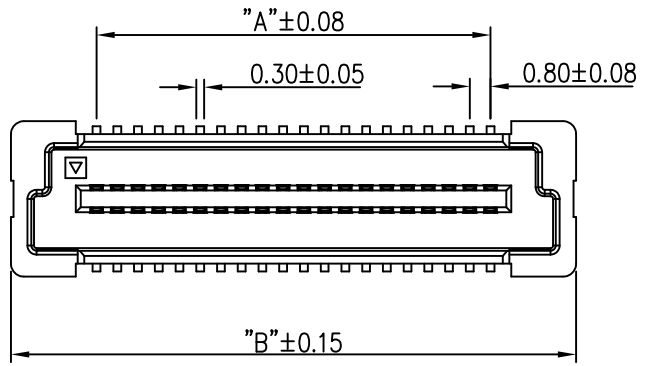
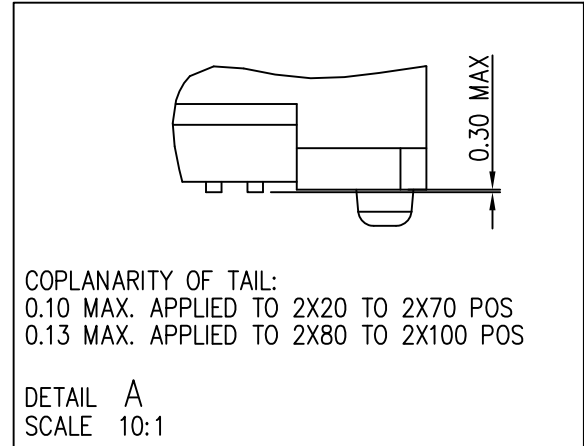
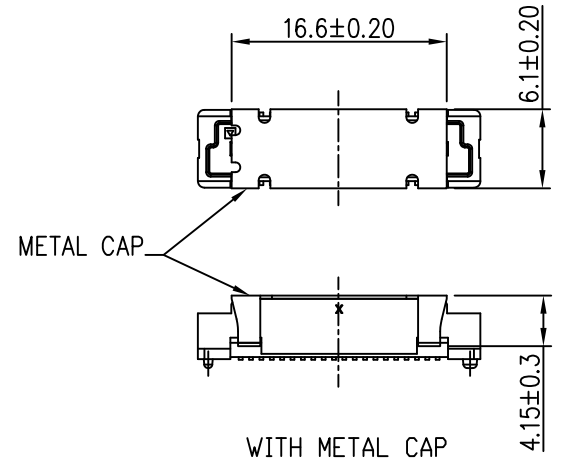
- MATERIAL:  
HOUSING: G.F. LCP, UL94-V0  
TERMINAL: BRASS
- PLATING: AS SHOWN IN TABLE.
- SEE GS-12-547 FOR PRODUCT SPEC.
- PACKAGING OPTION 2: NOT ALL SIZES ARE AVAILABLE. CHECK WITH FACTORY.
- THIS PRODUCT MEETS THE EUROPEAN UNION DIRECTIVES AND OTHER COUNTRY REGULATIONS AS DESCRIBED IN GS-22-008.
- THE HOUSING WILL WITHSTAND EXPOSURE UP TO 260 PEAK TEMPERATURE FOR 30 SECONDS IN A CONVECTION, INFRA-RED OR VAPOR PHASE REFLOW OVEN.
- PLATING OPTION "4" IS LEADFREE ALTERNATIVE FOR OPTION "0", AND OPTION "6" IS LEADFREE ALTERNATIVE FOR OPTION "1".
- HIGH PRECISION COPLANARITY IS AVAILABLE FOR 2X80 TO 2X100 POS, ALL HEIGHTS. PLS REFER TO PRINT 10069525.
- THE P/N 61083-\*\*\*\*\* OR 61083-\*\*\*\*\*LF NOT PRINT DATE CODE.  
THE P/N 61083-\*\*\*\*\*P OR 61083-\*\*\*\*\*PLF NEED PRINT DATE CODE.
- POSITION 2X10 TYPE ONLY APPLY TO PLUG 1.  
PACKAGING WITH METAL CAP AND PLASTIC CAP DOES NOT APPLY TO 2X10 POSITION.
- KAPTON TAPE ONLY APPLY TO POSITION 2X10~2X20.

| C | PLATING: CONTACT AREA / SOLDER TAIL AREA  | FF   |
|---|---|------|
| 0 | GOLD 0.2um MIN. / TIN LEAD 2.5um MIN<br>NICKEL UNDERPLATE OVERALL 1.27um MIN  | NONE |
| 1 | GOLD FLASH (0.065um MIN) OVER<br>PALLADIUM-NICKEL 0.69um MIN / TIN LEAD 2.5um MIN<br>NICKEL UNDERPLATE OVERALL 1.27um.                          | NONE |
| 4 | GOLD 0.2um MIN / PURE MATT TIN 2.5um MIN<br>NICKEL UNDERPLATE OVERALL 1.27um. (LEAD FREE PLATING)   | LF   |
| 5 | GOLD 0.38um MIN / MATT PURE TIN 2.5um MIN<br>NICKEL UNDERPLATE OVERALL 1.27um MIN (LEAD FREE PLATING)   | LF   |
| 6 | GOLD FLASH (0.065um MIN) OVER PALLADIUM-NICKEL<br>0.69um MIN / PURE MATT TIN 2.5um MIN<br>NICKEL UNDERPLATE OVERALL 1.27um. (LEAD FREE PLATING) | LF   |
| 9 | GOLD 0.2um MIN / GOLD 0.05um MIN<br>NICKEL UNDERPLATE OVERALL 1.27um. (LEAD FREE PLATING)   | LF   |

|             |                |  |  |  |                                |
|-------------|----------------|--|--|--|--------------------------------|
| mat'l. code |                | surface ISO 1302 <input checked="" type="checkbox"/> | tolerance ISO 406 ISO 1101 <input checked="" type="checkbox"/> | projection <input checked="" type="checkbox"/> | product family BERGSTAK HPL545 |
| ltr         | ecn no         | dr   | date   | tolerances unless otherwise specified          | title                          |
| AG          |                | GM   | 10/19/16   | angles linear .0±.2                            | BERGSTAK 0.8MM PLUG ASSY       |
| AH          | ELX-N-25161    | Bob  | 10/19/16   | 0°±x° .00±.15                                  |                                |
|             |                |  |  | scale 1:1                                      |                                |
|             |                | dr   | GuoMin Sun   | 10/21/14                                       | dwg no                         |
|             |                | engr   | Bob Gu   | 10/19/14                                       | sheet 1 of 6                   |
|             |                | chr  | ZK Hu  | 10/19/16                                       | size                           |
|             |                | appd   | Tim Yao  | 10/19/16                                       | 61083                          |
| sheet index | revision sheet | AH   | 1~6  |  | type Product Customer Drawing  |

B  
C  
D  
AFCI  
© 2016  
Amphenol FCI

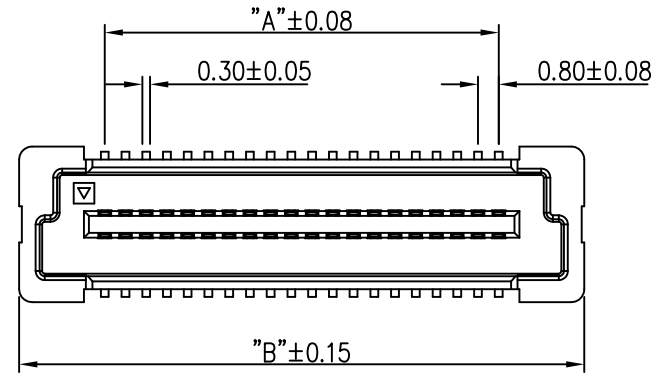
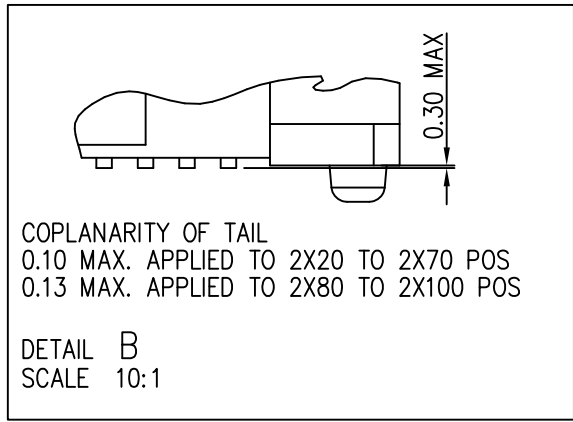
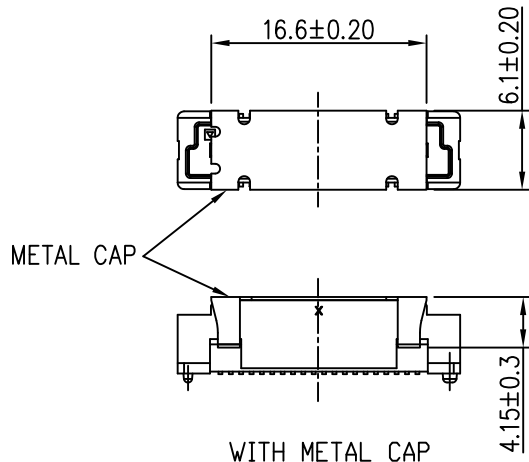
| PRODUCT NO.  | NO. OF POSITION | DIMENSION |      |      |
|--------------|-----------------|-----------|------|------|
|              |                 | A         | B    | C    |
| 61083-021*** | 2X10            | 7.2       | 13.8 | 12.2 |
| 61083-041*** | 2X20            | 15.2      | 21.8 | 20.2 |
| 61083-061*** | 2X30            | 23.2      | 29.8 | 28.2 |
| 61083-081*** | 2X40            | 31.2      | 37.8 | 36.2 |
| 61083-101*** | 2X50            | 39.2      | 45.8 | 44.2 |
| 61083-121*** | 2X60            | 47.2      | 53.8 | 52.2 |
| 61083-141*** | 2X70            | 55.2      | 61.8 | 60.2 |
| 61083-161*** | 2X80            | 63.2      | 69.8 | 68.2 |
| 61083-181*** | 2X90            | 71.2      | 77.8 | 76.2 |
| 61083-201*** | 2X100           | 79.2      | 85.8 | 84.2 |



|             |  |                  |  |                   |  |                     |  |                                |  |
|-------------|--|------------------|--|-------------------|--|---------------------|--|--------------------------------|--|
| mat'l. code |  | surface ISO 1302 |  | tolerance ISO 406 |  | projection ISO 1101 |  | product family BERGSTAK HPL545 |  |
| ltr         |  | ecn no           |  | dr                |  | date                |  | title BERGSTAK 0.8MM PLUG ASSY |  |
|             |  |                  |  | angles linear     |  | mm                  |  | scale 1:1                      |  |
|             |  |                  |  | 0°±'              |  | .0±.2               |  | dwg no 61083                   |  |
|             |  |                  |  | dr GuoMin Sun     |  | 10/21/14            |  | sheet 2 of 6                   |  |
|             |  |                  |  | engr Bob Gu       |  | 10/19/14            |  | size A3                        |  |
|             |  |                  |  | chr ZK Hu         |  | 10/19/16            |  | type Product Customer Drawing  |  |
|             |  |                  |  | appd Tim Yao      |  | 10/19/16            |  |                                |  |
| sheet index |  | revision sheet   |  |                   |  |                     |  |                                |  |

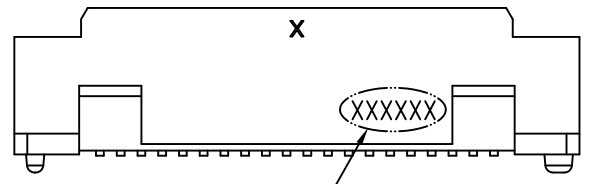
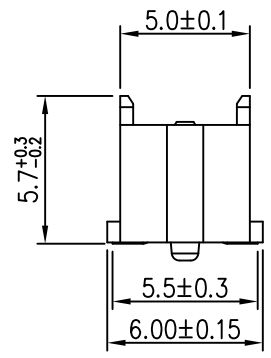
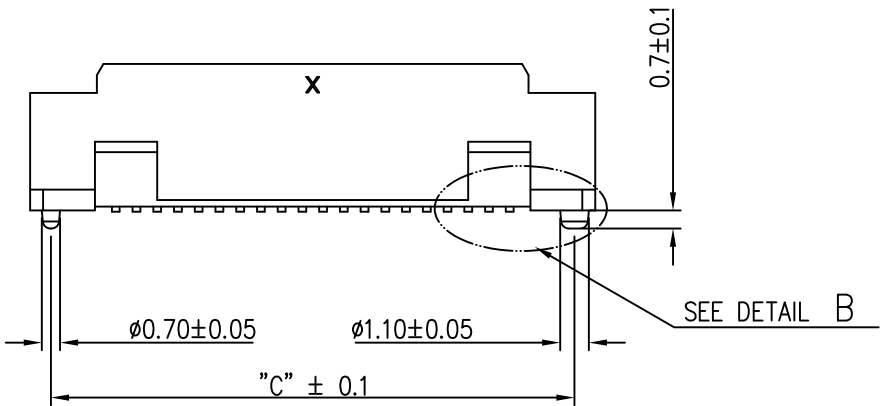
Amphenol FCI  
 © 2016 AFCE  
 form: A3-2016-02-24

| PRODUCT NO.  | NO. OF POSITION | DIMENSION |      |      |
|--------------|-----------------|-----------|------|------|
|              |                 | A         | B    | C    |
| 61083-042*** | 2X20            | 15.2      | 21.8 | 20.2 |
| 61083-062*** | 2X30            | 23.2      | 29.8 | 28.2 |
| 61083-082*** | 2X40            | 31.2      | 37.8 | 36.2 |
| 61083-102*** | 2X50            | 39.2      | 45.8 | 44.2 |
| 61083-122*** | 2X60            | 47.2      | 53.8 | 52.2 |
| 61083-142*** | 2X70            | 55.2      | 61.8 | 60.2 |
| 61083-162*** | 2X80            | 63.2      | 69.8 | 68.2 |
| 61083-182*** | 2X90            | 71.2      | 77.8 | 76.2 |
| 61083-202*** | 2X100           | 79.2      | 85.8 | 84.2 |



DATE CODE: XXXXXX  
 DAY(01~31)  
 MONTH(01~12)  
 YEAR(00~99)

DETAIL BB

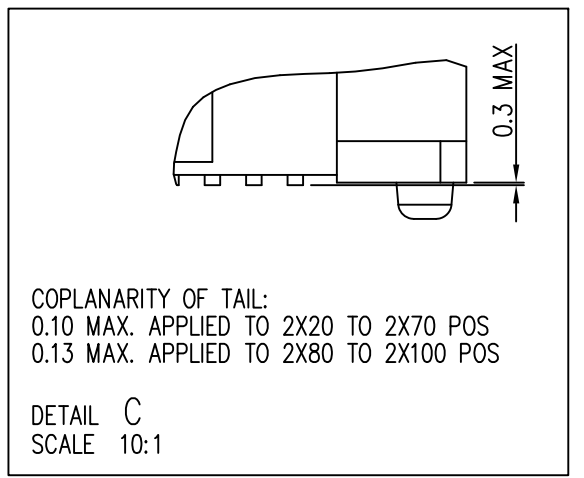
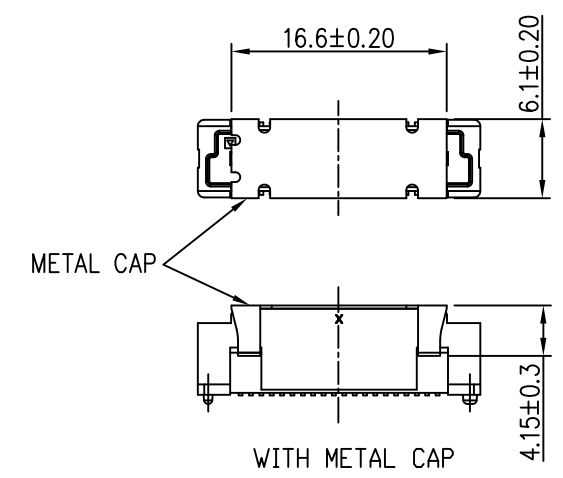
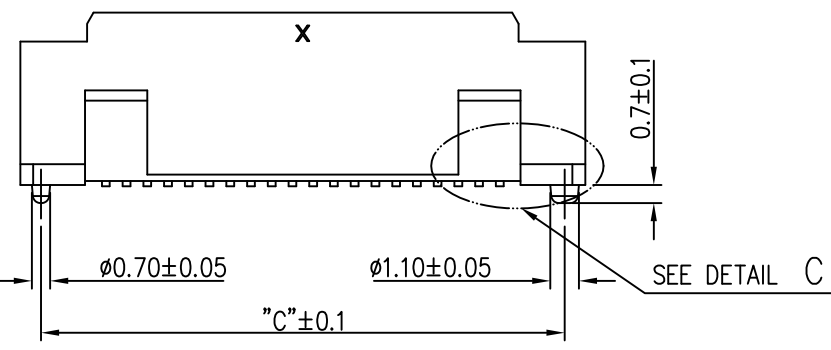
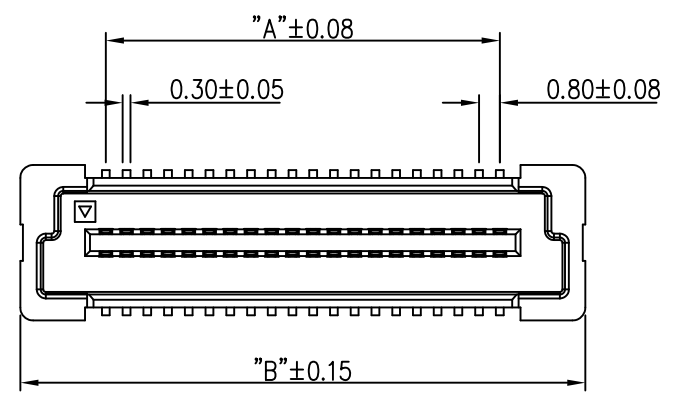


SEE DETAIL BB

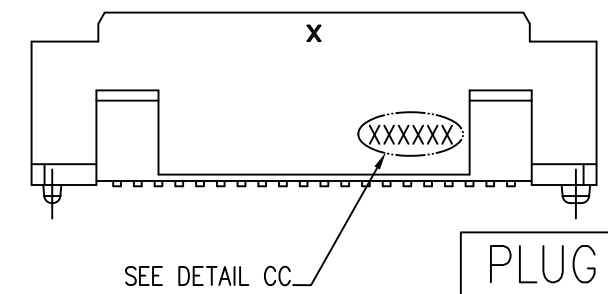
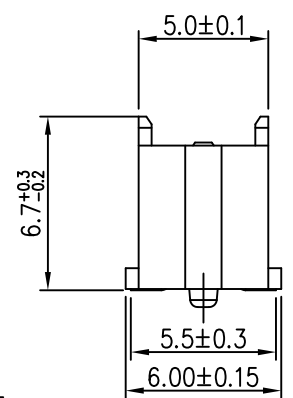
PLUG 2

|             |                  |                   |                     |                |                               |  |
|-------------|------------------|-------------------|---------------------|----------------|-------------------------------|--|
| mat'l. code | surface ISO 1302 | tolerance ISO 406 | projection ISO 1101 | product family | BERGSTAK HPL545               |  |
| ltr         | ecn              | no                | dr                  | date           | title                         |  |
|             |                  |                   |                     |                | BERGSTAK 0.8MM PLUG ASSY      |  |
|             |                  |                   |                     |                | scale 1:1                     |  |
|             |                  |                   |                     |                | dwg no sheet 3 of 6 size      |  |
|             |                  |                   |                     |                | 61083 A3                      |  |
|             |                  |                   |                     |                | type Product Customer Drawing |  |
| sheet index | revision sheet   |                   |                     |                |                               |  |

| PRODUCT NO.  | NO. OF POSITION | DIMENSION |      |      |
|--------------|-----------------|-----------|------|------|
|              |                 | A         | B    | C    |
| 61083-043*** | 2X20            | 15.2      | 21.8 | 20.2 |
| 61083-063*** | 2X30            | 23.2      | 29.8 | 28.2 |
| 61083-083*** | 2X40            | 31.2      | 37.8 | 36.2 |
| 61083-103*** | 2X50            | 39.2      | 45.8 | 44.2 |
| 61083-123*** | 2X60            | 47.2      | 53.8 | 52.2 |
| 61083-143*** | 2X70            | 55.2      | 61.8 | 60.2 |
| 61083-163*** | 2X80            | 63.2      | 69.8 | 68.2 |
| 61083-183*** | 2X90            | 71.2      | 77.8 | 76.2 |
| 61083-203*** | 2X100           | 79.2      | 85.8 | 84.2 |



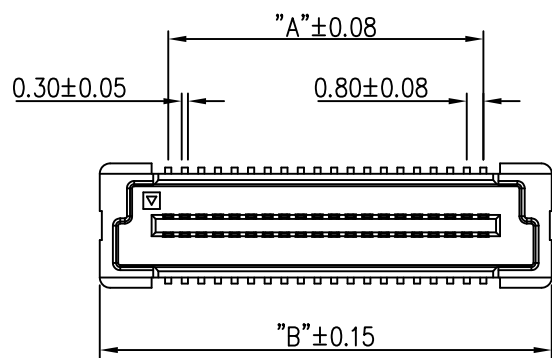
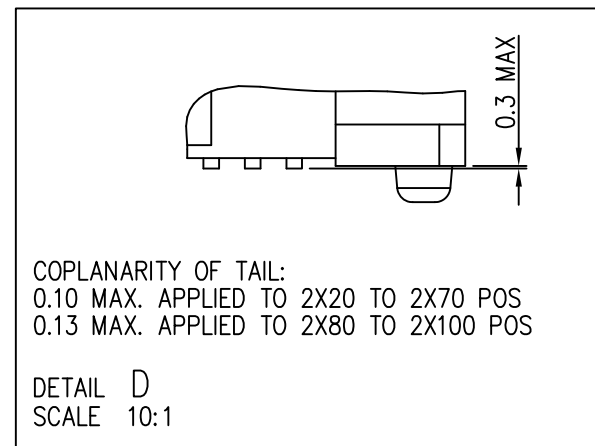
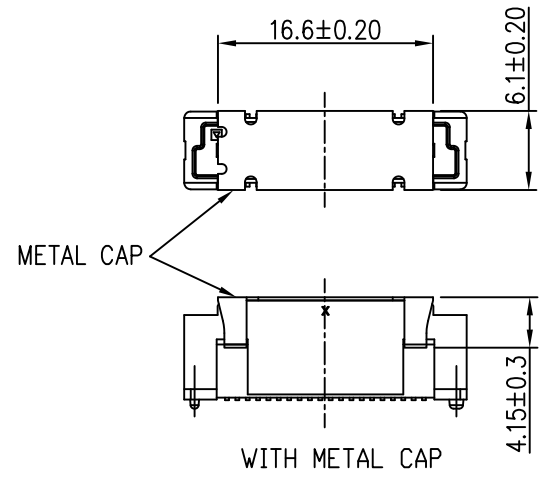
DATE CODE: XXXXXX  
 DAY(01~31)  
 MONTH(01~12)  
 YEAR(00~99)



|             |                |            |                 |                          |
|-------------|----------------|------------|-----------------|--------------------------|
| mat'l. code | surface        | tolerance  | projection      | product family           |
| ISO 1302    | ISO 406        | ISO 1101   | BERGSTAK HPL545 |                          |
| ltr         | ecn no         | dr         | date            | title                    |
|             |                |            |                 | BERGSTAK 0.8MM PLUG ASSY |
|             |                |            |                 | angles                   |
|             |                |            |                 | linear                   |
|             |                |            |                 | 0°±'                     |
|             |                |            |                 | mm                       |
|             |                |            |                 | scale 1:1                |
|             | dr             | GuoMin Sun | 10/21/14        | dwg no                   |
|             | engr           | Bob Gu     | 10/19/14        | sheet 4 of 6             |
|             | chr            | ZK Hu      | 10/19/16        | size                     |
|             | appd           | Tim Yao    | 10/19/16        | A3                       |
| sheet index | revision sheet |            |                 | type                     |
|             |                |            |                 | Product Customer Drawing |

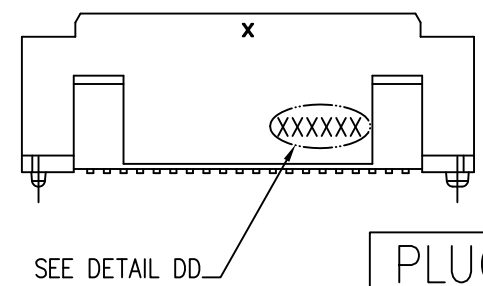
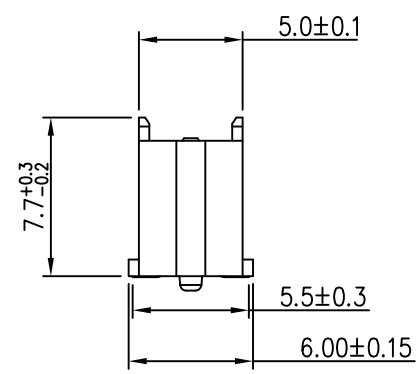
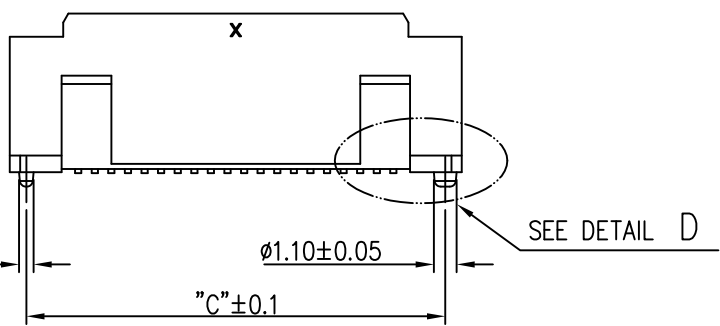
Amphenol FCI  
 © 2016 AFCE  
 2016 AFCE

| PRODUCT NO.  | NO. OF POSITION | DIMENSION |      |      |
|--------------|-----------------|-----------|------|------|
|              |                 | A         | B    | C    |
| 61083-044*** | 2X20            | 15.2      | 21.8 | 20.2 |
| 61083-064*** | 2X30            | 23.2      | 29.8 | 28.2 |
| 61083-084*** | 2X40            | 31.2      | 37.8 | 36.2 |
| 61083-104*** | 2X50            | 39.2      | 45.8 | 44.2 |
| 61083-124*** | 2X60            | 47.2      | 53.8 | 52.2 |
| 61083-144*** | 2X70            | 55.2      | 61.8 | 60.2 |
| 61083-164*** | 2X80            | 63.2      | 69.8 | 68.2 |
| 61083-184*** | 2X90            | 71.2      | 77.8 | 76.2 |
| 61083-204*** | 2X100           | 79.2      | 85.8 | 84.2 |



DATE CODE: XXXXXX  
 DAY(01~31)  
 MONTH(01~12)  
 YEAR(00~99)

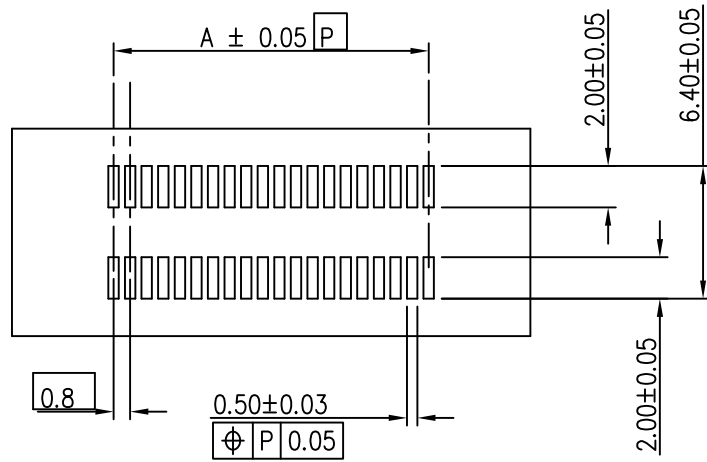
DETAIL DD



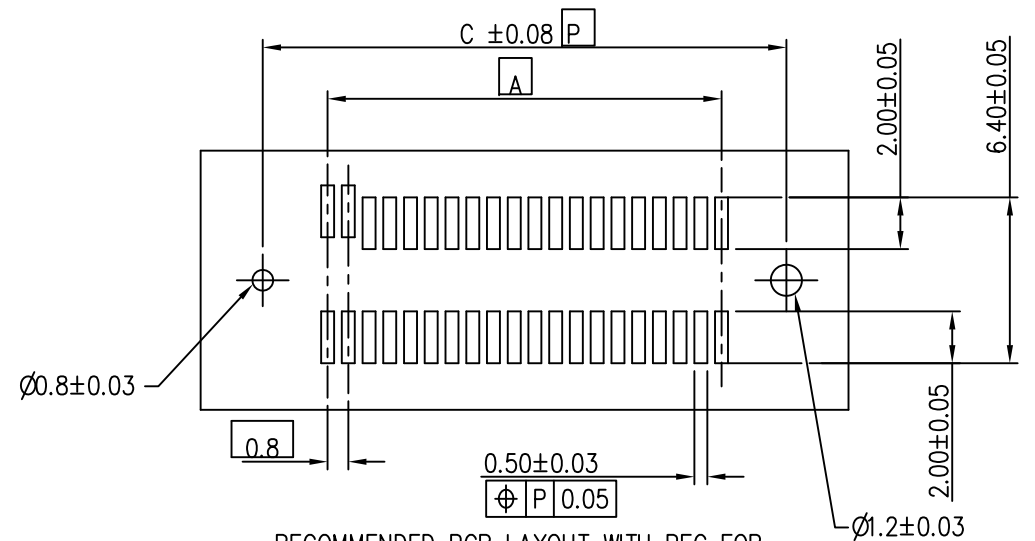
PLUG 4

|             |                    |                            |                     |                                |
|-------------|--------------------|----------------------------|---------------------|--------------------------------|
| mat'l. code | surface ISO 1302 ✓ | tolerance ISO 406 ISO 1101 | projection 1101     | product family BERGSTAK HPL545 |
| ltr         | ecn no             | dr                         | date                | title BERGSTAK 0.8MM PLUG ASSY |
|             |                    |                            |                     | angles .0±.2                   |
|             |                    |                            |                     | linear .00±.15                 |
|             |                    |                            |                     | 0°±' .000±.10                  |
|             |                    | dr                         | GuoMin Sun 10/21/14 | scale 1:1                      |
|             |                    | engr                       | Bob Gu 10/19/14     | Amphenol FCI                   |
|             |                    | chr                        | ZK Hu 10/19/16      | dwg no 61083                   |
|             |                    | appd                       | Tim Yao 10/19/16    | sheet 5 of 6                   |
| sheet index | revision sheet     |                            |                     | size A3                        |
|             |                    |                            |                     | type Product Customer Drawing  |

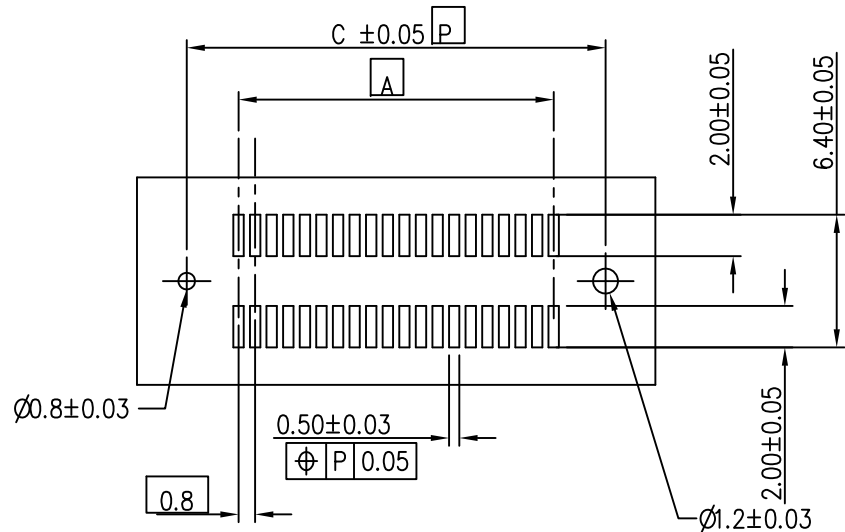
FOR PLUG 1/2/3/4



RECOMMENDED PCB LAYOUT WITHOUT PEG AND HOLDDOWN FOR NO. OF POS 2X20, 2X30, 2X40, 2X50 2X60



RECOMMENDED PCB LAYOUT WITH PEG FOR NO. OF POS 2X70, 2X80, 2X90, 2X100



RECOMMENDED PCB LAYOUT WITH PEG FOR NO. OF POS 2X20, 2X30, 2X40, 2X50 2X60

|             |  |                |  |           |  |            |  |                          |  |
|-------------|--|----------------|--|-----------|--|------------|--|--------------------------|--|
| mat'l. code |  | surface        |  | tolerance |  | projection |  | product family           |  |
|             |  | ISO 1302       |  | ISO 406   |  | ISO 1101   |  | BERGSTAK HPL545          |  |
| ltr         |  | ecn no         |  | dr        |  | date       |  | title                    |  |
|             |  |                |  |           |  |            |  | BERGSTAK 0.8MM PLUG ASSY |  |
|             |  | angles         |  | linear    |  | mm         |  | type                     |  |
|             |  | 0°±x'          |  | .0±.2     |  | scale 1:1  |  | Product Customer Drawing |  |
|             |  | dr             |  | engr      |  | chr        |  | appd                     |  |
|             |  | GuoMin Sun     |  | Bob Gu    |  | ZK Hu      |  | Tim Yao                  |  |
|             |  | 10/21/14       |  | 10/19/14  |  | 10/19/16   |  | 10/19/16                 |  |
| sheet index |  | revision sheet |  |           |  |            |  |                          |  |
|             |  |                |  |           |  |            |  |                          |  |

Amphenol FCI  
© 2016 AFCI