

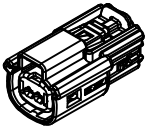
TABLE OF CONTENTS	
SHEET NO.	SHEET DESCRIPTION
1	NOTES AND BOM
2	CONFIGURATIONS
3-4	KEY CONFIGURATIONS
5	RECEPTACLE CONNECTOR ASSEMBLY
6	BACKSHELL NOTES
7	BACKSHELL
8	BACKSHELL CONFIGURATIONS

NOTES: VALID UNLESS OTHERWISE SPECIFIED

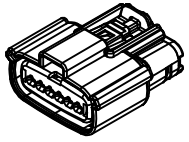
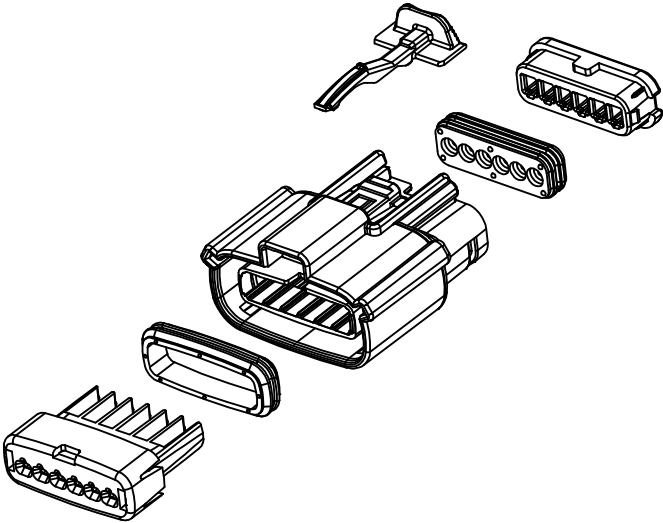
1. GENERAL:
- a. APPLICATION SPECIFICATION SEE: AS-33472-100  
 -CONTAINS: PRODUCT INTRODUCTION, PRODUCT SUMMARY, CONNECTOR ASSEMBLY, PACKAGING INFORMATION, CONNECTOR MATING, SERVICE INSTRUCTIONS, ELECTRICAL CONTINUITY CHECKING, CRIMPING, AND TROUBLESHOOTING.  
 -DESIGNED TO MATE WITH DEVICE OR CONNECTOR AS SPECIFIED IN THE MATING INTERFACE/CONNECTOR DRAWINGS CHART.  
 \*DENOTES DRAWINGS THAT CAN BE ACCESSED AT <http://ewcap.uscarteams.org/>.  
 -ASSEMBLY SHIPPED WITH PLR IN PRE-LOCK POSITION (SEE PLR PRE-LOCK VIEW SHEET 5).
- b. PRODUCT SPECIFICATION SEE:  
 -STANDARD CONFIGURATION: PS-33471-000  
 -UL V0 CONFIGURATION: PS-160105-0001  
 CONTAINS: PRODUCT INTRODUCTION, PRODUCT SUMMARY, RATINGS (CURRENT, TEMPERATURE, SEALING, AND FLAMMABILITY), TERMINALS, WIRE DIAMETER RANGE, PRODUCT VALIDATION, AND PRODUCT DEVIATIONS.
- c. PACKAGING SPECIFICATION PER MOLEX DRAWING; SEE PACKAGING CHART
- d. PARTS MUST BE IN COMPLIANCE TO MOLEX CHEMICAL SUBSTANCES FOR PRODUCTS AND PACKAGING SPECIFICATION: OEHS-699000-301
- e. DATA MUST BE SUBMITTED UNDER THE MOLEX PART NUMBER TO IMDS (COMPANY ID#13255)
2. DESIGN - MATERIALS:
- a. FOR BILL OF MATERIALS SEE:  
 -STANDARD CONFIGURATION SD-33471-0002  
 -UL V0 CONFIGURATION SD-160105-0002
3. DESIGN - GEOMETRY:
- a. THE 3-D CAD DATA IS BASIC (WITHOUT TOLERANCE) AND MASTER FOR THIS PART WITH THE EXCEPTION OF UNDERLINED DIMENSIONS. DIMENSIONAL INFORMATION NOT SHOWN ON THIS DRAWING IS DEFINED BY THE DATA FILE AT ITS LATEST REVISION.
- b. GEOMETRIC DIMENSIONS AND TOLERANCES PER ASME Y14.5M-2009
- c. EDGES AND UNDIMENSIONED DETAILS PER ISO13715
- d. CORNERS SHOWN AS SHARP TO BE R 0.2 MAX.
- e. LETTERING SHALL BE 0.15 MAX RAISED IN 0.25 MAX RECESS PAD. THIS INCLUDES RECYCLING CODE, CAVITY ID, VENDOR IDENTIFICATION, AND CUSTOMER MATERIAL NUMBER.
- f. VISUAL DEFECTS SHALL MEET COSMETIC STANDARD PS-45499-002 (Class B).
- g. LASER MARKING:  
 1. PART NUMBER  
 2. DAY OF THE YEAR  
 3. SHIFT  
 4. YEAR  
 FOR ADDITIONAL INFORMATION SEE SECTION 5 UNDER PROCEDURES IN ES-34735-008.

PACKAGING	
DESCRIPTION	DRAWING NO.
1X2	PK-31300-635
1X6	PK-31300-903

MATING INTERFACE/CONNECTOR DRAWINGS		
DESCRIPTION	INTERFACE DEFINITION	MOLEX INLINE
1X2	*150-S-002-1-Z05	SD-33481-0001
1X6	*150-S-006-1-Z03	SD-33481-0001



1x2



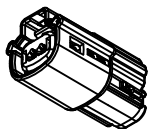
1x6

INSPECTION NUMBER LOG	2	UPDATE VIEWSETS
LAST NUMBER: 11	1	INITIAL RELEASE
ADDED: 11		
REMOVED:		

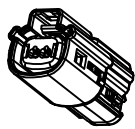
ENTER DESCRIPTION EEC NO: UAU2016-1641 DRWN:BTANG 2016/05/10 CHKD: APPR:KDEKOSKI 2016/06/14	QUALITY SYMBOLS	GENERAL TOLERANCES (UNLESS SPECIFIED)	DIMENSION STYLE <b>MM ONLY</b>	DRAWN BY DATE	TITLE
	▽=0	4 PLACES ± --- ± ---	m/m INCH	APPROFIT T 2015/11/04	MX150 RCPT SINGLE ROW SEALED ASSY MAT SEAL <b>molex</b> DOCUMENT NO. SD-33471-0001 SHEET NO. 1 OF 8
	▽=0	3 PLACES ± --- ± ---		CHECKED BY DATE	
	▽=0	2 PLACES ± 0.10 ± ---		APPROVED BY DATE	
▽=0	1 PLACE ± 0.2 ± ---		KDEKOSKI 2016/06/14		
		0 PLACE ± --- ± ---		MATERIAL NO.	
		ANGULAR ± 1 °		SEE NOTE 2a.	
		DRAFT WHERE APPLICABLE MUST REMAIN WITHIN DIMENSIONS		THIS DRAWING CONTAINS INFORMATION THAT IS PROPRIETARY TO MOLEX AND SHOULD NOT BE USED WITHOUT WRITTEN PERMISSION	

**SHEET DESCRIPTION**

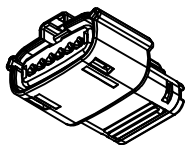
CONFIGURATIONS



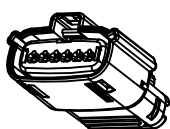
1x2 - STD



1x2 - UL V0\*



1x6 - STD



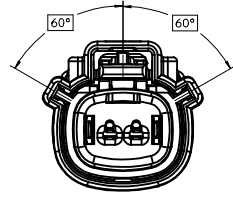
1x6 - UL V0\*

\*MINOR GEOMETRY DIFFERENCE THAN STANDARD CONFIGURATION  
SEE NOTES 1 & 2 FOR MORE INFORMATION

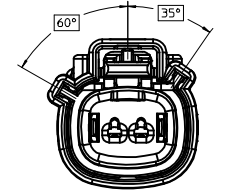
<b>ENTER DESCRIPTION</b> EC NO: UAU2016-1641 DRAWN BY: DRW:NB/TANG CHKD: APPR:KDEKOSKI DATE: 2016/06/14 REV: A	QUALITY SYMBOLS ▽=0 ▽=0 ▽=0	GENERAL TOLERANCES (UNLESS SPECIFIED) mm INCH 4 PLACES ± --- ± --- 3 PLACES ± --- ± --- 2 PLACES ± 0.10 ± --- 1 PLACE ± 0.2 ± --- 0 PLACE ± --- ± --- ANGULAR ± 1 ° DRAFT WHERE APPLICABLE MUST REMAIN WITHIN DIMENSIONS	DIMENSION STYLE <b>MM ONLY</b> DRAWN BY: APROFF/ITT DATE: 2015/11/04 CHECKED BY: DATE: APPROVED BY: KDEKOSKI DATE: 2016/06/14 MATERIAL NO. SEE NOTE 2a. SIZE: 1 THIS DRAWING CONTAINS INFORMATION THAT IS PROPRIETARY TO MOLEX INCORPORATED AND SHOULD NOT BE USED WITHOUT WRITTEN PERMISSION	SCALE: 1.5:1 DESIGN UNITS: METRIC THIRD ANGLE PROJECTION	TITLE: MX150 RCPT SINGLE ROW SEALED ASSY MAT SEAL <b>molex</b> DOCUMENT NO. SD-33471-0001 SHEET NO. 2 OF 8
---	--------------------------------------	--	--	--	---

**SHEET DESCRIPTION**  
KEY CONFIGURATIONS

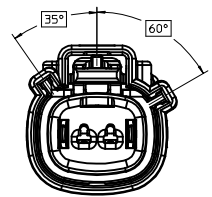
1X2



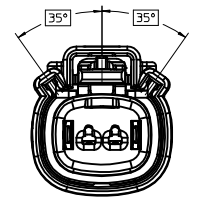
KEY A



KEY B



KEY C

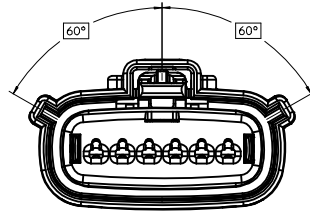


KEY D

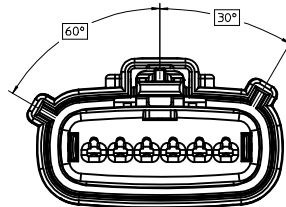
<b>ENTER DESCRIPTION</b> EEC NO: UAI2016-1641 DRW/NXB/TANG 2016/05/10 CHKD: APPR:KDEKOSKI 2016/06/14	QUALITY SYMBOLS ▽=0 ▽=0 ▽=0	GENERAL TOLERANCES (UNLESS SPECIFIED)		DIMENSION STYLE <b>MM ONLY</b>		SCALE <b>3:1</b>	DESIGN UNITS <b>METRIC</b>	THIRD ANGLE PROJECTION	
		mm	INCH	DRAWN BY APPROFIT	DATE 2015/11/04	TITLE <b>MX150 RCPT SINGLE ROW SEALED ASSY MAT SEAL</b>			
		4 PLACES ± --- ± ---		CHECKED BY	DATE	APPROVED BY KDEKOSKI			
		3 PLACES ± --- ± ---		APPROVED BY KDEKOSKI		DATE 2016/06/14	MATERIAL NO.		
2 PLACES ± 0.10 ± ---		DRAFT WHERE APPLICABLE MUST REMAIN WITHIN DIMENSIONS		SEE NOTE 2a.		DOCUMENT NO. <b>SD-33471-0001</b>		SHEET NO. 3 OF 8	
1 PLACE ± 0.2 ± ---		ANGULAR ± 1 °		THIS DRAWING CONTAINS INFORMATION THAT IS PROPRIETARY TO MOLEX INCORPORATED AND SHOULD NOT BE USED WITHOUT WRITTEN PERMISSION					
0 PLACE ± --- ± ---									

**SHEET DESCRIPTION**  
KEY CONFIGURATIONS CONT.

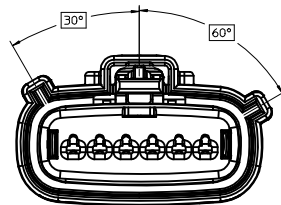
1X6



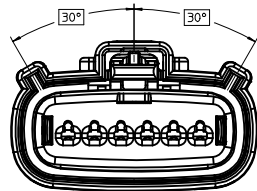
KEY A



KEY B



KEY C



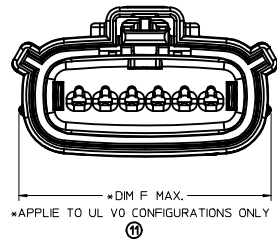
KEY D

<b>ENTER DESCRIPTION</b> EC NO: UAU2016-1641 DWN:ABTANG 2016/05/10 CHKD: APPR:KDEKOSKI 2016/06/14	QUALITY SYMBOLS ▽=0 ▽=0 ▽=0	GENERAL TOLERANCES (UNLESS SPECIFIED)		DIMENSION STYLE <b>MM ONLY</b>		SCALE <b>3:1</b>	DESIGN UNITS <b>METRIC</b>	THIRD ANGLE PROJECTION	
		4 PLACES ± --- ± --- 3 PLACES ± --- ± --- 2 PLACES ± 0.10 ± --- 1 PLACE ± 0.2 ± --- 0 PLACE ± --- ± ---	mm INCH	DRAWN BY APPROFFITT 2015/11/04	DATE	TITLE <b>MX150 RCPT SINGLE ROW SEALED ASSY MAT SEAL</b>	APPROVED BY KDEKOSKI 2016/06/14	DATE	MATERIAL NO.
ANGULAR ± 1 °		DRAFT WHERE APPLICABLE MUST REMAIN WITHIN DIMENSIONS		SEE NOTE 2a.		THIS DRAWING CONTAINS INFORMATION THAT IS PROPRIETARY TO MOLEX INCORPORATED AND SHOULD NOT BE USED WITHOUT WRITTEN PERMISSION			

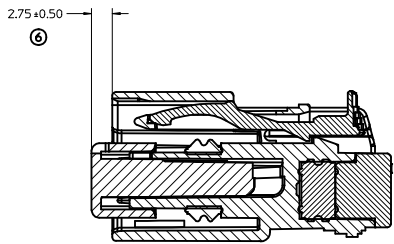
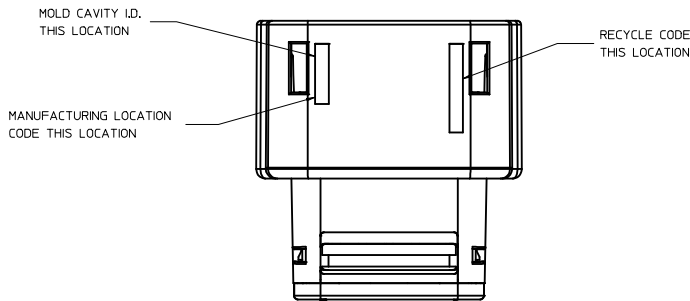
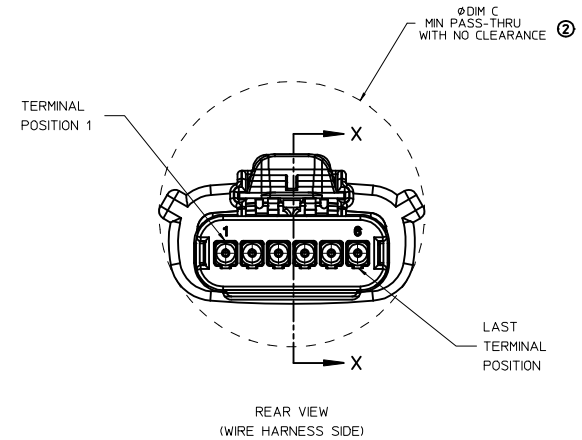
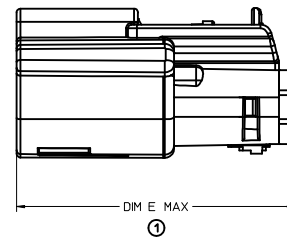
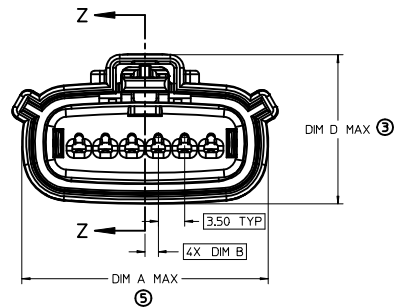
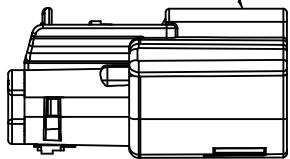
**SHEET DESCRIPTION**

RECEPTACLE CONNECTOR ASSEMBLY - STD

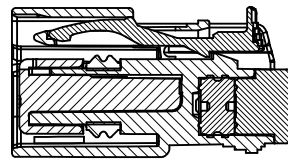
CHARTED DIMENSIONS						
DESCRIPTION	DIMENSIONS					
	A	B	C	D	E	F
1X2	19.40	1.75	21.73	20.55	37.65	19.64
1X6	32.75	1.75	35.21	19.90	37.65	N/A
1X6 UL V0	N/A	1.75	35.23	19.90	37.65	33.64



LASER MARKING ON THIS SURFACE  
SEE NOTE 3g.



PRIMARY LOCK REINFORCEMENT (PLR) SHOWN  
IN PRE-STAGED POSITION  
SECTION Z-Z



PRIMARY LOCK REINFORCEMENT (PLR) SHOWN  
IN FINAL-LOCK POSITION  
SECTION X-X

<b>ENTER DESCRIPTION</b> IEC NO: UAU2016-1641 DRYNABTANG 2016/05/10 CHYK: APPR:KDEKOSKI 2016/06/14	<b>QUALITY SYMBOLS</b> ∇=0 ∇=1 ∇=2 ∇=3	<b>GENERAL TOLERANCES (UNLESS SPECIFIED)</b>		<b>DIMENSION STYLE</b> MM ONLY		SCALE 3:1	DESIGN UNITS METRIC	THIRD ANGLE PROJECTION	
		4 PLACES ± --- ± ---	3 PLACES ± --- ± ---	2 PLACES ± 0.10 ± ---	1 PLACE ± 0.2 ± ---	0 PLACE ± --- ± ---	DRAWN BY APROFFITT DATE 2015/11/04	CHECKED BY DATE	TITLE MX150 RCPT SINGLE ROW SEALED ASSY MAT SEAL
		ANGULAR ± 1°		DRAFT WHERE APPLICABLE MUST REMAIN WITHIN DIMENSIONS		MATERIAL NO. SEE NOTE 2a.	APPROVED BY KDEKOSKI DATE 2016/06/14	DOCUMENT NO. SD-33471-0001	SHEET NO. 5 OF 8
		THIS DRAWING CONTAINS INFORMATION THAT IS PROPRIETARY TO MOLEX INCORPORATED AND SHOULD NOT BE USED WITHOUT WRITTEN PERMISSION							

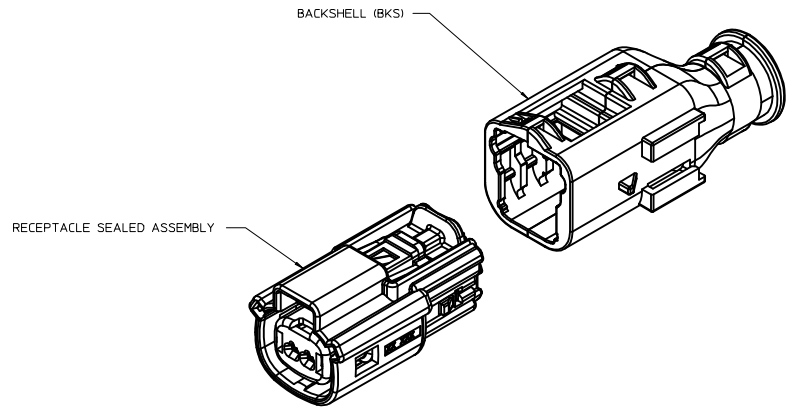
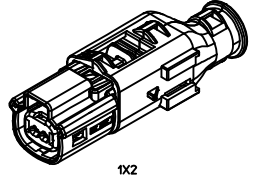
**SHEET DESCRIPTION**  
BACKSHELL NOTES

BACKSHELL NOTES: VALID UNLESS OTHERWISE SPECIFIED

1. GENERAL:  
 a. APPLICATION SPECIFICATION SEE: AS-34951-001  
 -DESIGNED TO MATE WITH RECEPTACLE SEALED ASSEMBLY SPECIFIED IN MOLEX DRAWING SD-33471-0001.  
 -SYSTEM TO BE USED WITH WIRE WITHIN DIAMETER RANGE OF 1.2mm TO 2.69mm.  
 -COMPONENTS ARE OPTIONAL AND MUST BE PURCHASED SEPERATELY.  
 -BACKSHELL DESIGN IS OWNED BY SCHLEMMER.  
 -FOR ADDITIONAL INFORMATION SEE THE BACKSHELL COMPONENT DRAWING SD-34949-0001.

BACKSHELL CUSTOMER MODEL NUMBER LEGEND

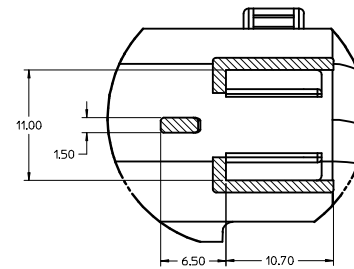
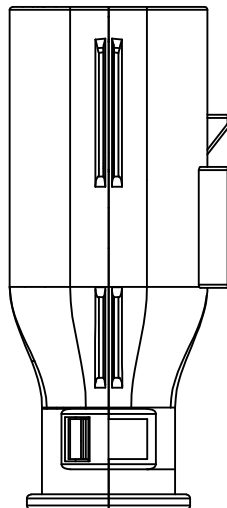
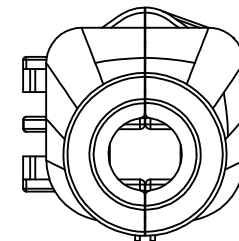
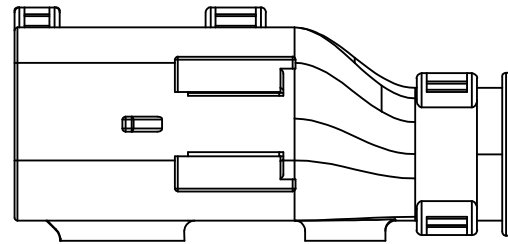
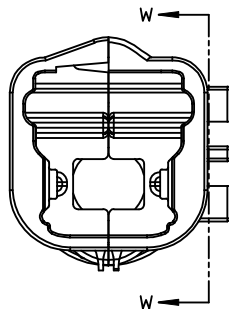
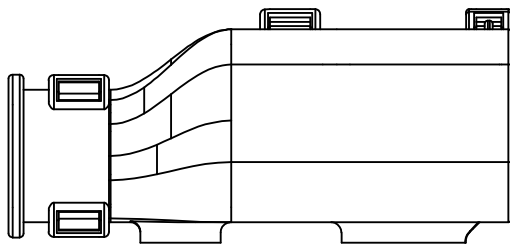
- 34949-XXXX
- CUSTOMER MODEL COMPONENTS
    - 0 - BACKSHELL ONLY
    - 1 - BACKSHELL & MX150 HOUSING KEY A ASSEMBLY
    - 2 - BACKSHELL & MX150 HOUSING KEY B ASSEMBLY
    - 3 - BACKSHELL & MX150 HOUSING KEY C ASSEMBLY
    - 4 - BACKSHELL & MX150 HOUSING KEY D ASSEMBLY
  - BACKSHELL FEATURES
    - 1 - WITH RIBS
    - 2 - WITHOUT RIBS
  - MX150 CIRCUIT SIZE 02, 03, 04, 05, 06



<b>ENTER DESCRIPTION</b> EC NO: UAUZ016-1641 DRWNR:BIANG 2016/05/10 CHKD: APPR:KDEKOSKI 2016/06/14 A	QUALITY SYMBOLS	GENERAL TOLERANCES (UNLESS SPECIFIED)	DIMENSION STYLE	SCALE	DESIGN UNITS	THIRD ANGLE PROJECTION
	∇=0 ∇=0 ∇=0	mm INCH 4 PLACES ± --- ± --- 3 PLACES ± --- ± --- 2 PLACES ± 0.10 ± --- 1 PLACE ± 0.2 ± --- 0 PLACE ± --- ± ---	MM ONLY DRAWN BY DATE APPROFF:TT 2015/11/04 CHECKED BY DATE APPROVED BY DATE KDEKOSKI 2016/06/14	4:1	METRIC	MX150 RCPT SINGLE ROW SEALED ASSY MAT SEAL <b>molex</b> SD-33471-0001
		ANGULAR ± 1 ° DRAFT WHERE APPLICABLE MUST REMAIN WITHIN DIMENSIONS	SEE NOTE 2a. MATERIAL NO.	DOCUMENT NO.	SHEET NO.	
		THIS DRAWING CONTAINS INFORMATION THAT IS PROPRIETARY TO MOLEX INCORPORATED AND SHOULD NOT BE USED WITHOUT WRITTEN PERMISSION				

**SHEET DESCRIPTION**

BACKSHELL

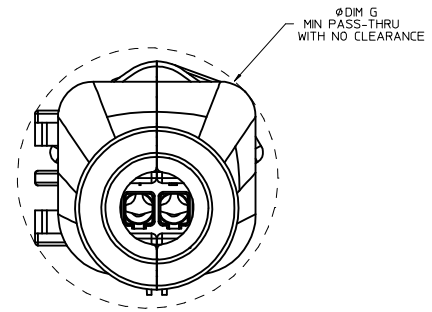
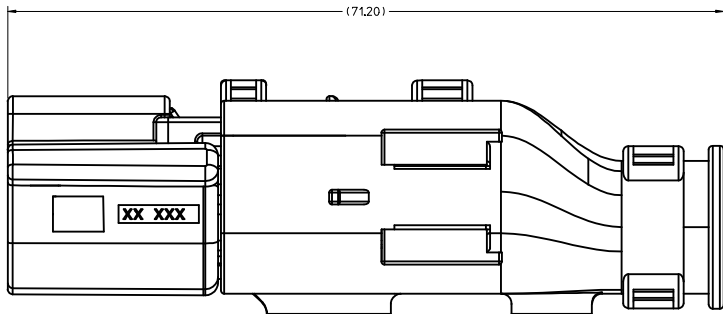


Partial W-W  
SCALE 4:1

<b>ENTER DESCRIPTION</b> EC NO: UA02016-1641 DRWN: BTANG 2016/05/10 CHKD: APPR: KDEKOSKI 2016/06/14	QUALITY SYMBOLS ∇=0 ∇=1 ∇=2 ∇=3	GENERAL TOLERANCES (UNLESS SPECIFIED) mm INCH 4 PLACES ± --- ± --- 3 PLACES ± --- ± --- 2 PLACES ± 0.10 ± --- 1 PLACE ± 0.2 ± --- 0 PLACE ± --- ± --- ANGULAR ± 1° DRAFT WHERE APPLICABLE MUST REMAIN WITHIN DIMENSIONS	DIMENSION STYLE <b>MM ONLY</b> DRAWN BY DATE APPROFIT 2015/11/04 CHECKED BY DATE APPROVED BY DATE KDEKOSKI 2016/06/14 MATERIAL NO. <b>SEE NOTE 2a.</b>	SCALE <b>4:1</b> DESIGN UNITS <b>METRIC</b> THIRD ANGLE PROJECTION	TITLE <b>MX150 RCPT                  SINGLE ROW SEALED ASSY                  MAT SEAL</b> <b>molex</b> DOCUMENT NO. <b>SD-33471-0001</b>	SHEET NO. <b>7 OF 8</b>	
	REV A	DESCRIPTION	THIS DRAWING CONTAINS INFORMATION THAT IS PROPRIETARY TO MOLEX INCORPORATED AND SHOULD NOT BE USED WITHOUT WRITTEN PERMISSION				

**SHEET DESCRIPTION**  
BACKSHELL CONFIGURATIONS

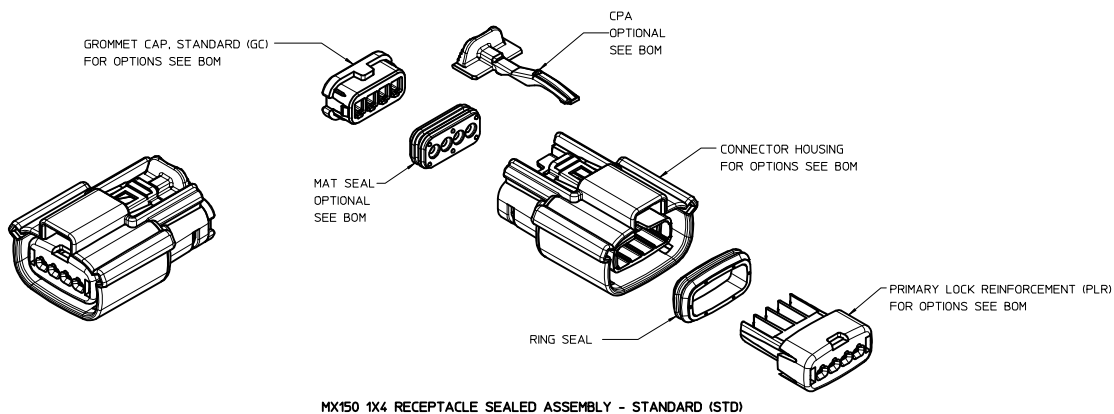
CHARTED DIMENSIONS	
DESCRIPTION	DIMENSIONS
1X2	G
	26.00



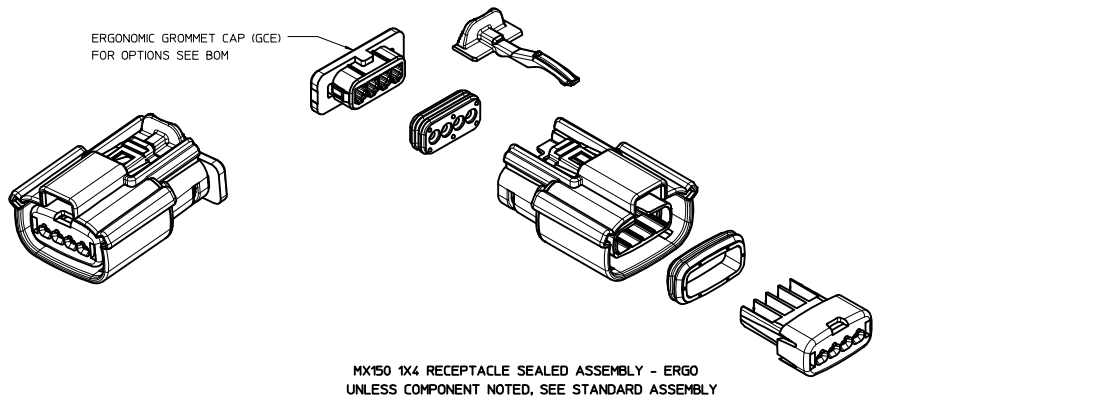
RECEPTACLE SEALED ASSEMBLY WITH RECEPTACLE BACKSHELL

<b>ENTER DESCRIPTION</b> EC NO: UAU2016-1641 DRWN: BTANG 2016/05/10 CHKD: A APPR: KDEKOSKI 2016/06/14 REV:	QUALITY SYMBOLS	GENERAL TOLERANCES (UNLESS SPECIFIED)	DIMENSION STYLE	SCALE	DESIGN UNITS	THIRD ANGLE PROJECTION
	▽=0	mm INCH	MM ONLY	4:1	METRIC	
	▽=0	4 PLACES ± --- ± ---	DRAWN BY DATE			
	▽=0	3 PLACES ± --- ± ---	APPROFF ITT DATE			
▽=0	2 PLACES ± 0.10 ± ---	CHECKED BY DATE				TITLE
▽=0	1 PLACE ± 0.2 ± ---	APPROVED BY DATE				MX150 RCPT SINGLE ROW SEALED ASSY MAT SEAL
	0 PLACE ± --- ± ---	KDEKOSKI 2016/06/14				<b>molex</b>
	ANGULAR ± 1 °	MATERIAL NO.	SEE NOTE 2a.			DOCUMENT NO. SD-33471-0001
	DRAFT WHERE APPLICABLE MUST REMAIN WITHIN DIMENSIONS	SIZE 1	THIS DRAWING CONTAINS INFORMATION THAT IS PROPRIETARY TO MOLEX INCORPORATED AND SHOULD NOT BE USED WITHOUT WRITTEN PERMISSION			
						SHEET NO. 8 OF 8

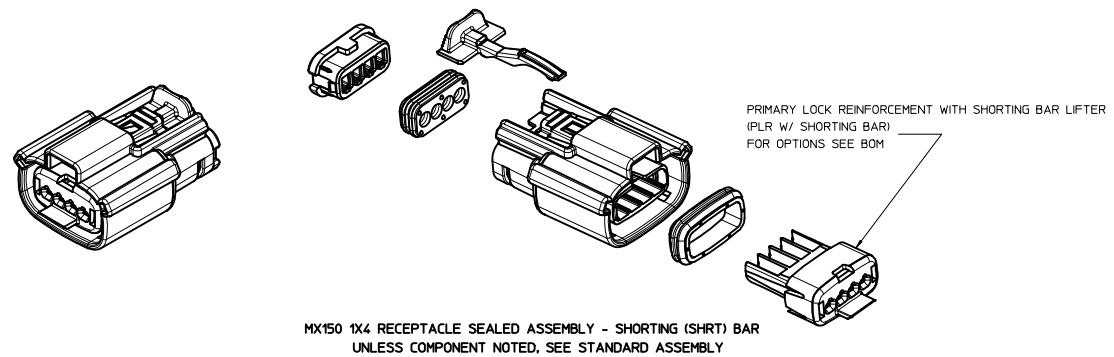




MX150 1X4 RECEPTACLE SEALED ASSEMBLY - STANDARD (STD)



MX150 1X4 RECEPTACLE SEALED ASSEMBLY - ERGO  
UNLESS COMPONENT NOTED, SEE STANDARD ASSEMBLY



MX150 1X4 RECEPTACLE SEALED ASSEMBLY - SHORTING (SHRT) BAR  
UNLESS COMPONENT NOTED, SEE STANDARD ASSEMBLY

TABLE OF CONTENTS	
SHEET NO.	SHEET DESCRIPTION
1	NOTES
2	KEY CONFIGURATIONS
3	RECEPTACLE SEALED ASSEMBLY
4-5	BOM

NOTES: VALID UNLESS OTHERWISE SPECIFIED

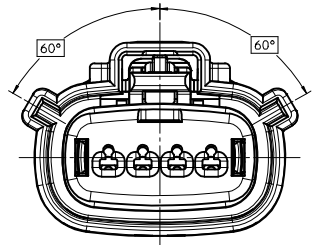
1. GENERAL:
  - a. APPLICATION SPECIFICATION SEE: AS-33472-100
    - CONTAINS: PRODUCT INTRODUCTION, PRODUCT SUMMARY, CONNECTOR ASSEMBLY, PACKAGING INFORMATION, CONNECTOR MATING, SERVICE INSTRUCTIONS, ELECTRICAL CONTINUITY CHECKING, CRIMPING, AND TROUBLESHOOTING.
    - STANDARD (NON-SHRT) CONFIGURATIONS DESIGNED TO MATE WITH DEVICE CONNECTION AS SPECIFIED IN DRAWING SD-33481-041 AND EWCAP 150-S-004-1-203, AVAILABLE AT <http://ewcap.uscarteams.org/>
    - SHORTING BAR CONFIGURATIONS DESIGNED TO MATE WITH BLADE SEALED ASSEMBLY SPECIFIED IN DRAWING SD-31280-200
    - FOR 1.5mm RECEPTACLE TERMINALS TO BE USED WITH THIS ASSEMBLY, SEE MOLEX DRAWING SD-33012-002.
    - SYSTEM TO BE USED WITH WIRE WITHIN DIAMETER RANGE OF 1.2mm TO 2.69mm.
    - ASSEMBLY SHIPPED WITH PLR AND CPA IN PRE-LOCK POSITION (SEE SECTION Z-Z PRE-LOCK).
    - IN THE EVENT THAT THE PLR IS FOUND IN THE SEATED (FINAL LOCK) POSITION, REFER TO MOLEX SPECIFICATION PS-34646-001, AVAILABLE AT [www.molex.com](http://www.molex.com) <<http://www.molex.com>>.
    - ASSEMBLY CONFORMS TO SAE/USCAR-2 REV 4 WITH THE FOLLOWING EXCEPTIONS: ENGAGEMENT FORCE TO MOVE CPA FROM PRE-LOCK TO FINAL LOCK POSITION WHEN UNMATED: 40N MIN, 40N MAX.
    - DISENGAGEMENT FORCE TO MOVE CPA FROM FINAL LOCK TO PRE-LOCK POSITION: 3N MIN, 40N MAX.
    - TERMINAL INSERTION FORCE FOR WIRE DIAMETER ABOVE 2.5mm AND NOT EXCEEDING 2.69mm SHALL NOT EXCEED 40 NEWTONS.
  - b. PRODUCT SPECIFICATION SEE: PS-33471-000
    - CONTAINS: PRODUCT INTRODUCTION, PRODUCT SUMMARY, RATINGS (CURRENT, TEMPERATURE, SEALING, AND FLAMMABILITY), AND PRODUCT VALIDATION.
  - c. PACKAGING SPECIFICATION PER MOLEX DRAWING: PK-31300-903
  - d. PARTS MUST BE IN COMPLIANCE TO MOLEX CHEMICAL SUBSTANCES FOR PRODUCTS AND PACKAGING SPECIFICATION: ES-0000-5016
  - e. DATA MUST BE SUBMITTED UNDER THE MOLEX PART NUMBER TO IMDS (COMPANY ID#13255)
2. DESIGN - MATERIALS:
  - a. SEE BOM TABLE
3. DESIGN - GEOMETRY:
  - a. THIS IS A 100% CAD GENERATED PART. THE CAD MATHEMATICAL DATA IS THE MASTER FOR THIS PART. FOR DIMENSIONAL OR ANY INFORMATION NOT SHOWN ON THIS DRAWING, ANALYZE THE CAD MODEL.
  - b. GEOMETRIC DIMENSIONS AND TOLERANCES PER ASME Y14.5M - 1994
  - c. EDGES AND UNDIMENSIONED DETAILS PER ISO13715
  - d. CORNERS SHOWN AS SHARP TO BE R 0.2 MAX.
  - e. LETTERING SHALL BE 0.15 MAX RAISED IN 0.25 MAX RECESS PAD, THIS INCLUDES RECYCLING CODE, CAVITY ID, VENDOR IDENTIFICATION, AND CUSTOMER MATERIAL NUMBER.
  - f. VISUAL DEFECTS SHALL MEET COSMETIC STANDARD PS-45499-002 (Class B)
  - g. LASER MARKING: TBD

INSPECTION NUMBER LOG  
LAST NUMBER USED: 5  
ADDED:  
REMOVED: 2

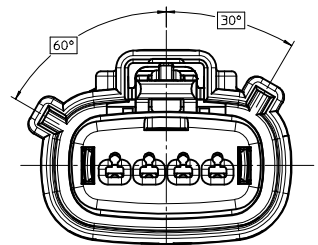
W2	ADD NEW P/N 33471-0494
W1	ADD NEW P/N 33471-0493
W	REMOVE THE 33471-0489 CPA
REV	DESCRIPTION

ENTER DESCRIPTION ELEC NO: UAU2017-0052 DRAWN BY: 2016/07/17 CHKD: 2016/07/17 APPR: JDENG02 W2	QUALITY SYMBOLS ∇=0 ∇=0 ∇=0	GENERAL TOLERANCES (UNLESS SPECIFIED) mm    INCH 4 PLACES ± .05    ± .0015 3 PLACES ± .10    ± .003 2 PLACES ± 0.10    ± .003 1 PLACE ± 0.3    ± .003 0 PLACE ±    ±	DIMENSION STYLE MM ONLY DRAWN BY: DATE DGRIFLITHS 2010/03/31 CHECKED BY: DATE MDICK 2011/08/11 APPROVED BY: DATE VKOSHY 2010/04/06	SCALE 2:1	DESIGN UNITS METRIC	THIRD ANGLE PROJECTION 	TITLE MX150 1X4 RECEPTACLE SEALED ASSEMBLY MAT SEAL	MATERIAL NO. SEE BOM	DOCUMENT NO. SD-33471-041	SHEET NO. 1 OF 6

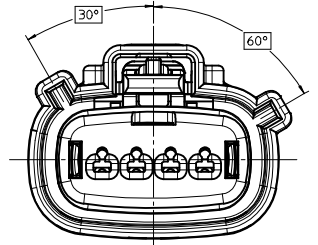
KEY CONFIGURATIONS



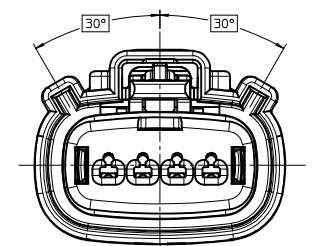
KEY A



KEY B



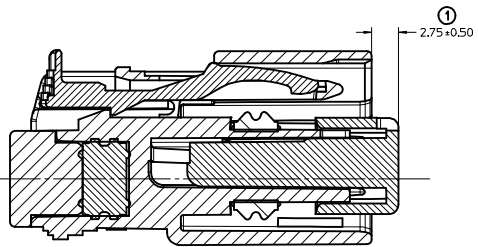
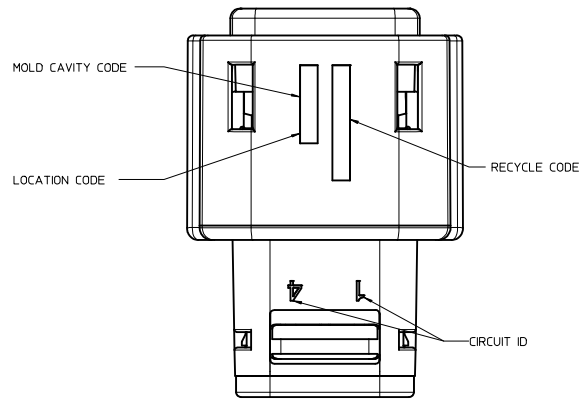
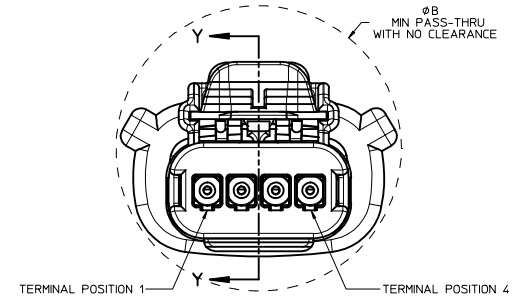
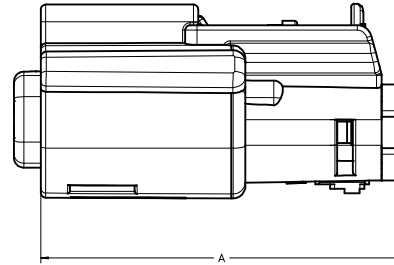
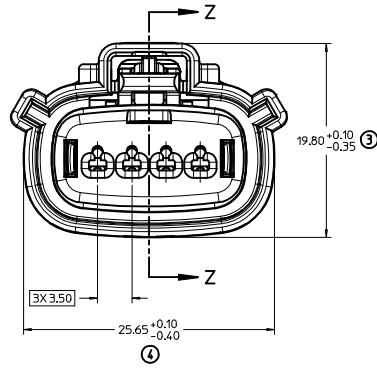
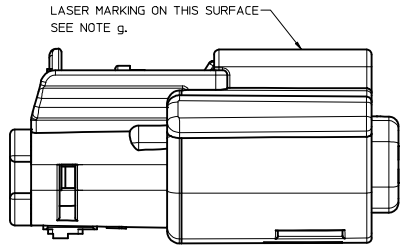
KEY C



KEY D

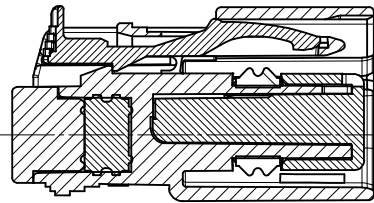
ENTER DESCRIPTION DEC NO: UAU2017-0052 DRAWN BY CHKD: APPR: JENGOZ REV: W2	DESCRIPTION 2016/07/22 2016/07/27	QUALITY SYMBOLS ▽=0 ▽=0 ▽=0	GENERAL TOLERANCES (UNLESS SPECIFIED) mm INCH 4 PLACES ±.000 ±.000 3 PLACES ±.005 ±.005 2 PLACES ±0.10 ±.005 1 PLACE ±0.3 ±.010 0 PLACE ± ±	DIMENSION STYLE MM ONLY	SCALE 4:1	DESIGN UNITS METRIC	THIRD ANGLE PROJECTION
		DRAWN BY DGRIFITHS	DATE 2010/03/31	TITLE MX150 1X4 RECEPTACLE SEALED ASSEMBLY MAT SEAL	MATERIAL NO. SEE BOM	DOCUMENT NO. SD-33471-041	SHEET NO. 2 OF 6
		CHECKED BY MDICK	DATE 2011/08/11	APPROVED BY VKOSHY	DATE 2010/04/06	THIS DRAWING CONTAINS INFORMATION THAT IS PROPRIETARY TO MOLEX INCORPORATED AND SHOULD NOT BE USED WITHOUT WRITTEN PERMISSION	
		DRAFT WHERE APPLICABLE MUST REMAIN WITHIN DIMENSIONS					

RECEPTACLE SEALED ASSEMBLY



PRIMARY LOCK REINFORCEMENT (PLR) SHOWN IN PRE-STAGED POSITION

SECTION Z-Z



PRIMARY LOCK REINFORCEMENT (PLR) SHOWN IN FINAL-LOCK POSITION

SECTION Y-Y

CHARTED DIMENSIONS		
CONFIGURATION	A	B
MX150 1X4 RECPT SEALED ASSY - STANDARD	36.95 ±0.70	29.14
MX150 1X4 RECPT SEALED ASSY - ERGO	36.95 ±0.90	29.33
MX150 1X4 RECPT SEALED ASSY - SHORTING (SHRT) BAR	36.95 ±0.70	29.14

ENTER DESCRIPTION EC NO: UAU2017-0052 DRAWN BY: CHKD: W2 2016/07/22 2016/07/27 APPR: IDEN02	QUALITY SYMBOLS	GENERAL TOLERANCES (UNLESS SPECIFIED)	DIMENSION STYLE	SCALE	DESIGN UNITS	THIRD ANGLE PROJECTION	
	∇=0 ∇=0 ∇=0	4 PLACES ± mm ± INCH 3 PLACES ± mm ± INCH 2 PLACES ± 0.10 ± INCH 1 PLACE ± 0.3 ± INCH 0 PLACE ± ± INCH	MM ONLY	4:1	METRIC	DRAWN BY: DGRIFITHS DATE: 2010/03/31 CHECKED BY: MDICK DATE: 2011/08/11 APPROVED BY: VKOSHY DATE: 2010/04/06	TITLE: MX150 1X4 RECEPTACLE SEALED ASSEMBLY MAT SEAL MATERIAL NO. SEE BOM DOCUMENT NO. SD-33471-041
	DRAFT WHERE APPLICABLE MUST REMAIN WITHIN DIMENSIONS		ANGULAR ± 3 °	SIZE D	SHEET NO. 3 OF 6 THIS DRAWING CONTAINS INFORMATION THAT IS PROPRIETARY TO MOLEX INCORPORATED AND SHOULD NOT BE USED WITHOUT WRITTEN PERMISSION		

ASSEMBLY DESCRIPTION	ASSEMBLY PART NUMBER	A	B	C	D	C	D	GCO	GCP	GCEO	GCEP	P	PS	M	CPA	1	2	3	4	STATUS	COMMENTS
VOID KEY	33471-0440																				
KEY D W/ SHRT. BAR, GREEN	33471-0439				D			GCO					PS	M						NOT RECOMMENDED	SEE P/N 33471-0481
KEY C W/ SHRT. BAR, BROWN	33471-0438			C				GCO					PS	M						NOT RECOMMENDED	SEE P/N 33471-0480
KEY B W/ SHRT. BAR, LT. GRAY	33471-0437			B				GCO					PS	M							
KEY A W/ SHRT. BAR, BLACK	33471-0436	A						GCO					PS	M						SALEABLE	
VOID KEY	33471-0435																				
KEY D W/O MAT SEAL, GREEN	33471-0434				D			GCO				P								NOT RECOMMENDED	SEE P/N 33471-0479
KEY C W/O MAT SEAL, BROWN	33471-0433				C			GCO				P								NOT RECOMMENDED	SEE P/N 33471-0478
KEY B W/O MAT SEAL, LT. GRAY	33471-0432			B				GCO				P								NOT VALIDATED	
KEY A W/O MAT SEAL, BLACK	33471-0431	A						GCO				P								SALEABLE	NOT VALIDATED
VOID KEY	33471-0430																				
KEY D W/ CPA, GREEN	33471-0429				D			GCP				P	M	CPA	1					NOT RECOMMENDED	SEE P/N 33471-0477
KEY C W/ CPA, BROWN	33471-0428				C			GCP				P	M	CPA	1					NOT RECOMMENDED	SEE P/N 33471-0476
KEY B W/ CPA, LT. GRAY	33471-0427			B				GCP				P	M	CPA	1						
KEY A W/ CPA, BLACK	33471-0426	A						GCP				P	M	CPA	1					SALEABLE	
VOID KEY	33471-0425																				
KEY D, GREEN	33471-0424				D			GCP				P	M		1					NOT RECOMMENDED	SEE P/N 33471-0475
KEY C, BROWN	33471-0423				C			GCP				P	M		1					NOT RECOMMENDED	SEE P/N 33471-0474
KEY B, LT. GRAY	33471-0422			B				GCP				P	M		1						
KEY A, BLACK	33471-0421	A						GCP				P	M		1					SALEABLE	
VOID KEY	33471-0420																				
KEY D W/ CPA, GREEN	33471-0419				D			GCP				P	M	CPA						NOT RECOMMENDED	SEE P/N 33471-0473
KEY C W/ CPA, BROWN	33471-0418				C			GCP				P	M	CPA						NOT RECOMMENDED	SEE P/N 33471-0472
KEY B W/ CPA, LT. GRAY	33471-0417			B				GCP				P	M	CPA							
KEY A W/ CPA, BLACK	33471-0416	A						GCP				P	M	CPA						SALEABLE	
VOID KEY	33471-0415																				
KEY D, GREEN	33471-0414				D			GCP				P	M							NOT RECOMMENDED	SEE P/N 33471-0471
KEY C, BROWN	33471-0413				C			GCP				P	M							NOT RECOMMENDED	SEE P/N 33471-0470
KEY B, LT. GRAY	33471-0412			B				GCP				P	M								
KEY A, BLACK	33471-0411	A						GCP				P	M							SALEABLE	
KEY C W/ CPA, BLACK	33471-0410				C			GCO				P	M	CPA							
KEY D W/ CPA, GREEN	33471-0409				D			GCO				P	M	CPA						NOT RECOMMENDED	SEE P/N 33471-0465
KEY C W/ CPA, BROWN	33471-0408				C			GCO				P	M	CPA						NOT RECOMMENDED	SEE P/N 33471-0464
KEY B W/ CPA, LT. GRAY	33471-0407			B				GCO				P	M	CPA							
KEY A W/ CPA, BLACK	33471-0406	A						GCO				P	M	CPA						SALEABLE	
VOID KEY	33471-0405																				
KEY D, GREEN	33471-0404				D			GCO				P	M							NOT RECOMMENDED	SEE P/N 33471-0463
KEY C, BROWN	33471-0403				C			GCO				P	M							NOT RECOMMENDED	SEE P/N 33471-0462
KEY B, LT. GRAY	33471-0402			B				GCO				P	M								
KEY A, BLACK	33471-0401	A						GCO				P	M							SALEABLE	

DESCRIPTION	COLOR	MATERIAL
RING SEAL	BURNT ORANGE	INHERENTLY LUBRICATED SILICONE
CPA	BRIGHT RED	PBT GF30
MAT SEAL	LIGHT BLUE	INHERENTLY LUBRICATED SILICONE
SHORTING BAR PLR	NATURAL	SPS/NYLON GF20
STANDARD PLR	NATURAL	SPS/NYLON GF20
ERGONOMIC GROMMET CAP, PLUGGED	BLACK	SPS/NYLON GF20
ERGONOMIC GROMMET CAP, OPEN	BLACK	SPS/NYLON GF20
STANDARD GROMMET CAP, PLUGGED	BLACK	SPS/NYLON GF20
STANDARD GROMMET CAP, OPEN	BLACK	SPS/NYLON GF20
HOUSING KEYING OPTION D	STONE GRAY	SPS/NYLON GF20
HOUSING KEYING OPTION C	DARK GRAY	SPS/NYLON GF20
HOUSING KEYING OPTION C	BLACK	SPS/NYLON GF20
HOUSING KEYING OPTION D	GREEN	SPS/NYLON GF20
HOUSING KEYING OPTION C	BROWN	SPS/NYLON GF20
HOUSING KEYING OPTION B	LIGHT GRAY	SPS/NYLON GF20
HOUSING KEYING OPTION A	BLACK	SPS/NYLON GF20

ABBREVIATION	COMPONENT
A	HOUSING KEY A
B	HOUSING KEY B
C	HOUSING KEY C
D	HOUSING KEY D
GCO	GROMMET CAP, STANDARD, OPEN
GCP	GROMMET CAP, STANDARD, PLUGGED
GCEO	GROMMET CAP, ERGONOMIC, OPEN
GCEP	GROMMET CAP, ERGONOMIC, PLUGGED
M	MAT SEAL
P	PLR, STANDARD
PS	PLR, SHRT. BAR LIFTER
R	RING SEAL
CPA	CPA

<b>ENTER DESCRIPTION</b> ELEC NO: UAU2017-0052 DRAWN BY: W2 DATE: 2016/07/22 CHKD: JDEMOZ APPR: JDEMOZ	QUALITY SYMBOLS ∇=0 ∇=0 ∇=0	GENERAL TOLERANCES (UNLESS SPECIFIED) mm INCH 4 PLACES ± --- ± --- 3 PLACES ± 0.10 ± --- 2 PLACES ± 0.3 ± --- 1 PLACE ± ± --- 0 PLACE ± ± ---	DIMENSION STYLE MM ONLY	SCALE METRIC	DESIGN UNITS METRIC	THIRD ANGLE PROJECTION	
	DRAFT WHERE APPLICABLE MUST REMAIN WITHIN DIMENSIONS		MATERIAL NO. SEE BOM	DOCUMENT NO. SD-33471-041	SHEET NO. 4 OF 6	TITLE MX150 1X4 RECEPTACLE SEALED ASSEMBLY MAT SEAL	
	APPROVED BY: W2		DATE: 2016/07/22	DATE: 2010/03/31	DATE: 2011/08/11	DATE: 2010/04/06	moxley
	THIS DRAWING CONTAINS INFORMATION THAT IS PROPRIETARY TO MOLEXY INCORPORATED AND SHOULD NOT BE USED WITHOUT WRITTEN PERMISSION						



