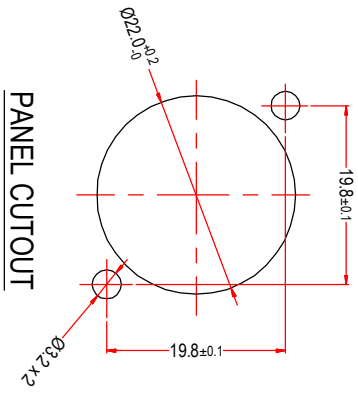
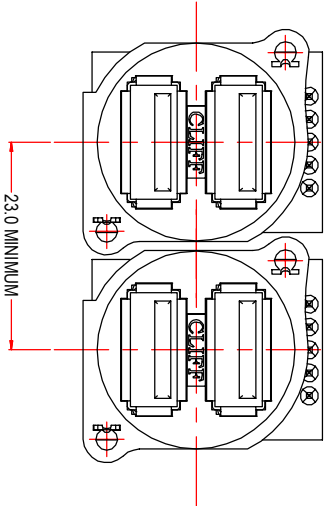
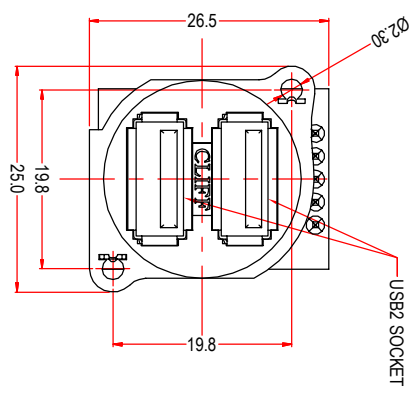
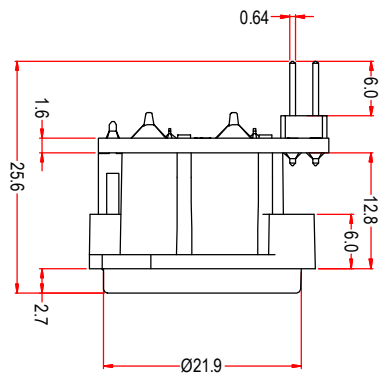
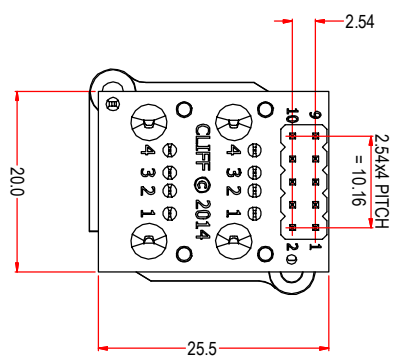


ISS	AMEND	DATE
1	ISSUED	26/03/2011



Pin No.	Header Pin
1	Vcc
2	Data -
3	Data +
4	Ground
USB Body	
1	Vcc
2	Data -
3	Data +
4	Ground
USB Body	

**ROHS COMPLIANT**

TOLERANCE  
 NO DEC. PLACE ±  
 1 DEC. PLACE ±  
 2 DEC. PLACE ±  
 HOLE Ø ±  
 ANGLES ±  
 UNLESS OTHERWISE STATED

**Cliff Electronic Components Ltd.**  
 76 Holmehorpe Avenue, Holmehorpe Industrial Estate,  
 Redhill, Surrey, RH1 2PF, England, UK  
 Tel: 01737-771375 Fax: 01737-766012 Website: www.cliffuk.co.uk

FINISH: SEE PART DRAWINGS  
 MATERIAL: SEE PART DRAWINGS  
 DIMENSIONS IN MILLIMETERS UNLESS OTHERWISE STATED. WORK TO DIMENSIONS. REMOVE ALL BURRS. IF IN DOUBT ASK  
 DRAWN: NJB APPROVED: DPJ

DRWG. No. **CP30092** TITLE: **XLR DUAL USB2.0 EARTHED WITH 2x5-WAY HEADER**  
 DO NOT SCALE  
 FORM: ADDRWG-

THE CONTENTS OF THIS DOCUMENT MUST NOT BE COPIED OR DISCLOSED TO A 3rd PARTY WITHOUT WRITTEN PERMISSION OF CLIFF UK © 2014