



Male connector

Item No.: 231-604



Male connector

Marking

RoHS ✓
Compliant

Business data

Supplier	WAGO
Item no.	231-604
GTIN / EAN	4044918256896
Content	1
Order amount	100
Customer item number	

Notes

Item description: Universal connection for all conductor types Easy cable pre-assembly and on-unit wiring via vertical and horizontal CAGE CLAMP® actuation For "wire-to-wire" and "board-to-wire" connections Coding option available

Technical data

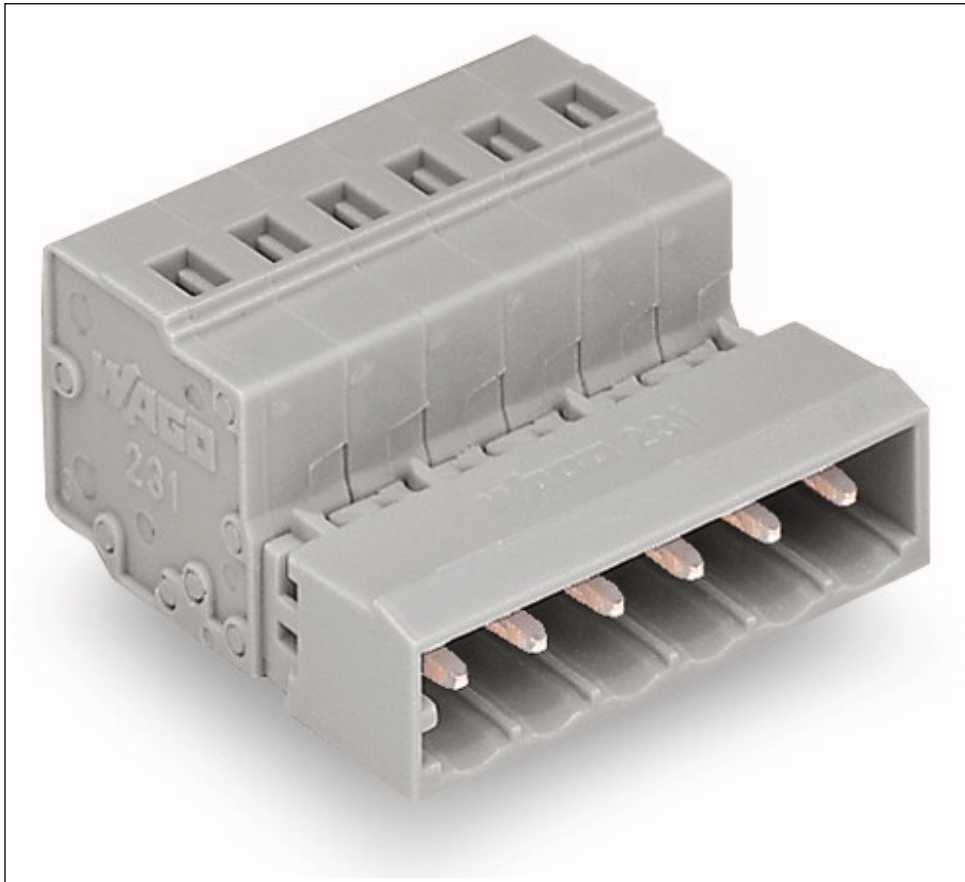
Miscellaneous

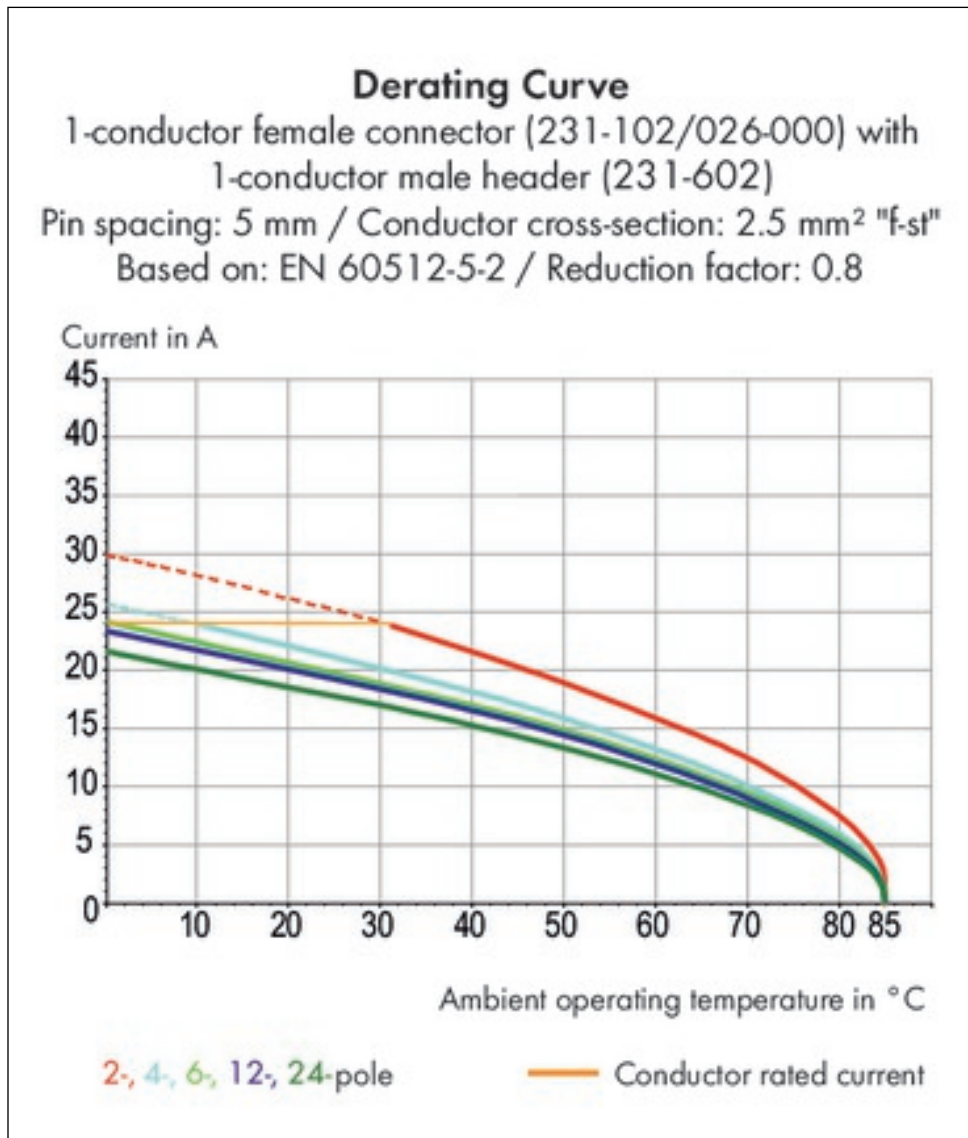
Packaging type	BOX
Ratings per	IEC/EN 60664-1
Rated voltage (III / 3) [V]	320 [V]
Rated impulse voltage (III / 3) [kV]	4 [kV]
Rated voltage (III/2) [V]	320 [V]

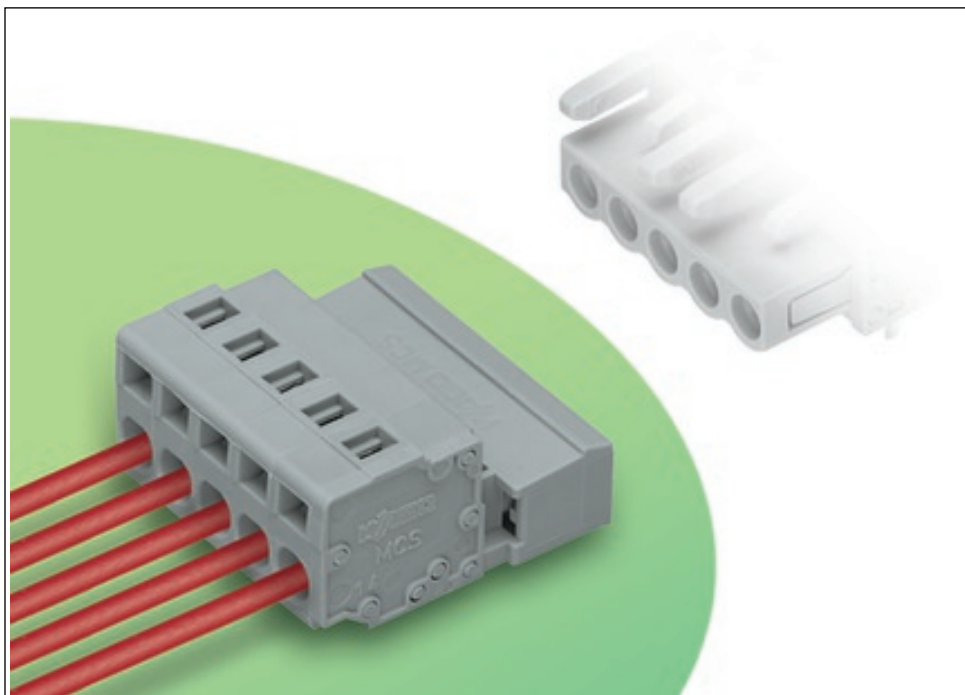
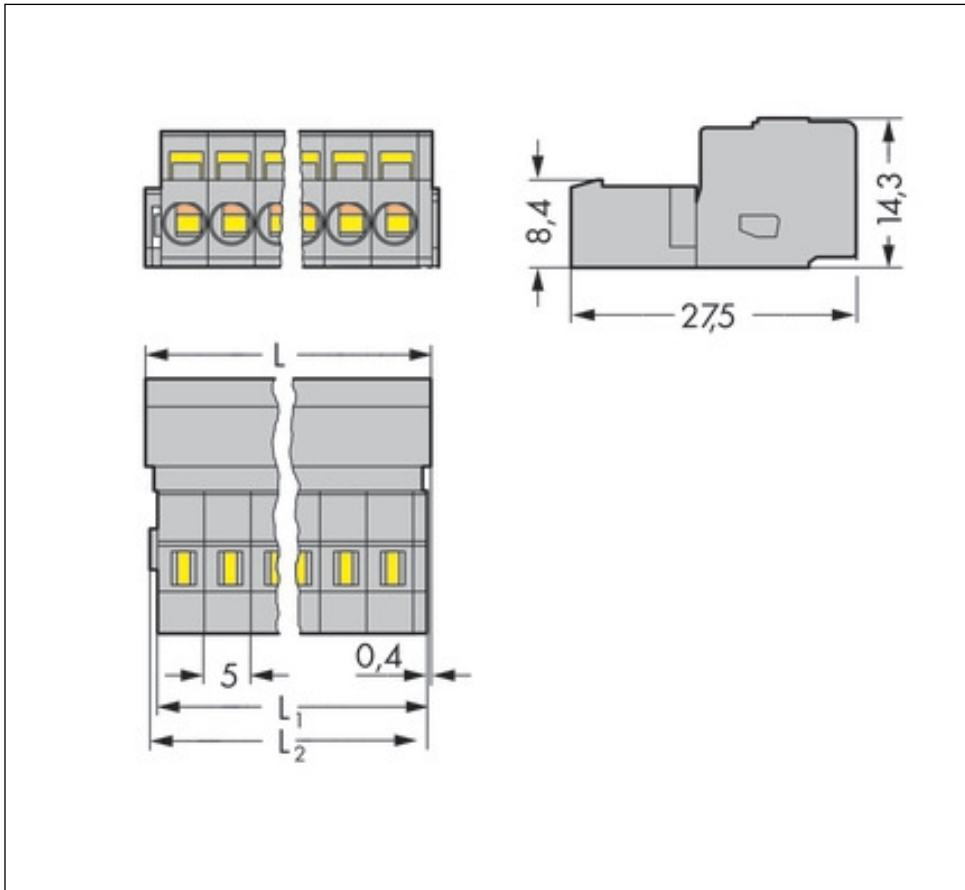
Technical data	
Rated impulse voltage (III / 2) [kV]	4 [kV]
Rated voltage (II / 2) [V]	630 [V]
Rated impulse voltage (II / 2) [kV]	4 [kV]
Rated current [A]	12 [A]
Legend (ratings)	(III / 2) Overvoltage category III / Pollution degree 2
Approvals per	UL 1059
Rated voltage UL (Use Group B) [V]	300 [V]
Rated current UL (Use Group B) [A]	15 [A]
Rated voltage UL (Use Group D) [V]	300 [V]
Rated current UL (Use Group D) [A]	10 [A]
Rated voltage CSA (Use Group B) [V]	300 [V]
Rated current CSA (Use Group B) [A]	15 [A]
Rated voltage CSA (Use Group D) [V]	300 [V]
Rated current CSA (Use Group D) [A]	10 [A]
No. of poles	4
Total number of connection points	4
Total number of potentials	4
Number of connection types	1
Number of levels	1
Connection technology	CAGE CLAMP®
Number of connection points (connection type)	1
Actuation type	Operating tool
Solid conductor	0.08 ... 2.5 mm ² / 28 ... 12 AWG
Fine-stranded conductor	0.08 ... 2.5 mm ² / 28 ... 12 AWG
Fine-stranded conductor with ferrule with plastic collar	0.25 ... 1.5 mm ² / ...
Fine-stranded conductor with ferrule without plastic collar	0.25 ... 2.5 mm ² / ...
Strip length	8 ... 9 mm / 0.31 ... 0.35 Inch
Pin spacing	5 mm (0.197 in)
Width	23.2 mm / 0.913 Inch
Height	14.3 mm / 0.563 Inch
Depth	27.5 mm / 1.083 Inch
Contact type (pluggable connector)	Male connector/plug
Connector connection type	for conductors
Mismating protection	nein
Color	gray

Technical data	
<i>Material group</i>	<i>I</i>
<i>Insulating material</i>	<i>Polyamide 66 (PA 66)</i>
<i>Flammability class per UL94</i>	<i>V0</i>
<i>Clamping spring material</i>	<i>Chrome nickel spring steel (CrNi)</i>
<i>Contact material</i>	<i>Electrolytic copper (Ecu)</i>
<i>Contact plating</i>	<i>tin-plated</i>
<i>Fire load [MJ]</i>	<i>0.114 [MJ]</i>
<i>Weight [g]</i>	<i>6.26 [g]</i>
<i>Limit temperature range</i>	<i>-60 ... 100 °C</i>

Images & drawings







Address

WAGO Kontakttechnik GmbH & Co. KG

Hansastr. 27

32423 Minden

Telefon: 0571/887-0

Fax: 0571/887-169

<http://www.wago.com>

© WAGO Kontakttechnik GmbH & Co. KG

Technische Änderungen und Irrtümer vorbehalten.