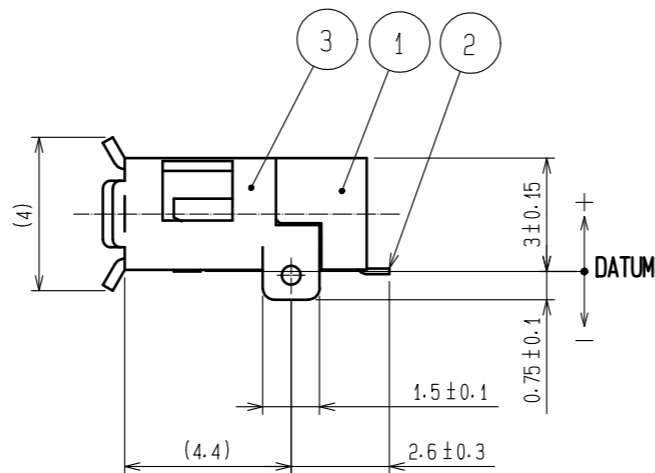
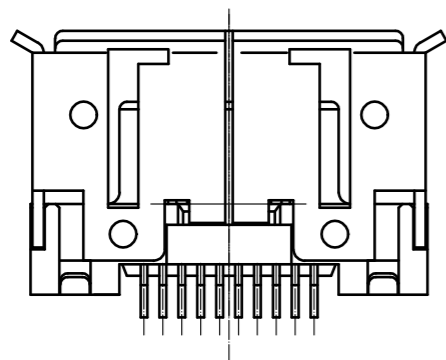
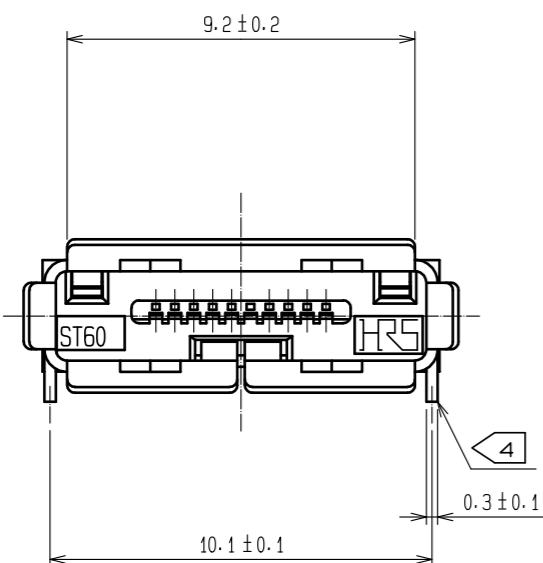
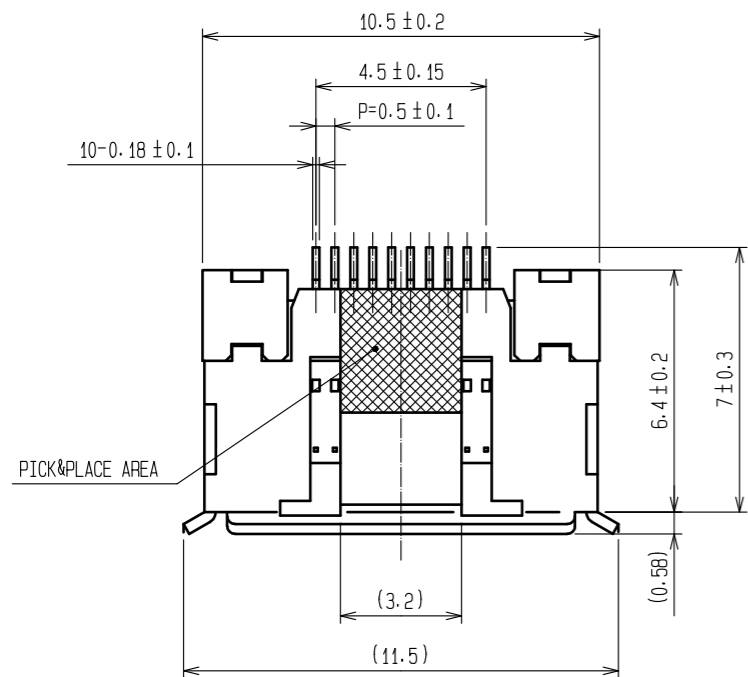
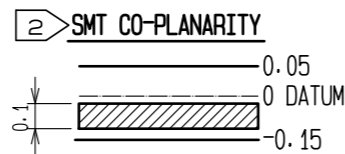


Oct.1.2018 Copyright 2018 HIROSE ELECTRIC CO., LTD. All Rights Reserved.
 In case that the application demands a high level of reliability, such as automotive,
 please contact a company representative for further information.

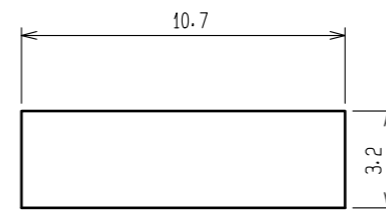


NOTE 1 1 REEL : 1500 PIECES.
 2 CO-PLANARITY SPECIFICATION AS FIG SHOWN IN THE UNDER.
 3 CONTACT AREA: GOLD PLATED 0.2μm MIN.
 MOUNTING AREA: GOLD PLATED FLASH.
 UNDER PLATING: NICKEL PLATED 2μm MIN.



4 MANUAL SOLDERING OF THROUGH HOLE DIP IS NOT ACCEPTABLE.

PANEL CUTOUT(4:1)



PATTERN OF MOUNTING PLUG(4:1)

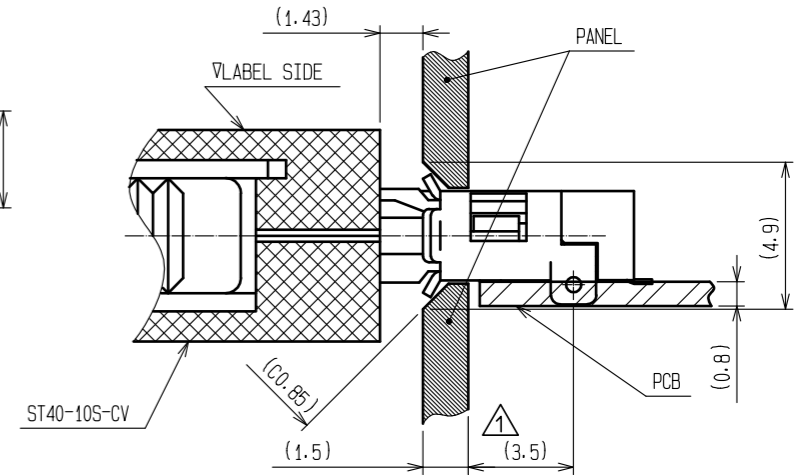
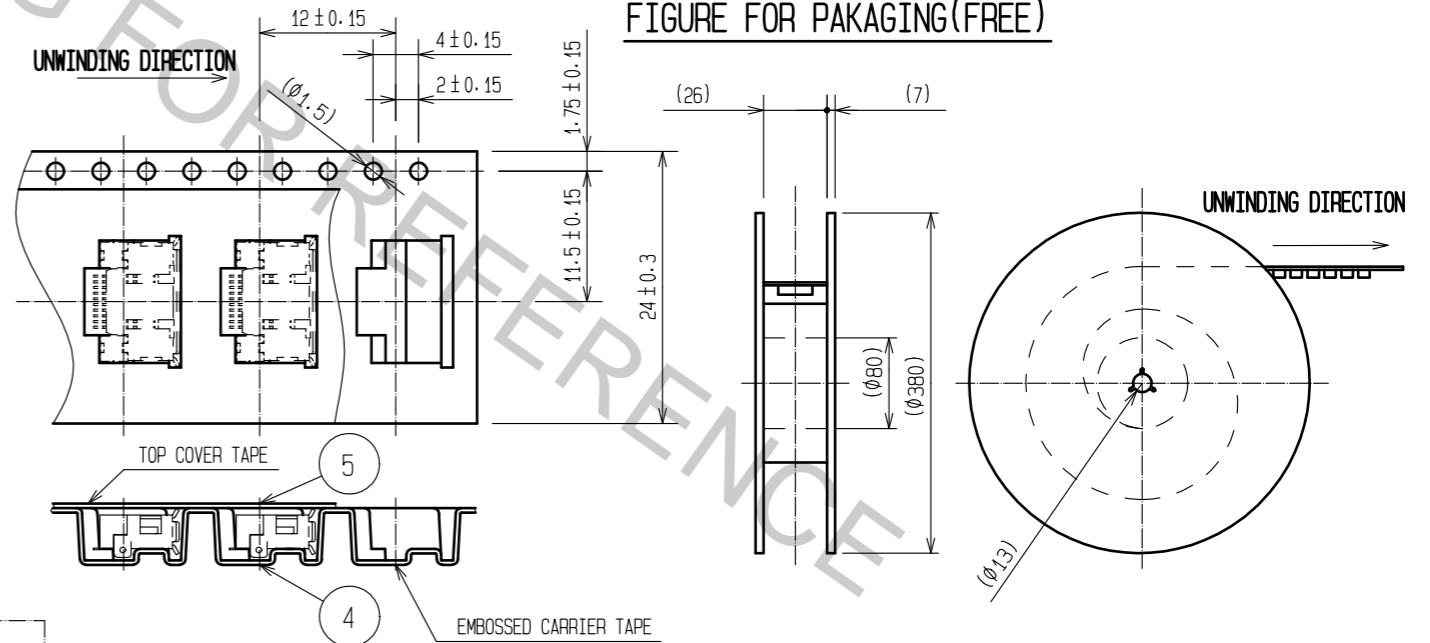


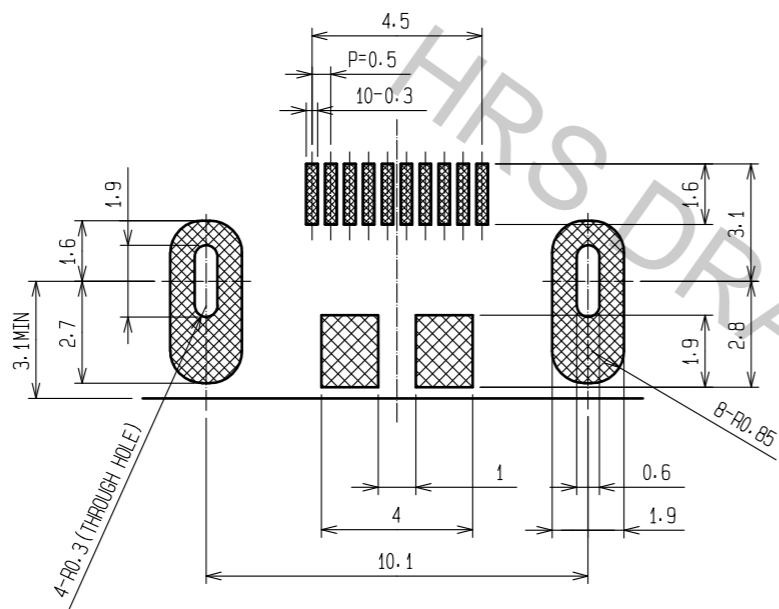
FIGURE FOR PAKAGING(FREE)



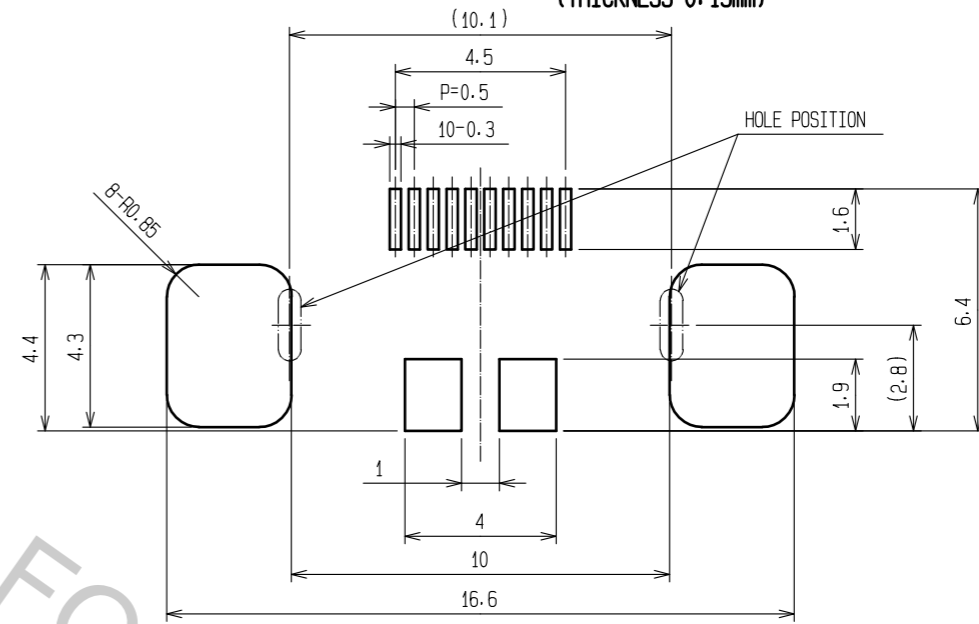
2	COPPER ALLOY		3	PE	TOP COVER TAPE		
1	LCP	BLACK UL94V-0	4	PS	EMBOSSD CARRIER TAPE		
			3	STAINLESS STEEL	TIN PLATED		
NO.	MATERIAL	FINISH . REMARKS	NO.	MATERIAL	FINISH . REMARKS		
UNITS mm	⊙	SCALE 5 : 1	COUNT 1	DESCRIPTION OF REVISIONS DIS-E-00001453	DESIGNED MO. SHIMOYAMA	CHECKED AH. KODAMA	DATE 18. 04. 12
APPROVED : NM. NISHIMATSU 15. 10. 27			DRAWING NO. EDC-124149-30-00				
CHECKED : KN. ICHIKAWA 15. 10. 27			PART NO. ST60-10P(30)				
DESIGNED : TS. ITO 15. 10. 27			CODE NO. CL241-0022-5-30				
DRAWN : AK. AKIYAMA 15. 10. 27			1/2				

Oct.1.2018 Copyright 2018 HIROSE ELECTRIC CO., LTD. All Rights Reserved.
 In case that the application demands a high level of reliability, such as automotive,
 please contact a company representative for further information.

6 RECOMMENDED PC BOARD PATTERN



5 RECOMMENDED METAL MASK DESIGN
 (THICKNESS=0.15mm)



- 5 REFER TO THE RECOMMENDED METAL MASK DESIGN.
- 6 RECOMMENDED PC BOARD PATTERN
- : COPPER FOIL+SOLDER LEVELER

HRS	DRAWING NO.	EDC-124149-30-00	2/2
	PART NO.	ST60-10P(30)	
	CODE NO.	CL241-0022-5-30	