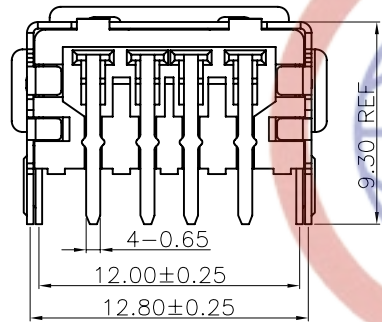
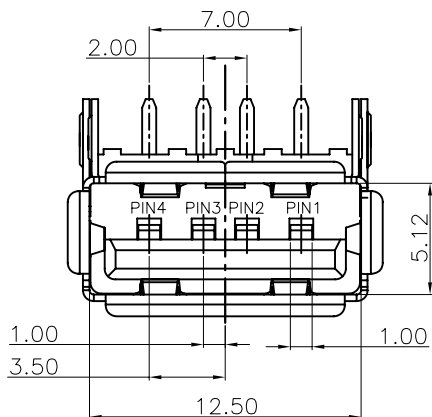
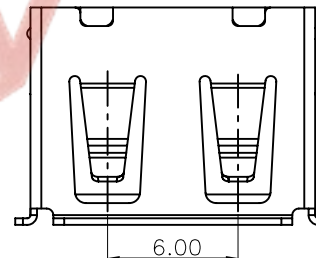
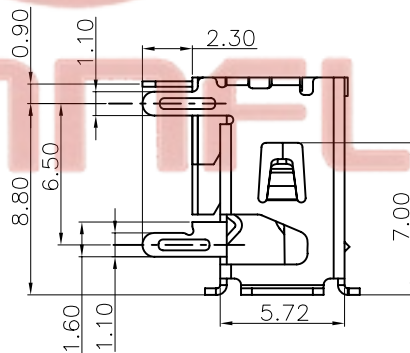
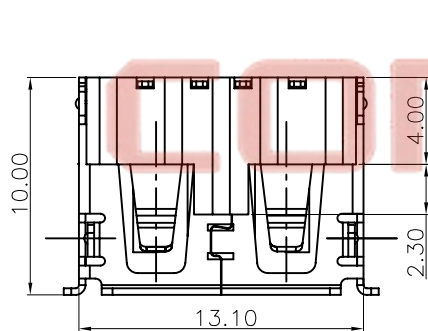
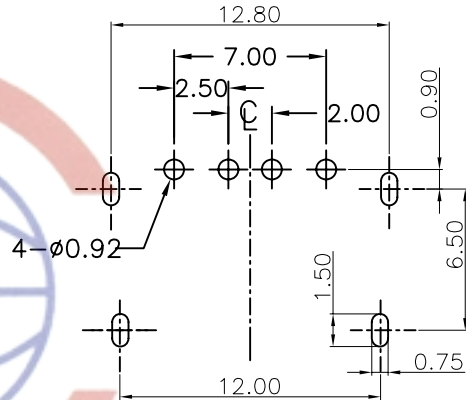


REV.	DESCRIPTION	DRAWN	CHECKED	APPROVED
A	NEW RELEASE	LJC 12/20/07'		



RECOMMENDED PCB LAYOUT(TOP VIEW)
GENERAL TOLERANCES:±0.05



NOTE:

1. Material:

Housing: Thermoplastics,UL94V-0
Contact: Copper Alloy
Shell: Copper Alloy

2. Specification:

2.1: Rated current: 1.5 A
Insulation Resistance:
1000MΩ Min. at 500V/DC for 1Minute.
Withstanding voltage: 500 VAC/minute
Contact Resistance: 30 mohms Max.
2.2: MECHANICAL
Mating force: 35N(3.57kgf) Max.
Unmating force(Without lock):10N(1.02kgf) Min.
Durability: 1500 cycles Min.

3. PRODUCT NUMBER CODE:

DS1095-06 - X X X X

CONTACT PLATING
0: Selective gold flash
03: Selective gold 3u"
30: Selective gold 30u"

MOUNTING TYPE
R: RIGHT ANGLE

SHELL PLATING:
N: Nickel
6: Tin

COLOR OF HOUSING:
W: White
B: Black

SERIES No.
DS1095-06

Tel:86-574-63508787
Fax:86-574-63510817
E-mail:sale@zhenqin.com.cn
Http://www.connfly.com

GENERAL TOLERANCE		ANGLE TOLERANCE	
X.	±0.60	X.	±5°
.X	±0.38	.X	±3°
.XX	±0.25	.XX	±2°

PROJECTION	TITLE	USB Female A TYPE SMT series	
		SERIES	DS1095-06 SERIES
UNITS	mm		
SHEET SIZE	A4		

DRAWING TYPE	CUSTOMER		
SCALE	1:1	SHEET	1 OF 1
DRAWING NO.	C-DS1095-06-XXXX		

晨翔电子有限公司
CONNFLY CONNFLY ELECTRONIC CO. LTD