

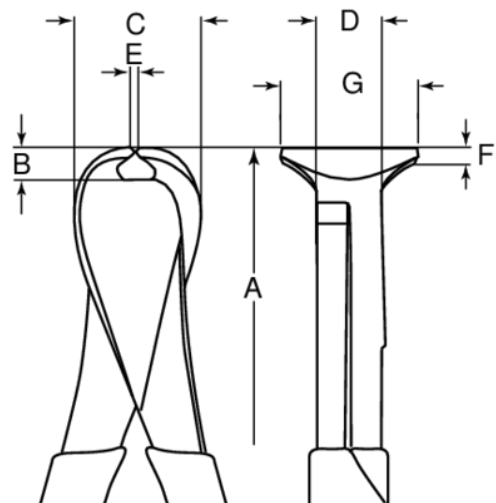


## 527V VDE Insulated End Cutting Pliers



### PRODUCT DETAILS


- Dip-coated insulation
- 3 layer safety colour code insulation
- For working on live equipment up to 1000 volts acc. to IEC 60900
- High performance alloy steel
- Chrome plated and anti-corrosion treated finish
- Standards: ISO 5748
- 3 Multi-layer coating with different colours indicating safety, danger or high danger. Plus a 4th one in black to further protect handle edges
- This provides protection as well as creating a visual warning system
- If the outer insulation layer gets damaged, the lighter colour underneath will become visible and warn the user
- Each and every tool is tested to 10.000V for 10 seconds at the end of the manufacturing cycle



Follow the Fish!



## PRODUCT ATTRIBUTES

Product	<b>A</b>	<b>B</b>	<b>C</b>	<b>D</b>	<b>E</b>	<b>F</b>	<b>G</b>	
<b>527V-160</b>	160 mm	7 mm	26.5 mm	11 mm	3.0 mm	3 mm	21 mm	270 g
<b>527V-200</b>	200 mm	7 mm	35 mm	35 mm	13 mm	3 mm	30 mm	320 g

