

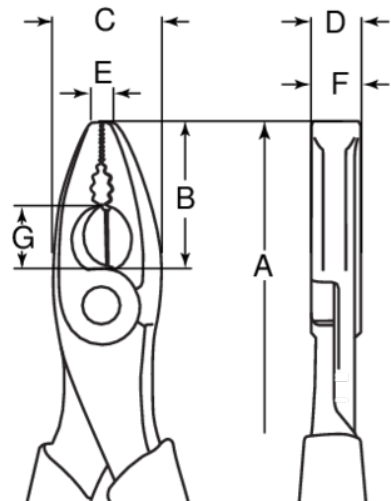


2678V
VDE Insulated Combination Pliers



PRODUCT DETAILS



- Dip-coated insulation
- 3-layer safety colour code insulation
- For working on live equipment up to 1000 V according to IEC 60900
- High performance alloy steel
- Chrome plated and anti-corrosion treated finish
- Standards: ISO 5749
- 3 Multi-layer coating with different colours indicating safety, danger or high danger. Plus a 4th one in black to further protect handle edges
- This provides protection as well as creating a visual warning system
- If the outer insulation layer gets damaged, the lighter colour underneath will become visible and warn the user
- Each and every tool is tested to 10.000V for 10 seconds at the end of the manufacturing cycle



Follow the Fish!



PRODUCT ATTRIBUTES

Product	A	B	C	D	E	F	G		
2678V-160	160 mm	33 mm	23 mm	11 mm	6 mm	11 mm	12 mm	2.7 mm	255 g
2678V-180	180 mm	36 mm	26 mm	13 mm	8 mm	11.5 mm	13 mm	3.0 mm	348 g
2678V-200	200 mm	39 mm	28 mm	12 mm	9 mm	12 mm	14 mm	4.0 mm	350 g

Follow the Fish!

