

Feature Stories

Heavy Duty & Off-Highway Vehicles Emissions Standards Guides

[Find by Feature](#)
[Browse by Category](#)
[Share](#)
 [Search →](#)

Part number or keyword

[Search Results \(0\)](#) [Search Options](#)

Select a product type to narrow your search:

Terminal

Results with your selections: --

Blade size [mm]

Terminal family

Material

Plating

Gender

Sealed

Inside Ring Diameter [mm]

Outside Ring Diameter [mm]

Minimum Cable Core Cross Section [mm²]

Maximum Cable Core Cross Section [mm²]

Minimum Cable Diameter [mm]

Maximum Cable Diameter [mm]

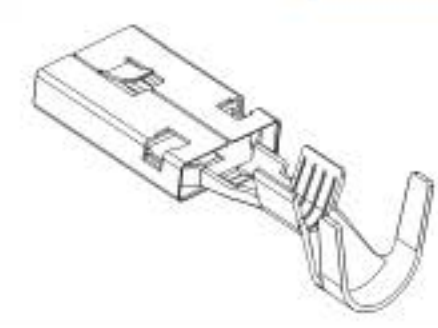
Minimum Cable Diameter [mm]

Maximum Cable Diameter [mm]

[Clear](#) [Search →](#)

Female Ducon 6.3 Tin Plated Terminal, Cable Range 6.00 - 4.00 mm², Cable Insulation Range 4.30 - 3.40 mm

Part #12147474



Question about this product?

[Attributes](#) [Documents \(7\)](#)

Part #:	12147474
Description:	Female Ducon 6.3 Tin Plated Terminal, Cable Range 6.00 - 4.00 mm ² , Cable Insulation Range 4.30 - 3.40 mm
Product Type:	Terminal
Status:	Active
Blade size [mm]:	6.3
Terminal family:	Ducon
Series:	6.3
Gender:	Female
Sealed:	Sealed
Plating:	Tin
Minimum Cable Core Cross Section [mm²]:	4.00
Maximum Cable Core Cross Section [mm²]:	6.00
Minimum Cable Diameter [mm]:	3.40
Maximum Cable Diameter [mm]:	4.30
Current range [A]:	55