

PLEASE CHECK WWW.MOLEX.COM FOR LATEST PART INFORMATION

Part Number: [1050570005](#)
Status: **Active**
Overview: [USB Products and Solutions](#)
Description: Universal Serial Bus (USB) Shielded I/O Type A Receptacle, Vertical, 0.76µm Gold (Au) Plating, Solder Tail Length 2.40mm, with 3 Straight Solder Tabs, Tray

Documents:

3D Model	Packaging Specification PK-105057-005 (PDF)
Drawing (PDF)	Test Summary TS-105057-001-001 (PDF)
Product Specification PS-105057-001-001 (PDF)	RoHS Certificate of Compliance (PDF)

General

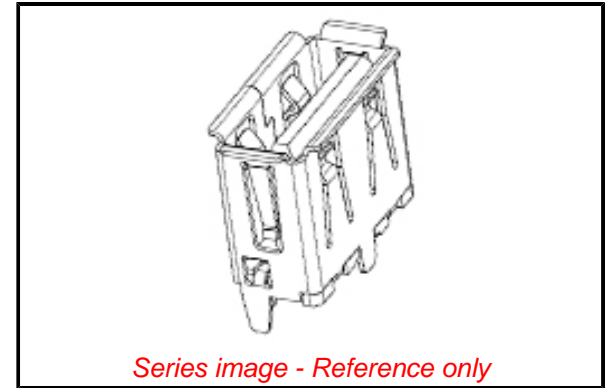
Product Family	I/O Connectors
Series	105057
Application	Wire-to-Board
Component Type	Receptacle
Overview	USB Products and Solutions
Product Name	USB 2.0
Type	A
UPC	883906159986

Physical

Circuits (Loaded)	4
Circuits (maximum)	4
Color - Resin	Black
Durability (mating cycles max)	20000
Gender	Female
Keying to Mating Part	Yes
Lock to Mating Part	Yes
Material - Metal	Copper Alloy
Material - Plating Mating	Gold
Material - Plating Termination	Matte Tin
Material - Resin	High Temperature Thermoplastic
Net Weight	1.160/g
Number of Rows	1
Orientation	Vertical
PC Tail Length	2.40mm
PCB Locator	Yes
PCB Retention	Yes
PCB Thickness - Recommended	1.60mm
Packaging Type	Tray
Panel Mount	No
Pitch - Mating Interface	2.00mm, 2.50mm
Pitch - Termination Interface	2.00mm, 2.50mm
Plating min - Mating	0.760µm
Plating min - Termination	3.810µm
Polarized to Mating Part	Yes
Polarized to PCB	Yes
Ports	1
Surface Mount Compatible (SMC)	Yes
Temperature Range - Operating	-40° to +85°C
Termination Interface: Style	Through Hole
Waterproof / Dustproof	No

Electrical

Current - Maximum per Contact	1.5A
Grounding to Panel	Yes



EU ELV

Not Relevant

EU RoHS

Compliant

REACH SVHC

Not Contained Per -
ED/71/2019 (16 July
2019)

Halogen-Free

Status

Low-Halogen

For more information, please visit [Contact US](#)

China ROHS

ELV

RoHS Phthalates

China RoHS

Green Image

Not Relevant

Not Contained

Search Parts in this Series

[105057 Series](#)

Shield Type	Full Shield
Shielded	Yes
Voltage - Maximum	30V AC (RMS)/DC

Material Info

Reference - Drawing Numbers

Electrical Model Document	EE-105057-001
Packaging Specification	PK-105057-005
Product Specification	PS-105057-001-001
Sales Drawing	SD-105057-005
Test Summary	TS-105057-001-001

This document was generated on 09/19/2019

PLEASE CHECK WWW.MOLEX.COM FOR LATEST PART INFORMATION