

T H E R M O M E T R I C S  
A C O M M I T M E N T T O E X C E L L E N C E

# Active Incar Sensor



This sensor indicates temperature in the cabin of passenger cars. Since it uses a fan to continuously draw air past the thermistor for an accurate temperature reading, it requires no venturi tube.

## Applications

- Fully automated temperature control systems
- Active motor temperature sensors

## Features

- Easy to attach and repair
- High sensitivity and low noise
- Wide applications

**Amphenol**  
**Advanced Sensors**

# Incar Sensor Specifications

## Resistance (kS)

- R @ 59°F (15°C) = 4.441 ±2.87%
- R @ 77°F (25°C) = 2.795 ±2.50%
- R @ 95°F (35°C) = 1.805 ±2.86%

## Thermal Time Constant

Maximum 10 seconds

## Operating Temperature Range

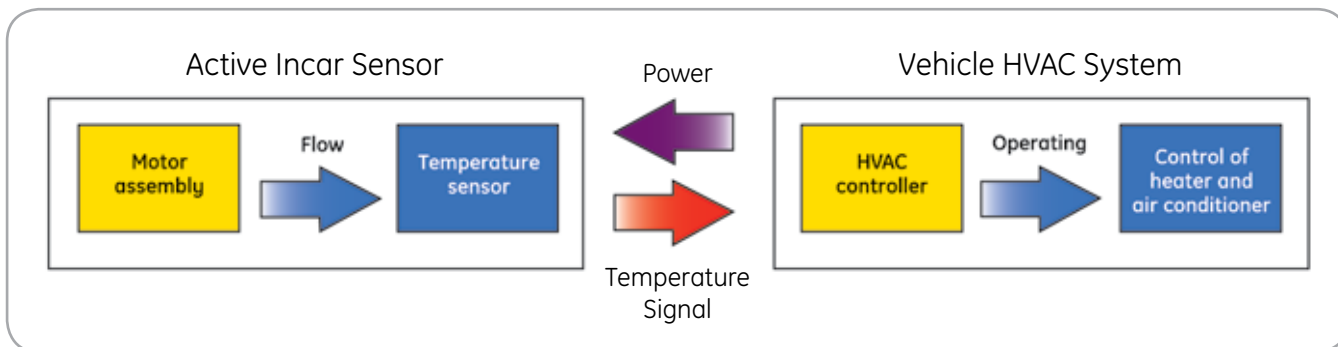
-40°F to 190°F (-40°C to 88°C)

## Noise

Maximum 35 dB (50 to 20 KHz)



## Block Diagram



**Amphenol**  
Advanced Sensors

[www.amphenol-sensors.com](http://www.amphenol-sensors.com)

© 2014 Amphenol Corporation. All Rights Reserved. Specifications are subject to change without notice. Other company names and product names used in this document are the registered trademarks or trademarks of their respective owners.

AAS-920-141A-04/2014