

# NTC Type JI/JIC

## Waterproof IP68 Temperature Sensor

### Overmolded NTC Thermistor



NTC Type JI



NTC Type JIC

**Type JI:** The NTC thermistor is molded onto a flexible circular cable. The tip and outer cable insulation material is thermoplastic elastomer rubber. The tinned copper conductors have individual polypropylene insulation.

**Type JIC:** The NTC thermistor is molded onto a flexible circular cable housed in stainless steel. The tip and outer cable insulation material is thermoplastic elastomer rubber. The tinned copper conductors have individual polypropylene insulation.

### Features

- Waterproof to IP68
- Withstands freeze/thaw cycling
- Range of wire lengths 300 mm to 5000 mm (11.8 in to 16.4 ft)
- Halogen-free cable
- Sensor tip and extension cable molded together as one hot vulcanised unit
- RoHS compliant

### Applications

- Ventilation
- Refrigeration
- Heat pumps
- Water heaters
- Weather stations
- Outdoor temperature measurement
- Under-floor heating
- Fish tanks
- Evaporators

### Options

- Other resistance - temperature characteristics
- Other wire lengths
- Other housing lengths

**Amphenol**  
**Advanced Sensors**

# NTC Type JI/JIC Specifications

**Temperature Range:** -50°C to +105°C (-58°F to 221°F)  
continuous (125°C/257°F up to maximum 6 hours)

**Dielectric Strength:** 3750V AC

**Insulation Resistance:** >100MΩ at 1000V DC

**Cable Type:** 2 x 0.30 mm<sup>2</sup> (23 AWG)

**Wire Conductors:** 7 x 0.23 mm diameter (0.30 mm<sup>2</sup>)

	NK103C1R2	DC95F103WN
R25°C (R77°F)	10kΩ ± 2%	10kΩ
Tolerance 0°C - 70°C		±0.2°C
B value 25/85°C (R77/185°F)	3977K	3969K
Material	1	F

For complete RVT Table, refer to document AAS-913-318.

## Ordering Information

Resistance characteristics and wire length are specified by the product code as per the table below:

### Code Assembly Type

JI Double-insulated sensor with rubber tip  
JIC Double-insulated sensor with Stainless Steel housing

### Code Thermistor Type

103C1R2 NK103C1R2  
F103W DC95F103WN

### Code

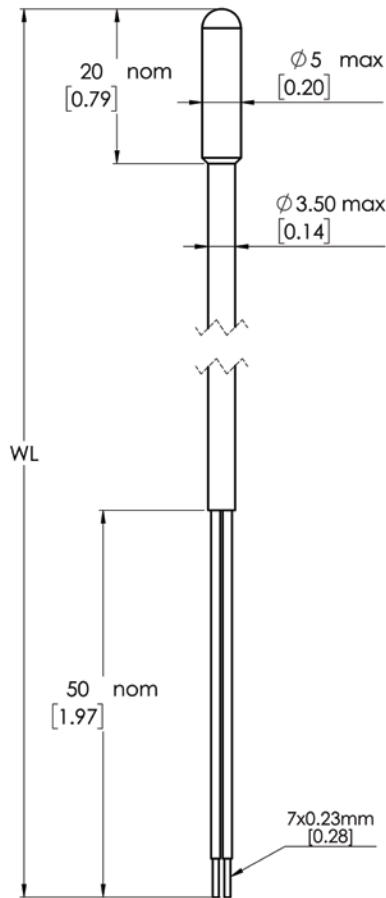
L301  
L102  
L252

### Wire Length mm (in)

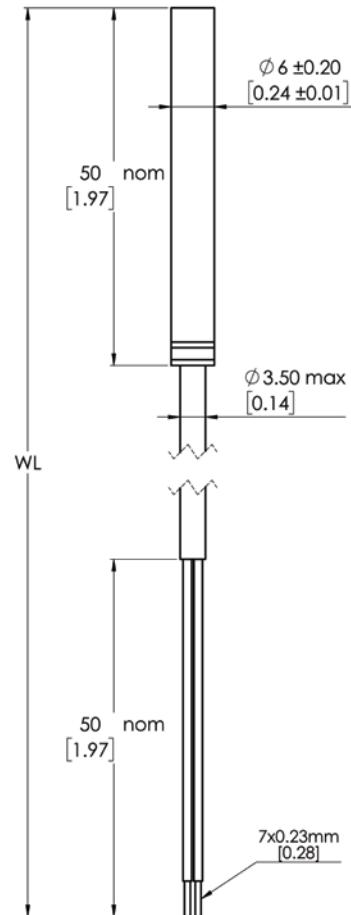
300 (11.8) ± 10 (0.4)  
1000 (39.4) ± 20 (0.8)  
2500 (98.4) ± 50 (2.0)

\_\_\_\_ - \_\_\_\_ - \_\_\_\_ **Typical Model Number**

Other wire lengths are available for quantities > 5000 pieces.



NTC Type JI - Dimensions



NTC Type JIC - Dimensions