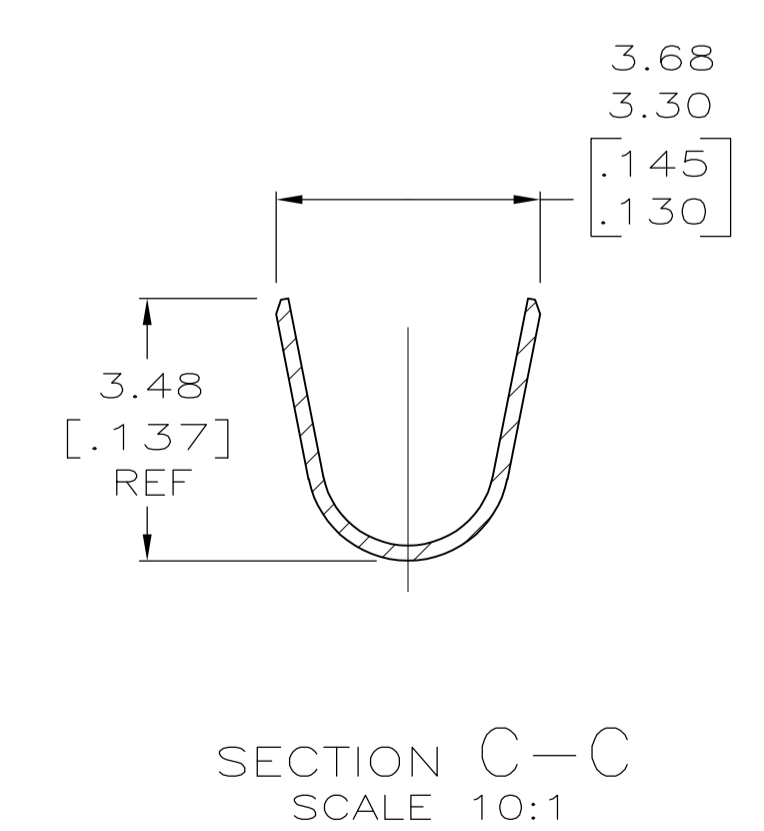
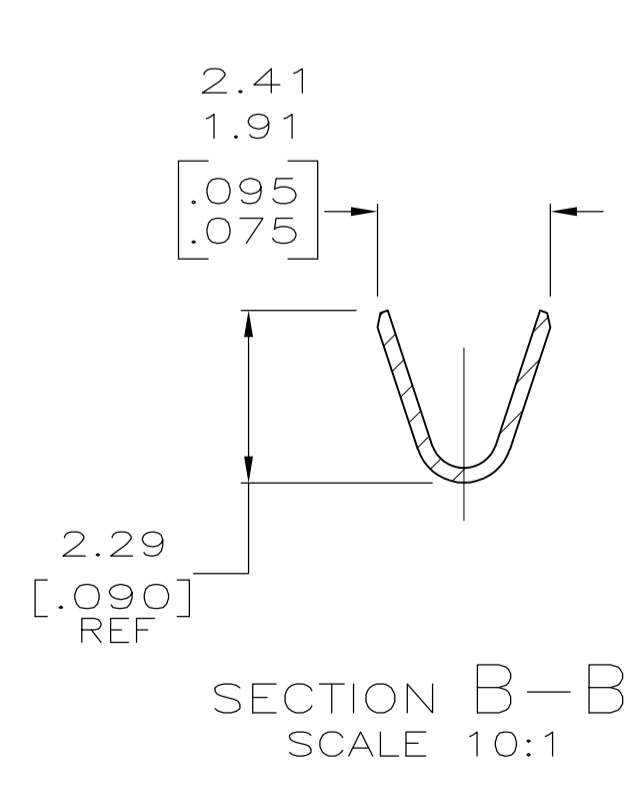
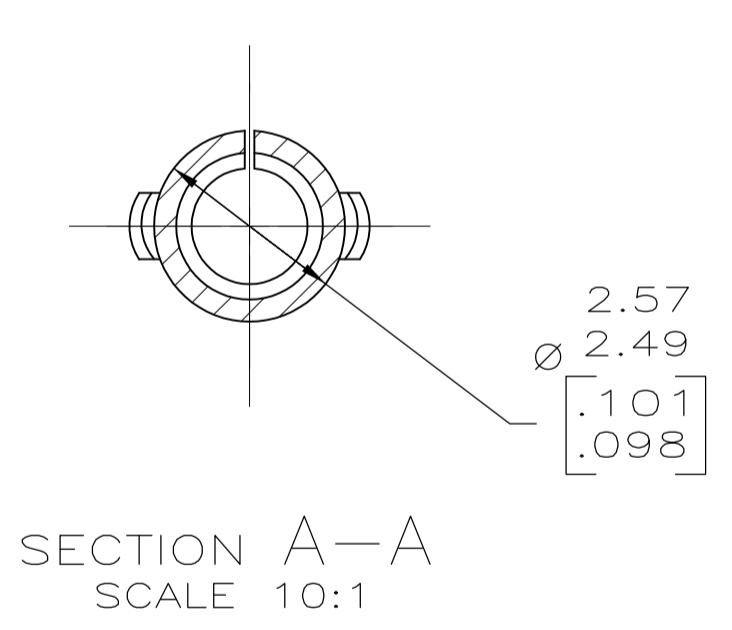
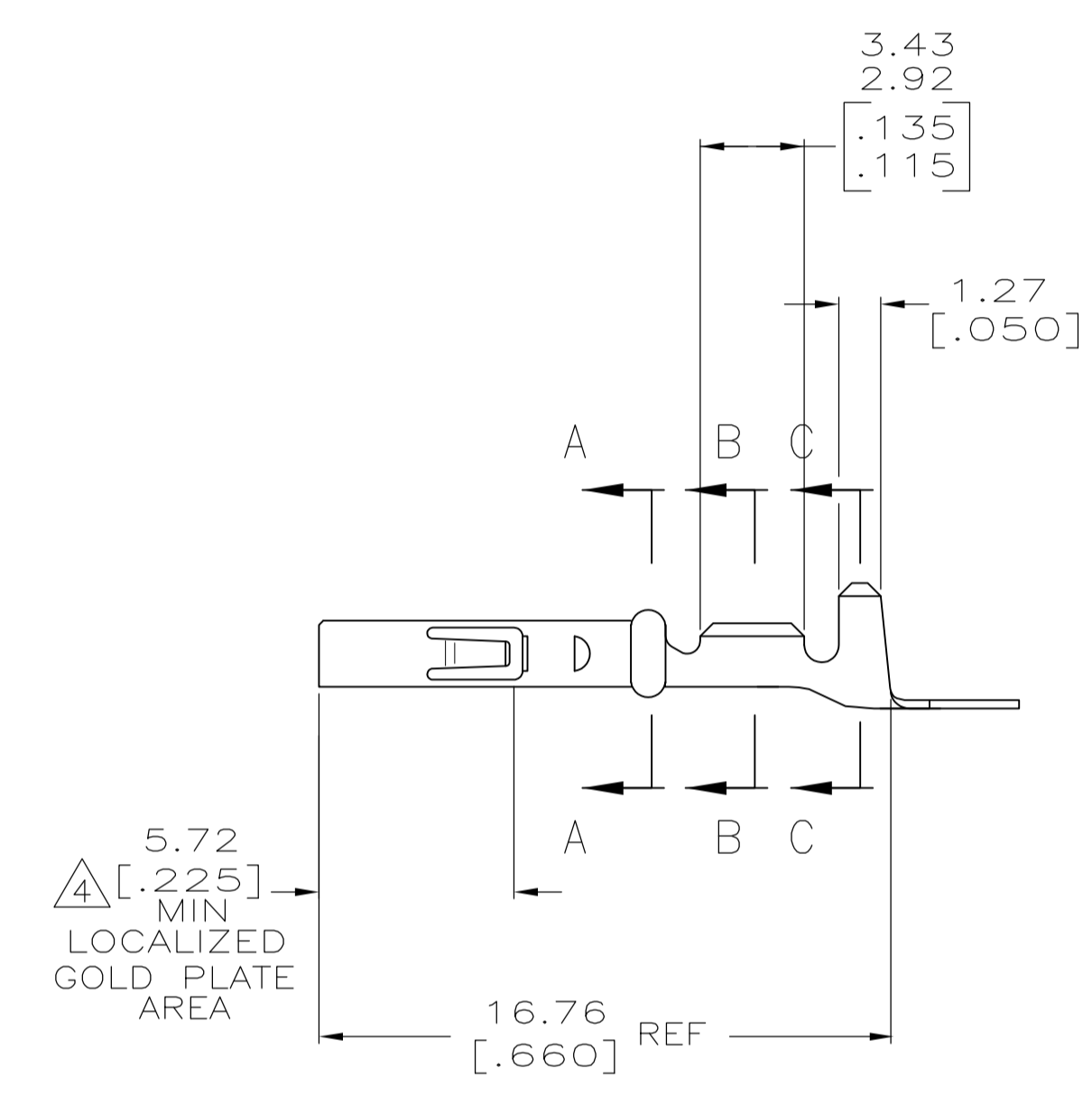
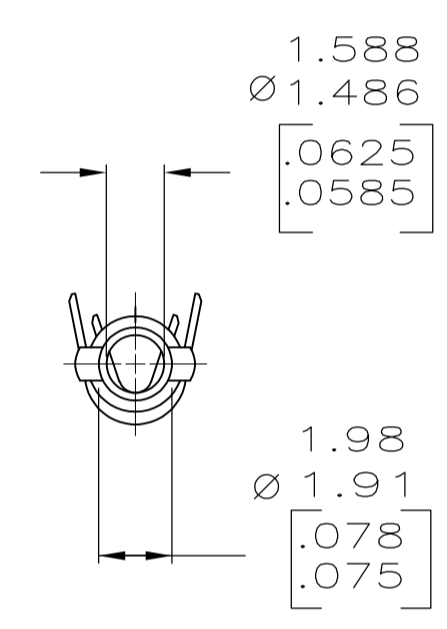
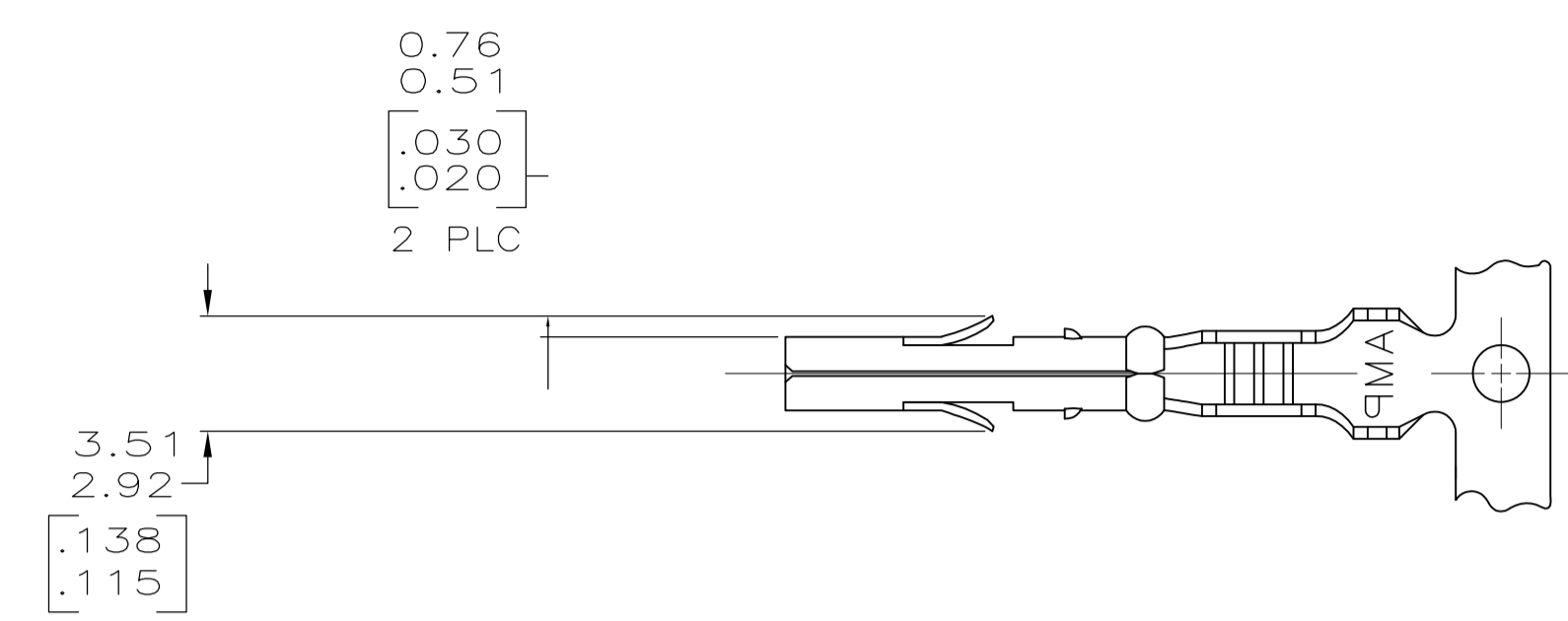


LOC		DIST		REVISIONS			
P	LTR	DESCRIPTION	DATE	DMN	APVD		
E2		REVISED PER ECO-11-004820	11MAR11	RK	HMR		

- 1 WIRE RANGE: 0.12-0.9mm² (26-18 AWG).
- 2 INSULATION RANGE: 1.27-2.92 [.050-.115] MAX. DIA.
- 3 DIMENSIONS IN BRACKETS ARE IN INCHES.
- 4 Δ PLATE INTERNALLY WITH 0.00076 [.000030] MIN GOLD IN THE LOCALIZED GOLD PLATE AREA, GOLD FLASH ON THE REMAINDER, OVER 0.00127 [.000050] MIN NICKEL UNDERPLATE.



Δ GOLD STRIPE	0.20 [.008] PHOS BRZ	641294-2
PRE-TIN	0.20 [.008] PHOS BRZ	641294-1
FINISH	MATERIAL	PART NO

THIS DRAWING IS A CONTROLLED DOCUMENT.		DIN 9-28-94	K. SALMON	
DIMENSIONS: mm [INCHES]		9-28-94	CHK: R. SWING	
TOLERANCES UNLESS OTHERWISE SPECIFIED:		APVD: -	NAME: MR RECEPTACLE	
0 PLC	± -	PRODUCT SPEC: -		
1 PLC	± -	APPLICATION SPEC: -		
2 PLC	± -	SIZE: A1		
3 PLC	± 0.13 [.005]	CAGE CODE: 00779		
4 PLC	± -	DRAWING NO: 641294		
ANGLES	± -	RESTRICTED TO: -		
MATERIAL: SEE TABLE	FINISH: SEE TABLE	WEIGHT: -	SCALE: 5:1	
CUSTOMER DRAWING		SHEET 1 OF 1		REV E2

METRIC

Mouser Electronics

Authorized Distributor

Click to View Pricing, Inventory, Delivery & Lifecycle Information:

[TE Connectivity:](#)

[641294-2](#)